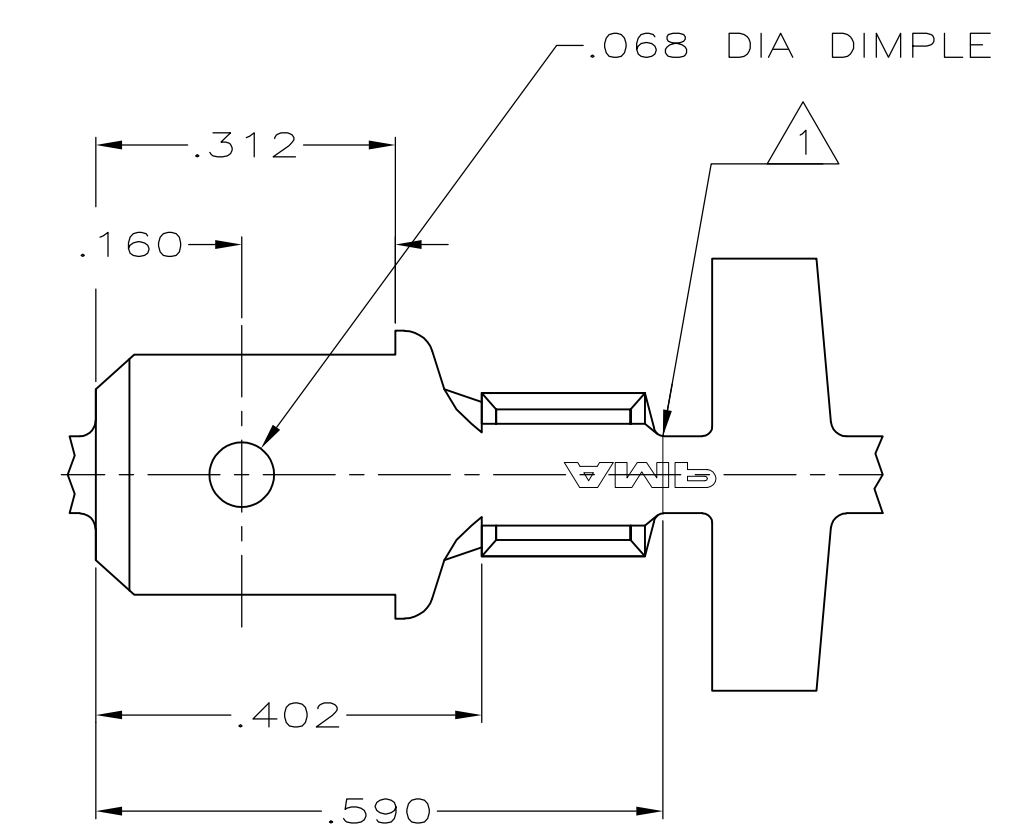
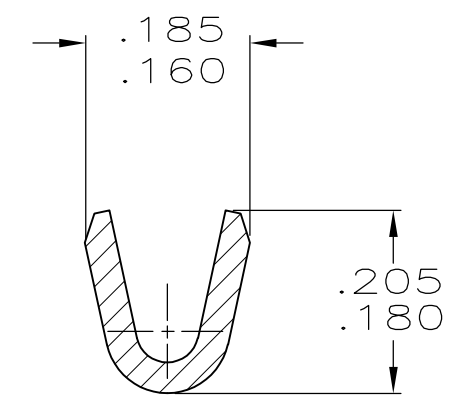


THIS DRAWING IS UNPUBLISHED. RELEASED FOR PUBLICATION
 © COPYRIGHT - By - ALL RIGHTS RESERVED.

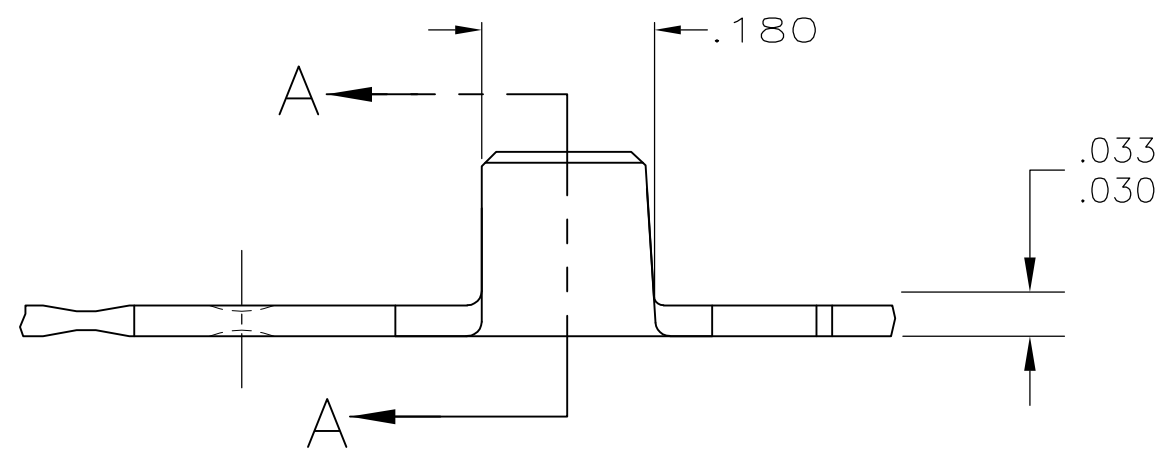
LOC	DIST	REVISIONS			
P	LTR	DESCRIPTION	DATE	DWN	APVD
AF	50	J	REVISED PER ECR-13-011489	05DEC2013	KH PD



- 1 CUT-OFF IN APPLICATOR
- 2 CONTINUOUS STRIP ON REELS.
- 3 WIRE SIZE TO BE #18-#14 AWG.



SECTION A-A



61367-3
 PART NO.

THIS DRAWING IS A CONTROLLED DOCUMENT.		DWN	JR RUTH	4/1/96	TE Connectivity			
DIMENSIONS: INCHES		CHK	MS FEHER	4/1/96				NAME V KARABCIEVSKY
TOLERANCES UNLESS OTHERWISE SPECIFIED:		APVD	V KARABCIEVSKY	4/1/96	PRODUCT SPEC APPLICATION SPEC			
0 PLC ± - 1 PLC ± - 2 PLC ± - 3 PLC ± .015 4 PLC ± - ANGLES ± -		MATERIAL						SIZE
BRASS		FINISH			A300779			C-61367
TIN		CUSTOMER DRAWING			WEIGHT	SCALE 5:1		SHEET 1 OF 1
					REV J			