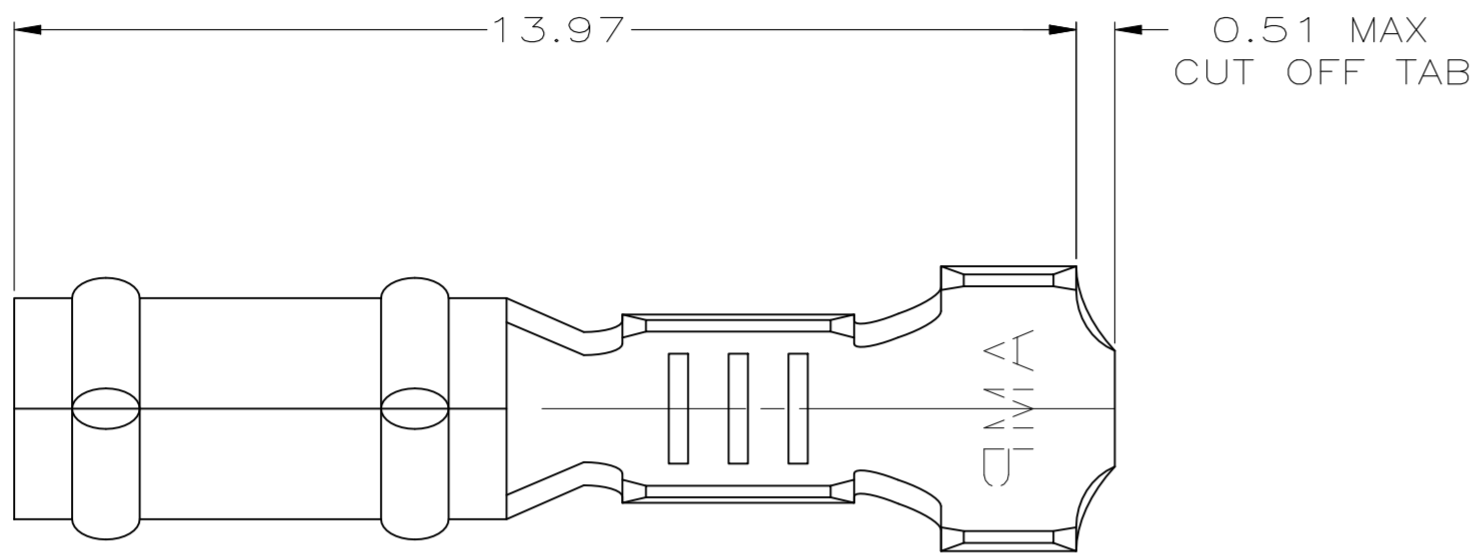
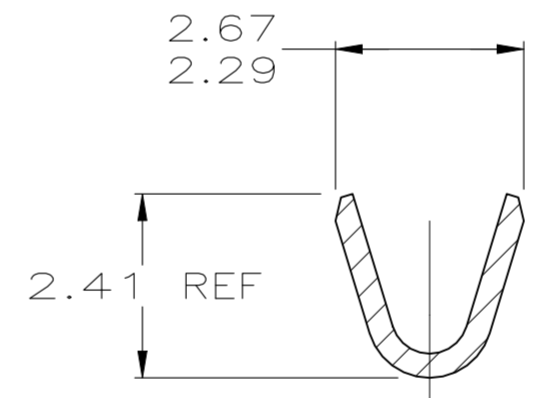
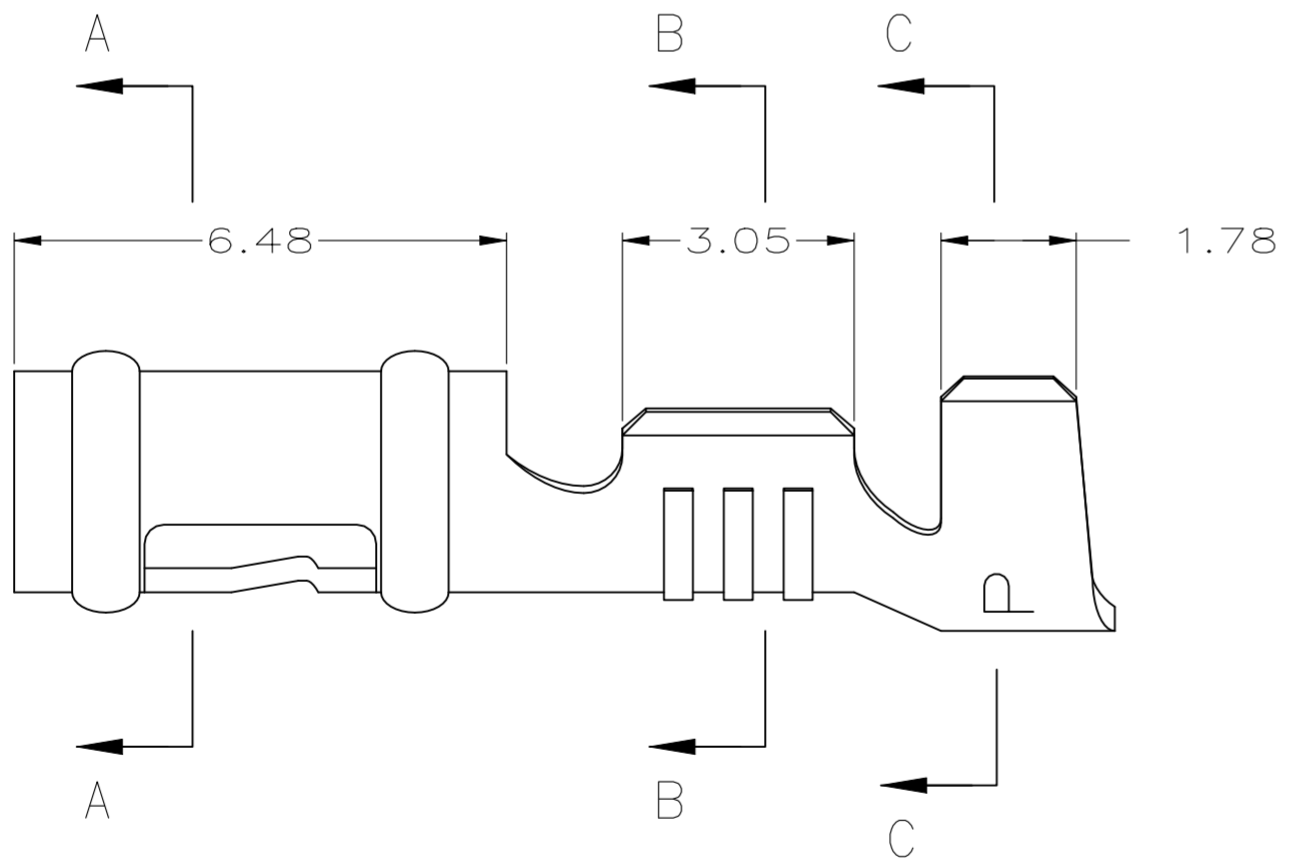


Loc	DIST	REVISIONS					
CM	52	P	LTR	DESCRIPTION	DATE	DWN	APVD
				F1 RELEASED PER ECR-23-186708	05-10-23	SK	DZ

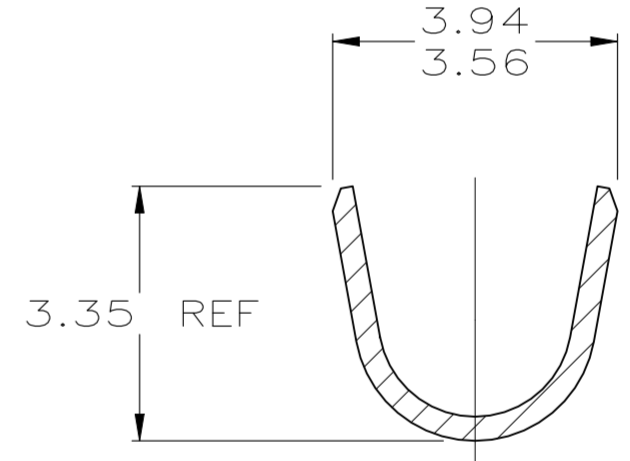
1. WIRE RANGE: 0.3 - 0.9 MM² (22 - 18 AWG)
2. INSULATION RANGE: 1.52 - 2.79



SECTION A-A



SECTION B-B



SECTION C-C

OBsolete 61260-1
PART NUMBER

1.78	.070	2.79	.110	6.48	.255	-	-
1.52	.060	2.67	.105	3.94	.155	-	-
0.51	.020	2.41	.095	3.56	.140	-	-
0.32	.013	2.36	.093	3.35	.132	-	-
0.13	.005	2.29	.090	3.05	.120	13.97	.550
MM	IN	MM	IN	MM	IN	MM	IN

CONVERSION TABLE

METRIC

THIS DRAWING IS A CONTROLLED DOCUMENT.		DWN	T. BECK	6-16-97
DIMENSIONS:		CHK	R. SWING	6-16-97
mm		APVD	A. BEDDICK	8-22-97
TOLERANCES UNLESS OTHERWISE SPECIFIED:		NAME		
0 PLC ±-		AMP Incorporated		
1 PLC ±-		Harrisburg, PA 17105-3608		
2 PLC ±0.13		RECEPTACLE, .093 DIAMETER,		
3 PLC ±-		22-18 AWG, .060-.110 INSULATION,		
4 PLC ±-		LOOSE PIECE, P.C. CONTACT		
ANGLES ±-		SIZE		
FINISH		CAGE CODE		
0.32 PH BRZ		DRAWING NO		
PRE TIN		RESTRICTED TO		
CUSTOMER DRAWING		A2 00779 C-61260		
SCALE		SHEET		
10:1		1 OF 1		
		REV		
		F1		