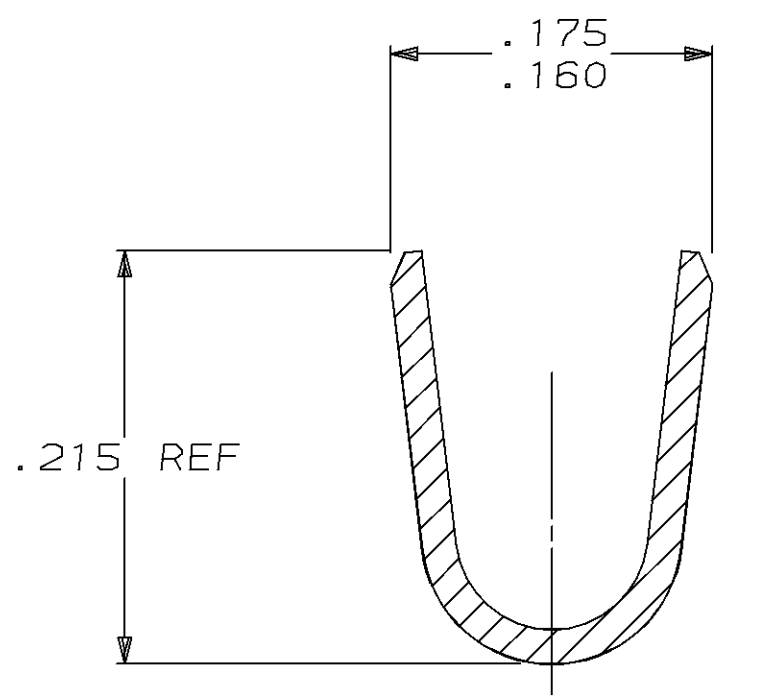
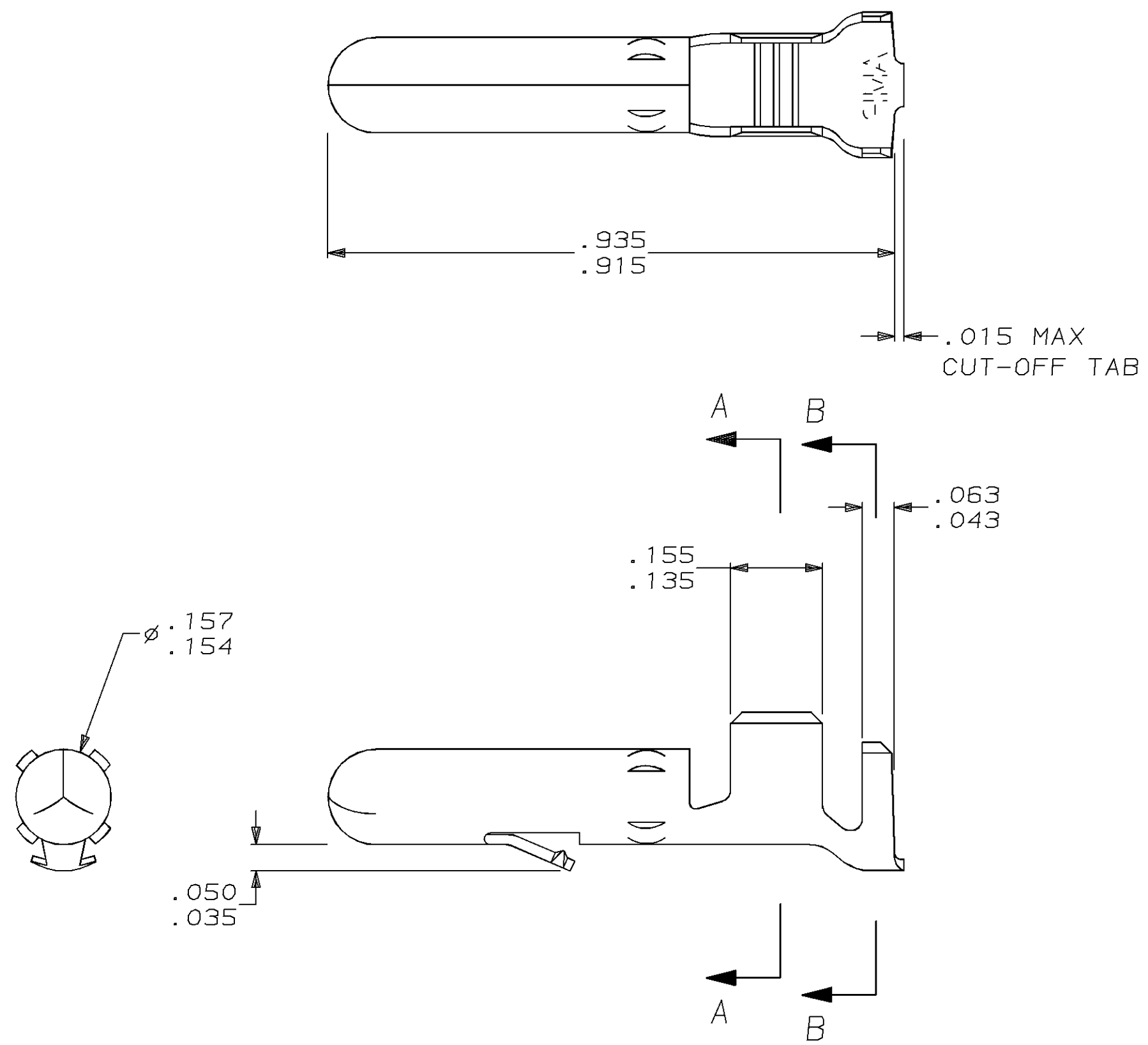


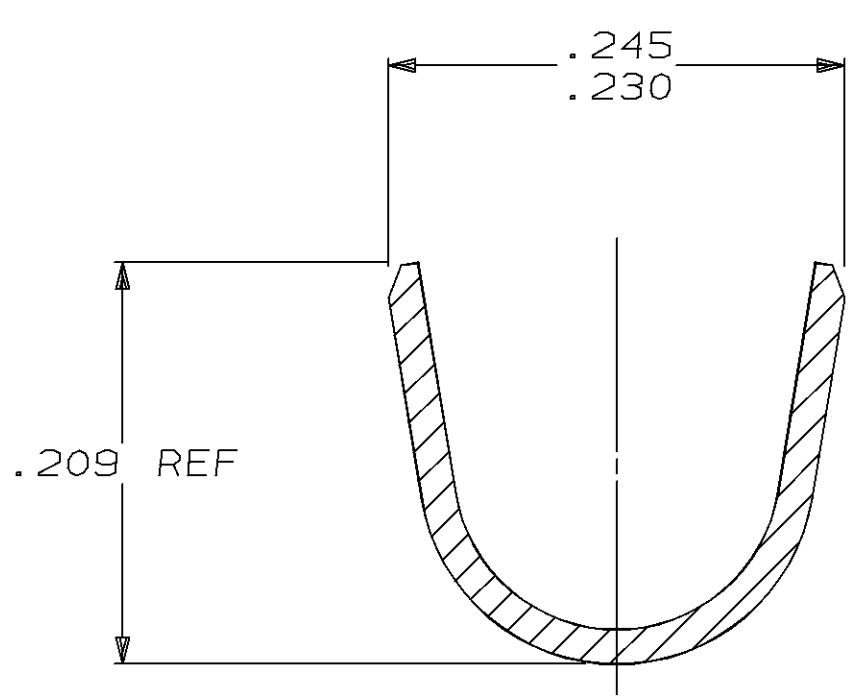
THIS DRAWING IS UNPUBLISHED. RELEASED FOR PUBLICATION
 BY AMP INCORPORATED. ALL RIGHTS RESERVED.

LOC	DIST	REVISIONS			
P	LTR	DESCRIPTION	DATE	DWN	APVD
CM	53				
	C	REACT & REDWN PER EC 0730-0171-96	6-25-96	BL	RS

1. WIRE RANGE: 12-10 (3-6mm²) AWG
 INSULATION RANGE: .185 MAX.



SECTION A-A
SCALE 10:1



SECTION B-B
SCALE 10:1

IN	MM	IN	MM	IN	MM	IN	MM
.050	1.27	.157	3.99	.230	5.84		
.043	1.09	.156	3.96	.215	5.46		
.035	0.89	.155	3.94	.209	5.31		
.018	0.46	.154	3.91	.185	4.70	.935	23.75
.015	0.38	.135	3.43	.175	4.45	.915	23.24
.005	0.13	.063	1.60	.160	4.06	.245	6.22
IN	MM	IN	MM	IN	MM	IN	MM

CONVERSION TABLE



TIN	.018 BRASS	61253-1
FINISH	MATERIAL	PART NO

THIS DRAWING IS A CONTROLLED DOCUMENT.

DIMENSIONS IN INCHES	TOLERANCES UNLESS OTHERWISE SPECIFIED:	DWN B. LEWIS 6-25-96	AMP Incorporated Harrisburg, PA 17105-3608
	0 PLC ±	CHK R. SWING 6-25-96	
	1 PLC ±	APVD C. MARTIN 6-25-96	
	2 PLC ±	NAME	
	3 PLC ±.005	PRODUCT SPEC	
4 PLC ±	APPLY SPEC	SIZE A2	CAGE CODE 00779
MATERIAL BRASS	FINISH PRE-TIN	WEIGHT -	DRAWING NO C-61253
CUSTOMER DRAWING			SCALE 5:1 SHEET 1 OF 1 REV C

PIN, LOOSE PIECE, .156 MATE-N-LOK™