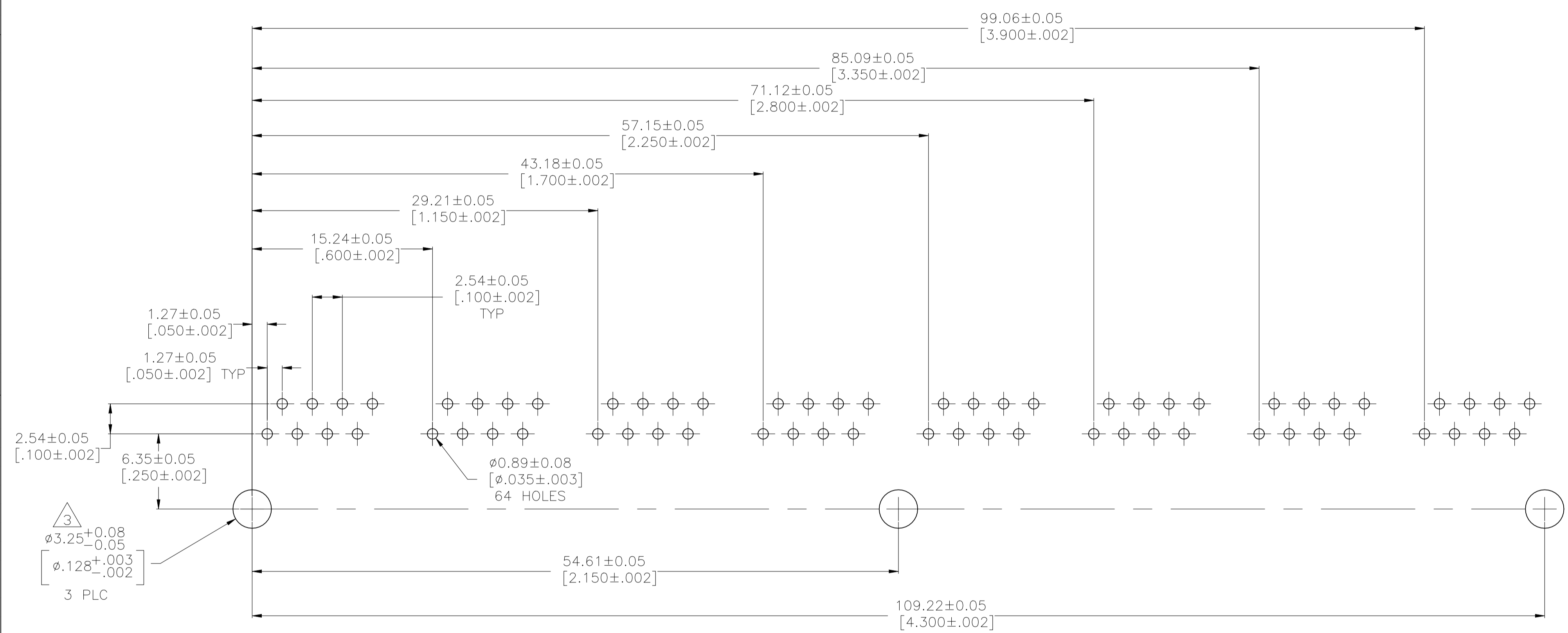
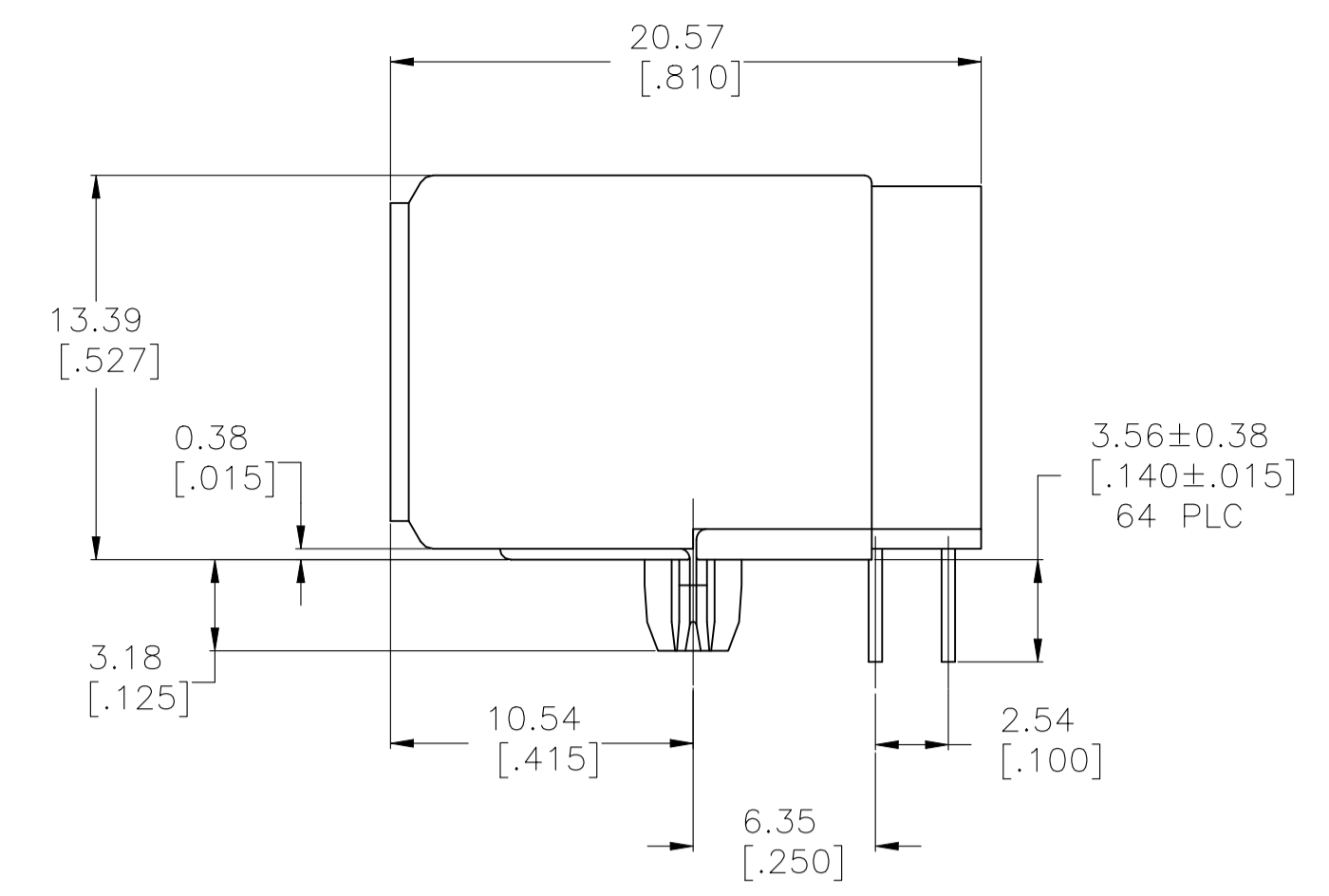
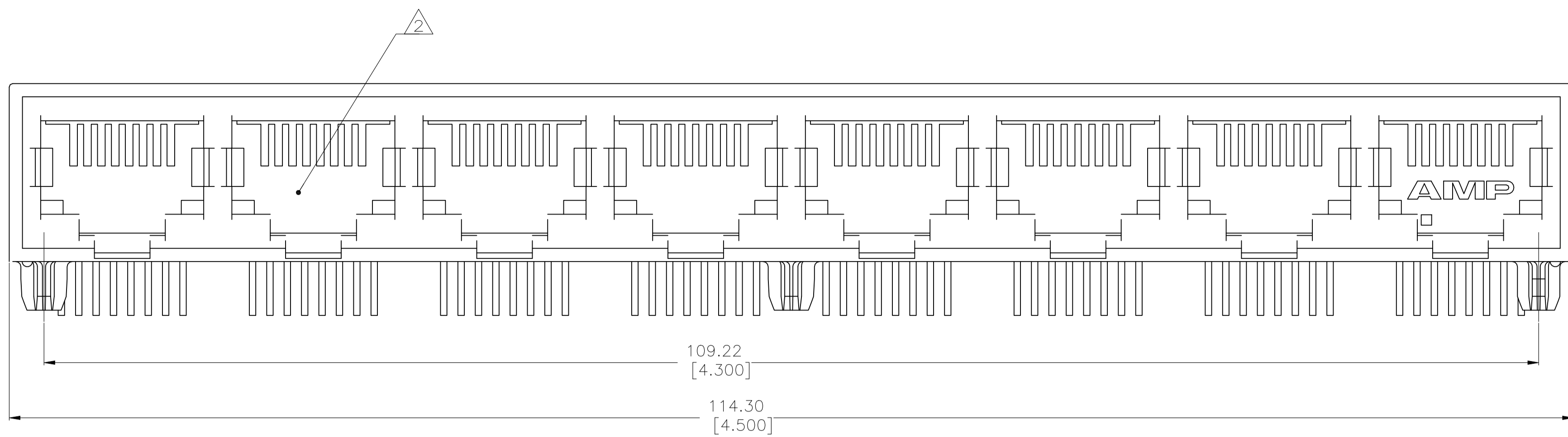
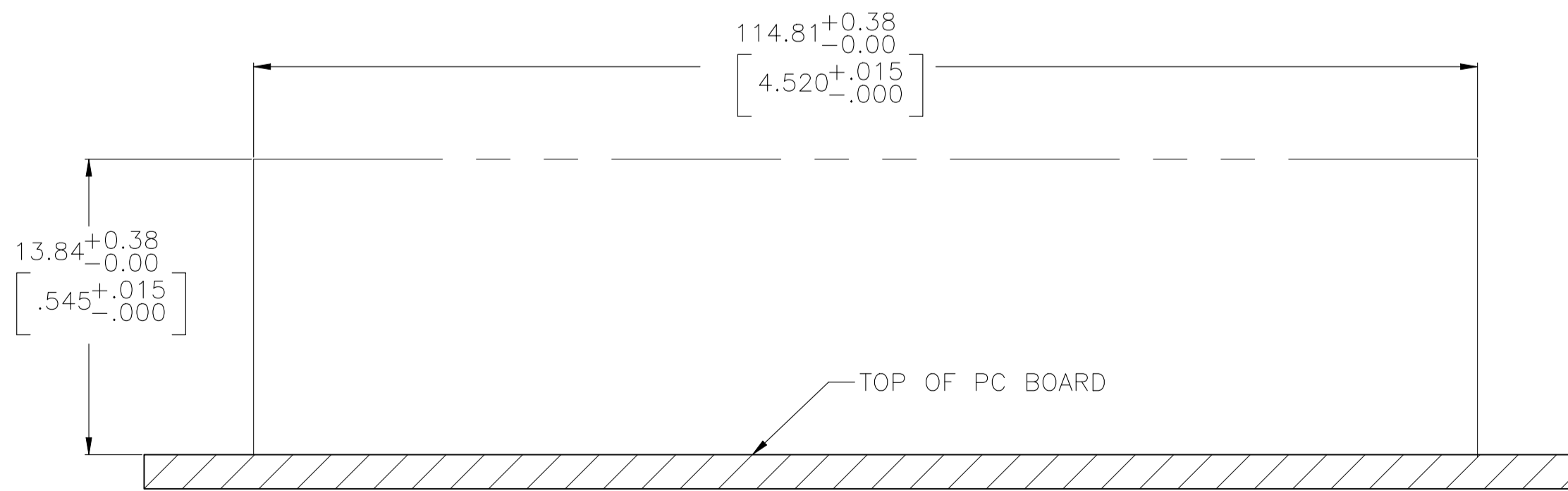


REVISIONS					
P	LTR	DESCRIPTION	DATE	DRN	APVD
B1	ECR-19-014657		13DEC2020	RR	SZ



- MATERIAL: HOUSING - NYLON, COLOR: BLACK, UL 94V-0. OVERMOLDED TERMINAL ARRAY - PBT, BROWN. TERMINALS - 0.33[.013] THICK PHOS BRONZE PLATED WITH 1.27µm[.000050] MINIMUM HARD GOLD IN LOCALIZED AREA AND 3.81µm[.000150] MINIMUM TIN-LEAD IN SOLDER AREA OVER 1.27µm[.000050] MINIMUM NICKEL UNDERPLATE. SHIELD - 0.254[.010] THICK COPPER ALLOY PLATED WITH 2.03µm[.000080] MINIMUM THICK BRIGHT TIN OVER 1.27µm[.000050] MINIMUM NICKEL.
- a JACK CAVITY CONFORMS TO FCC RULES AND REGULATIONS, PART 68 SUBPART F.  
3 USE #30 DRILL BIT OR 3.25mm DRILL BIT WHEN PRODUCING THESE PCB HOLES.

RECOMMENDED PC BOARD LAYOUT  
COMPONENT SIDE  
(SEE APPLICATION SPECIFICATION)



RECOMMENDED PANEL CUTOUT

THIS DRAWING IS A CONTROLLED DOCUMENT.		DIN L. VARELA - DOCKS 10JUN2005		TE Connectivity	
DIMENSIONS: mm [INCHES]		CHK J. WESTMAN 10JUN2005			
TOLERANCES UNLESS OTHERWISE SPECIFIED:		APVD S. FLICKINGER 10JUN2005		NAME	
0 PLC ± -		PRODUCT SPEC		MODULAR JACK ASSEMBLY, 8 POSITION, RIGHT ANGLE, LOW PROFILE, 8 PORT, CATEGORY 5e	
1 PLC ± -		APPLICATION SPEC		108-1163-2	
2 PLC ± 0.25(.01)		SIZE		114-2048	
3 PLC ± 0.13(.005)		WEIGHT		0.000000	
4 PLC ± -		CUSTOMER DRAWING		SCALE 4:1 SHEET 1 of 1 REV B1	
ANGLES ± -		RESTRICTED TO		-	
MATERIAL SEE NOTE 1		FINISH SEE NOTE 1		DRAWING NO. 6116525	