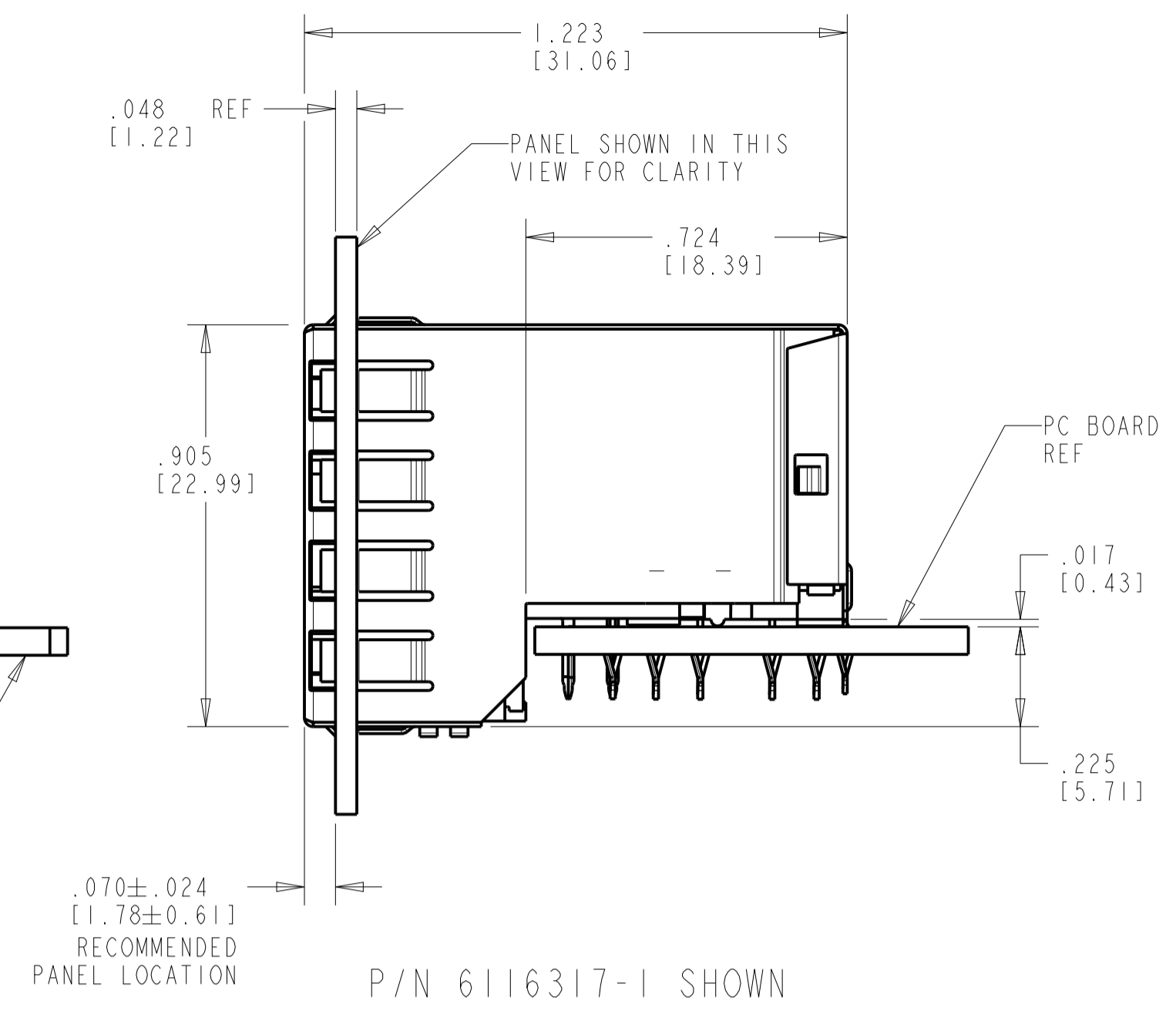
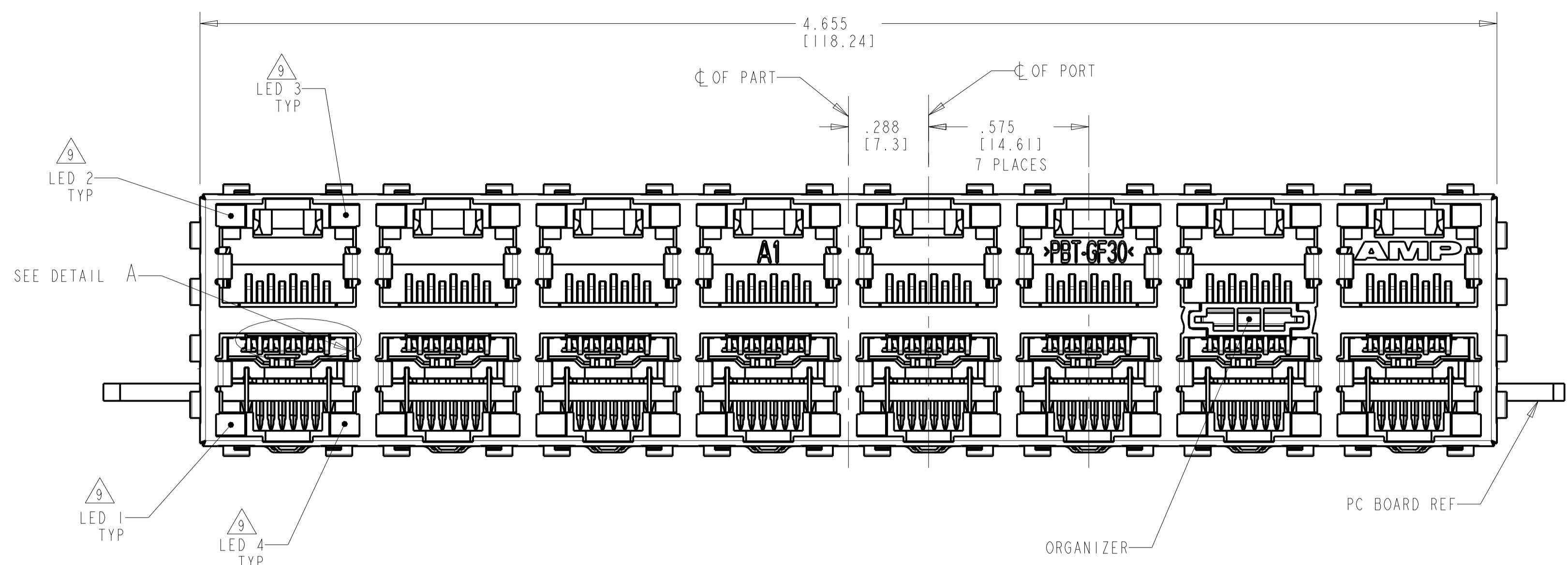
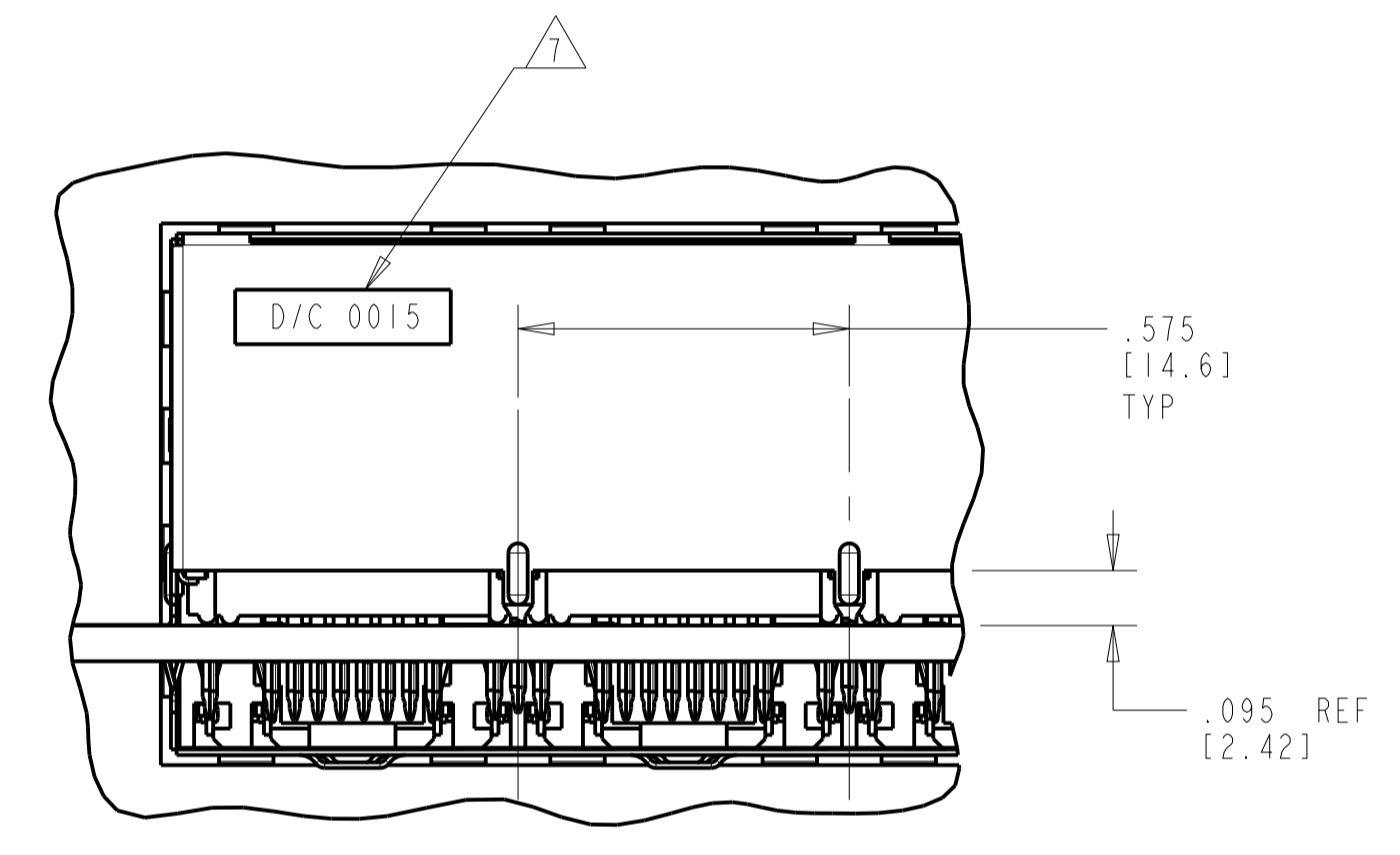
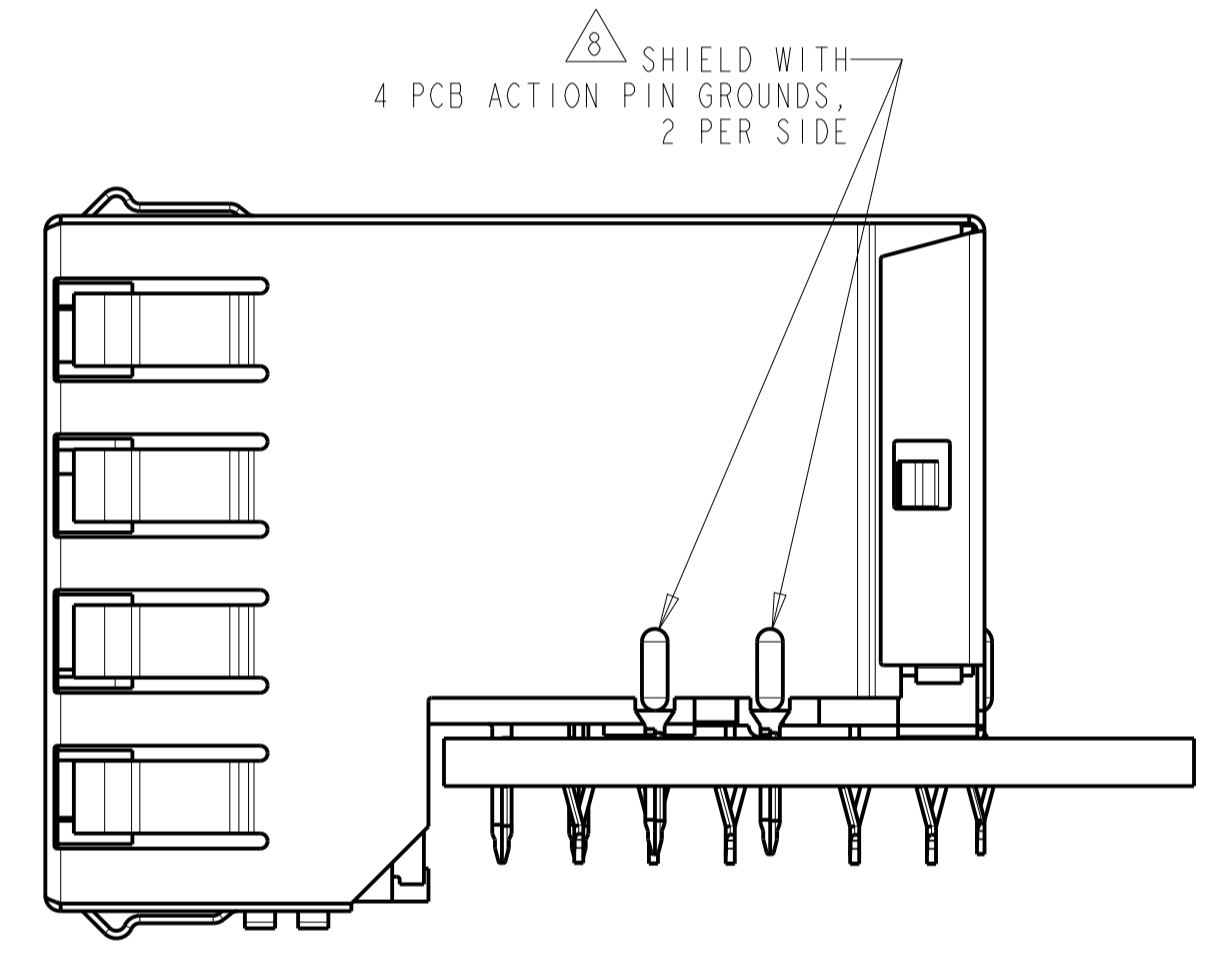
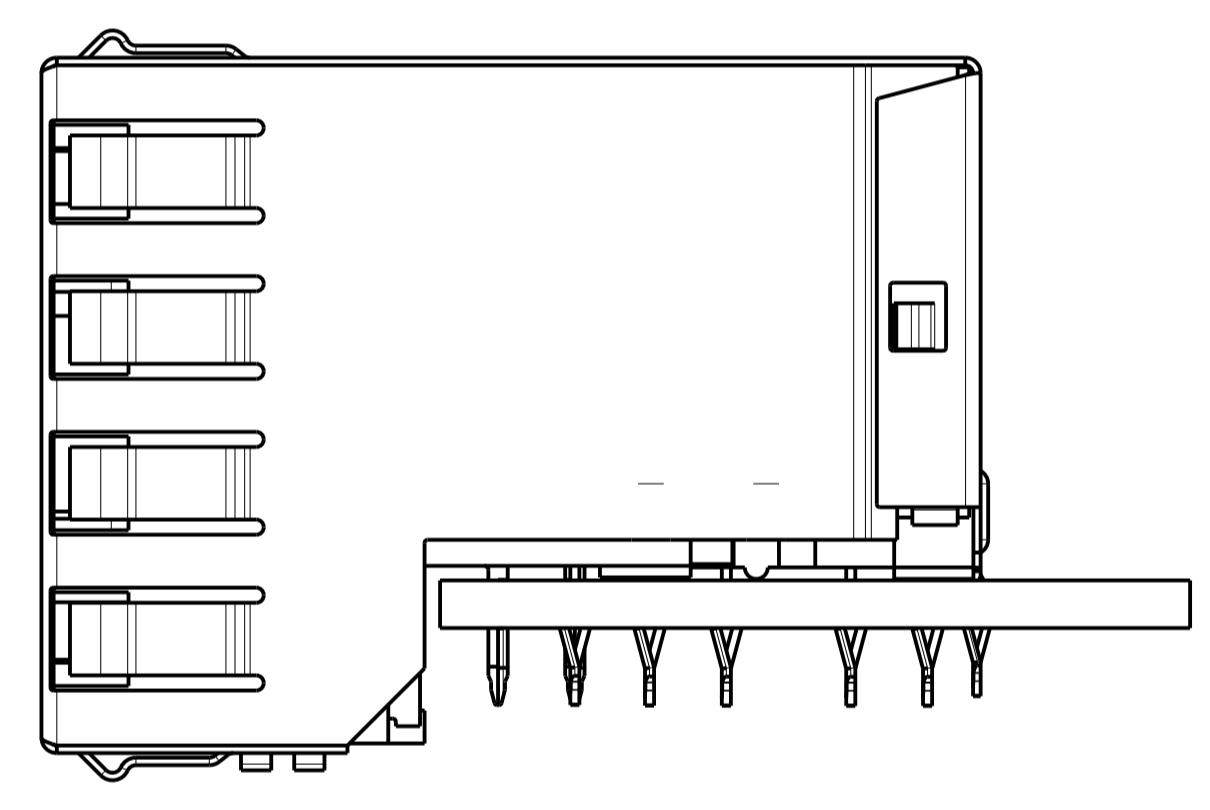


LOC	DIST	REVISIONS			
		REV	DATE	BY	APPV
AA	22	C2	REVISD PER ECO-11-005033	04MAY11	RK HMR
		D	ECO-15-006810	22JAN2016	LL SH
		D1	REVISD PER ECO-21-000623	28JUL2020	IT SH

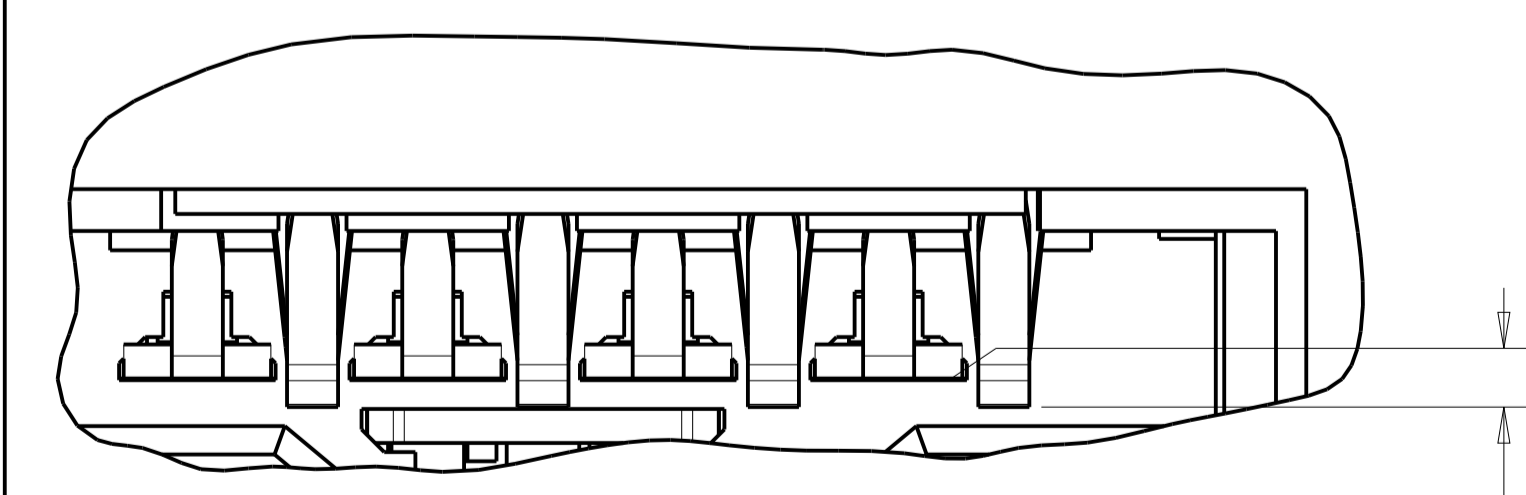
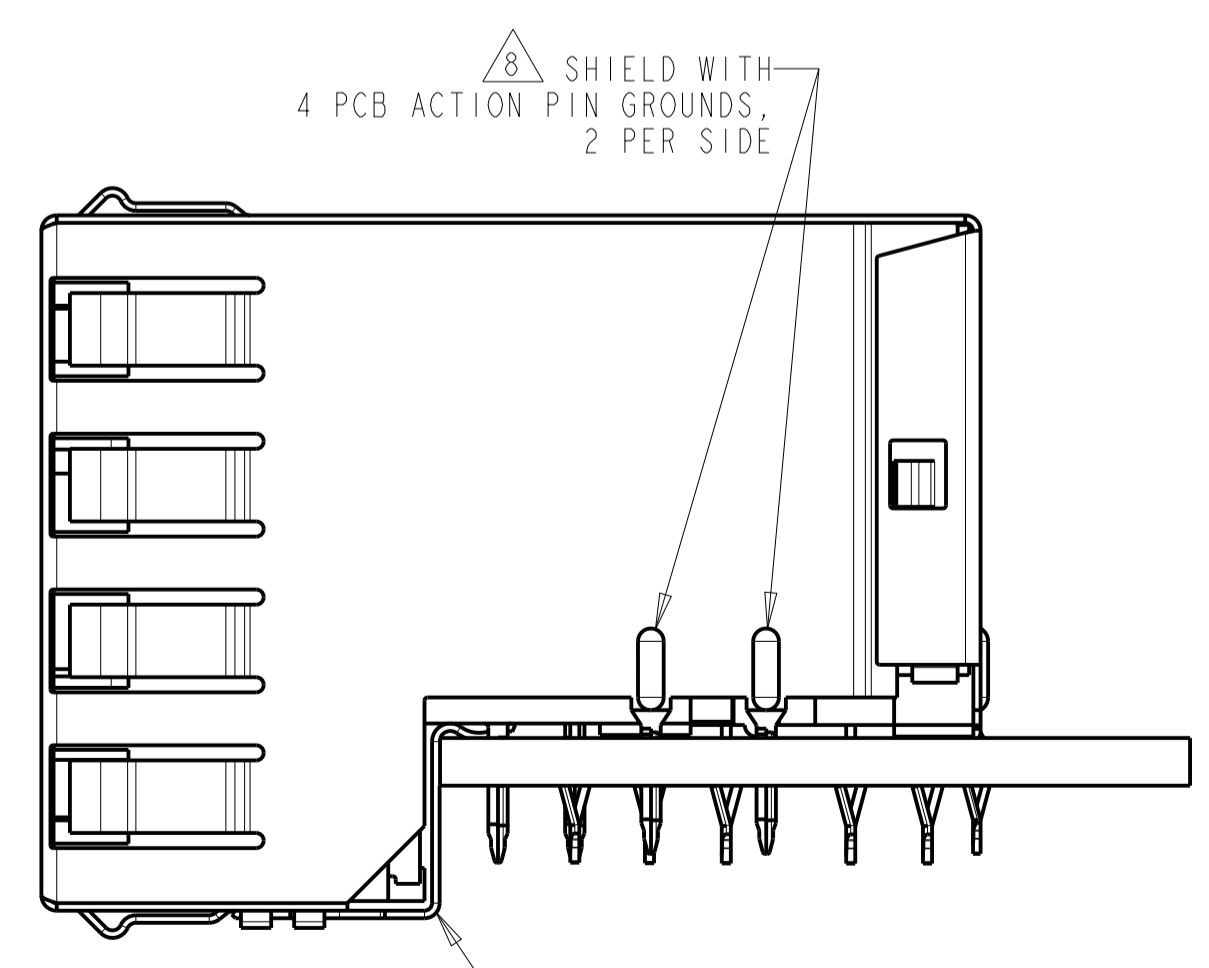
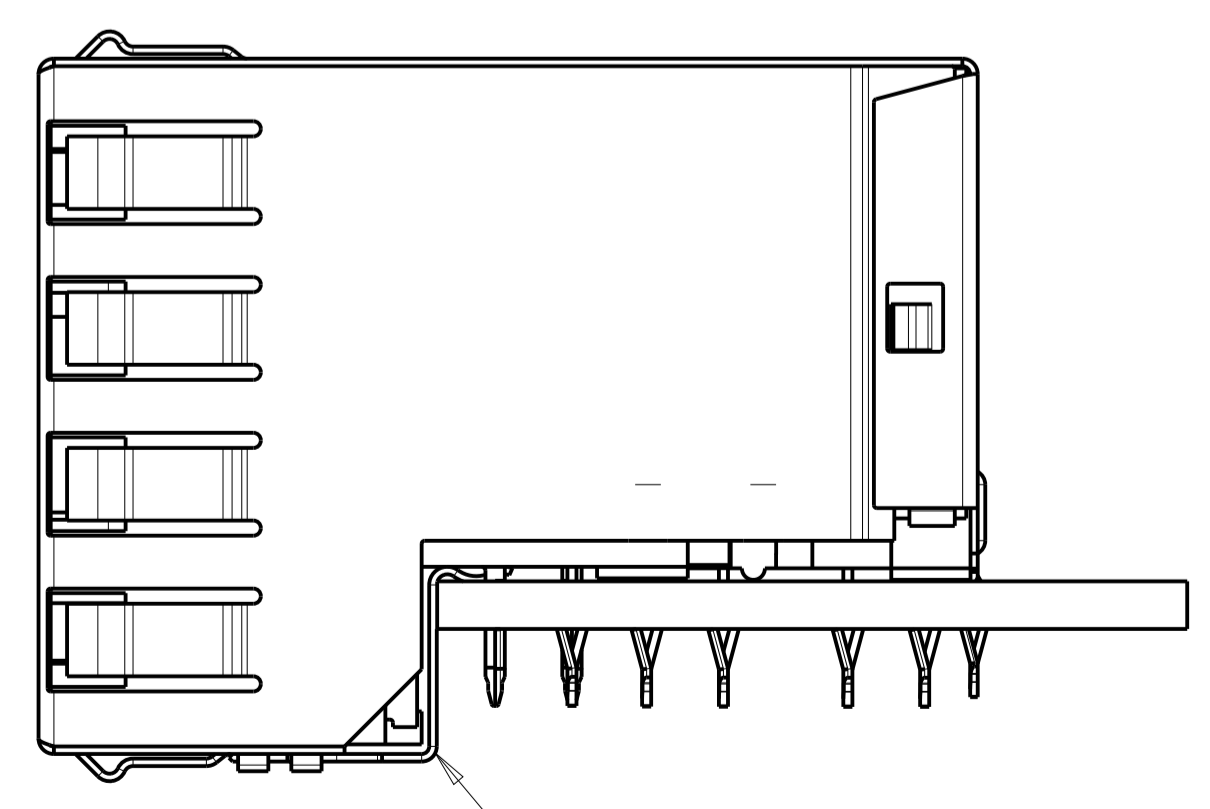


- △ HOUSING: PBT POLYESTER, BLACK, UL 94V-0.
  - TERMINALS: 0.30 THICK PHOS BRONZE PLATED WITH 1.27µm MINIMUM THICK HARD GOLD IN LOCALIZED AREA AND 2µm MINIMUM THICK MATTE TIN IN ACTION PIN COMPLIANT PIN TERMINAL AREA OVER 1.27µm MINIMUM THICK NICKEL UNDERPLATE.
  - SHIELD: 0.25 THICK COPPER ALLOY PLATED WITH 1.27µm MINIMUM NICKEL.
  - GROUND CLIPS: 0.25 THICK COPPER ALLOY PLATED WITH 2.03µm MINIMUM MATTE TIN OVER 1.27µm MINIMUM NICKEL.
  - LIGHT EMITTING DIODE (LED): DIFFUSED EPOXY LENS, 12.95 CARBON STEEL WIREFRAME LEADS PLATED WITH 8.89µm TIN/COPPER OVER 2.03µm SILVER OVER 1.02µm COPPER OVER 3.56µm NICKEL OVER 1.02µm COPPER UNDERPLATE.
  - LED ACTION PIN COMPLIANT PIN CONTACTS: 0.30 THICK BRASS PLATED WITH 2µm MINIMUM MATTE TIN OVER 1.27µm MINIMUM NICKEL UNDERPLATE.
2. JACK CAVITY CONFORMS TO FCC RULES AND REGULATIONS, PART 68 SUBPART F.
  3. ALL DIMENSIONS ARE NOMINAL UNLESS OTHERWISE SPECIFIED.
  4. TWO LEDS PER PORT, SIZE .079 X .118, SEE TABLE.
  - △ 5. DRILLED HOLE DIA = .040±.001. COPPER THICKNESS = .001-.003. TIN THICKNESS = .0003 MIN.
  - △ 6. DATUMS AND BASIC DIMENSIONS ESTABLISHED BY CUSTOMER.
  - △ 7. DATE CODE LOCATED ON REAR OF PART APPROXIMATELY AS SHOWN.
  - △ 8. THESE FOUR SIDE PCB ACTION PIN GROUNDS AND CORRESPONDING PCB HOLES ARE REQUIRED ONLY ON 6116317-2, 6116317-3, 6116317-5, 6116317-6, 6116317-7,-9 AND 1--0.
  - △ 9. SUGGESTED OPERATING CURRENT FOR LEDS IS 20 mA.



PARTIAL BACK VIEW

RED/GREEN	RED/GREEN	RED/GREEN	RED/GREEN	1-6116317-0
GREEN/YELLOW	GREEN/YELLOW	RED/GREEN	RED/GREEN	6116317-9
GREEN/YELLOW	GREEN/YELLOW	RED/GREEN	RED/GREEN	6116317-8
GREEN	GREEN	YELLOW	YELLOW	6116317-7
YELLOW	YELLOW	GREEN	GREEN	6116317-6
GREEN/YELLOW	GREEN/YELLOW	GREEN/YELLOW	GREEN/YELLOW	6116317-5
GREEN	GREEN	GREEN	GREEN	6116317-4
GREEN	GREEN	GREEN	GREEN	6116317-3
GREEN	GREEN	GREEN	GREEN	6116317-2
GREEN	GREEN	GREEN	GREEN	6116317-1
LED #4 (LOWER-RIGHT)	LED #3 (UPPER-RIGHT)	LED #2 (UPPER-LEFT)	LED #1 (LOWER-LEFT)	PART NO.



8	4	△ 8	1-6116317-0
8	4	△ 8	6116317-9
NONE	NONE		6116317-8
NONE	4	△ 8	6116317-7
NONE	4	△ 8	6116317-6
NONE	4	△ 8	6116317-5
8	NONE		6116317-4
8	4	△ 8	6116317-3
NONE	4	△ 8	6116317-2
NONE	NONE		6116317-1
GROUND CLIPS	SIDE PCB ACTION PIN GNDS		PART NUMBER

THIS DRAWING IS A CONTROLLED DOCUMENT.

DIMENSIONS: INCHES(mm)	TOLERANCES UNLESS OTHERWISE SPECIFIED:	OWN: L. VARELA - DOCKS 23JUN2005	CHK: J. WESTMAN 23JUN2005	APVD: S. FLICKINGER 23JUN2005
0 PLC ±	1 PLC ±	2 PLC ±	3 PLC ±	4 PLC ±
ANGLES	FINISH	114-2160	108-1854	108-1854
MATERIAL	FINISH	WEIGHT - 1 = 77.2 grams	114-2160	108-1854

NAME: STACKED MODULAR JACK ASSEMBLY, 2X8 WITH LEDS, 8 POSITION, SHIELDED PANEL GROUND, OFFSET, CAT 5

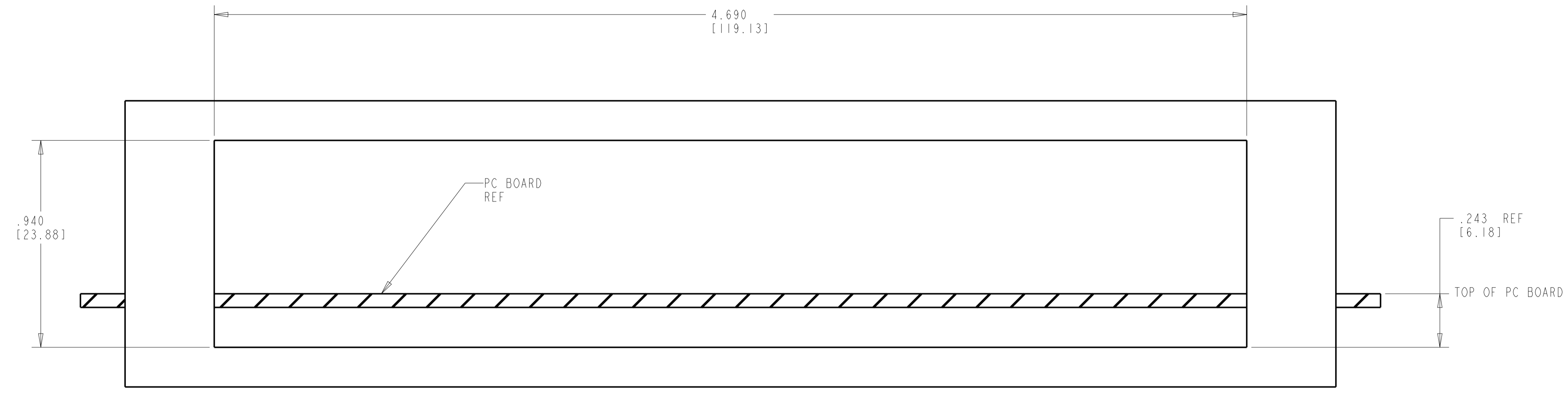
SIZE: A1 CAGE CODE: 00779 DRAWING NO: 6116317

CUSTOMER DRAWING SCALE: 3:1 SHEET 1 OF 3 REV: D

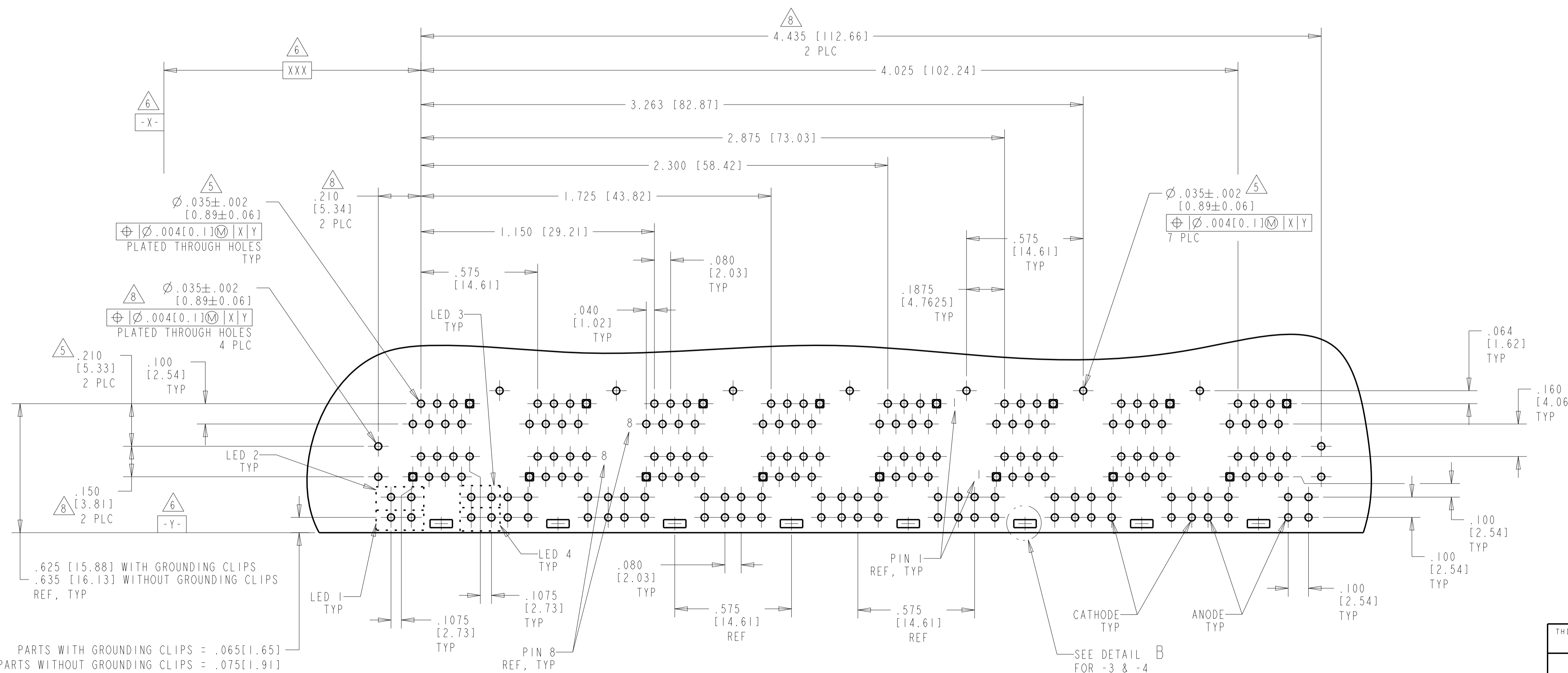
LOC	DIST	REV	DATE	BY	APPV
AA	22				

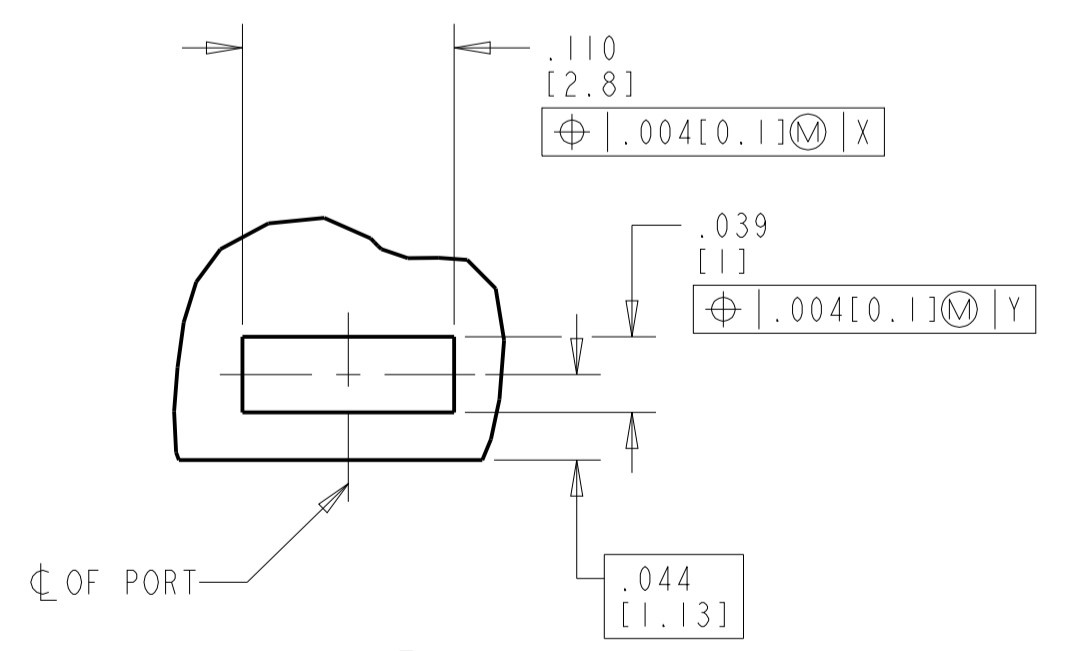
REVISIONS					
REV	DATE	BY	APPV	DESCRIPTION	DATE
-	-	-	-	SEE SHEET 1	-



RECOMMENDED PANEL CUT-OUT



PC BOARD LAYOUT  
(COMPONENT SIDE)

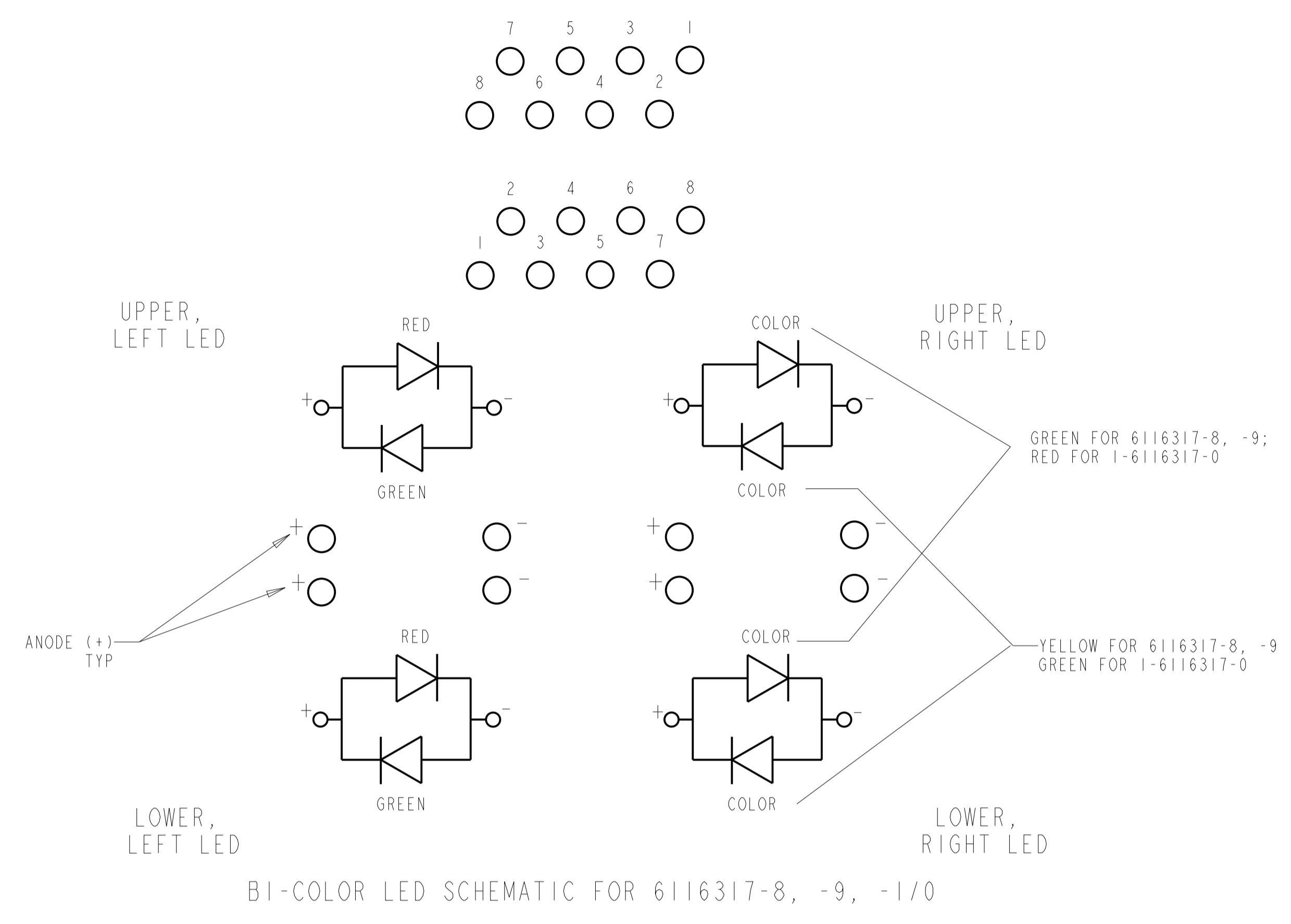
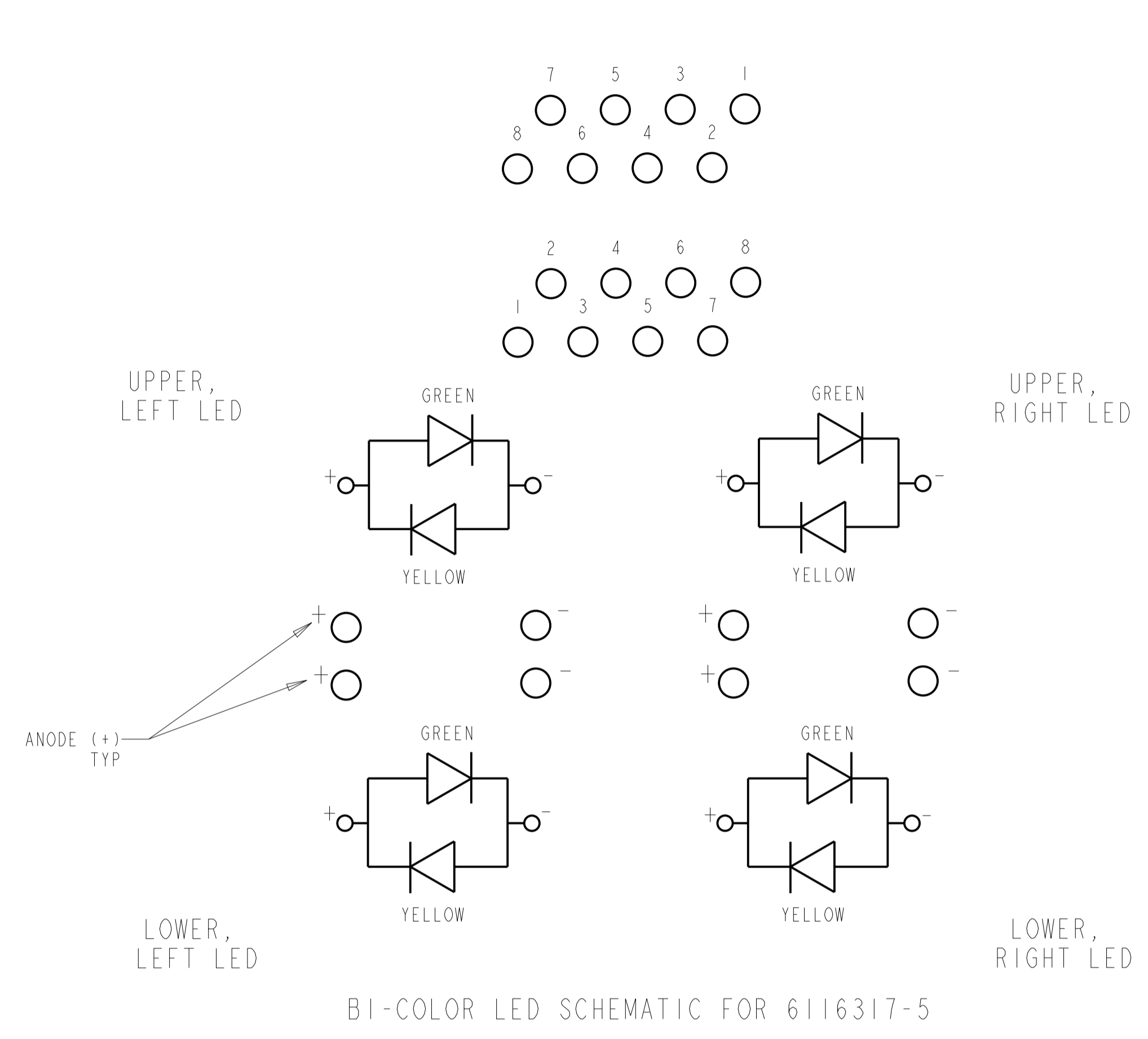


DETAIL B  
THESE PLATED PADS REQUIRED FOR 6116317-3 & -4  
PRODUCTS WITH GROUNDING CLIPS  
SCALE 10:1  
8 PLACES

PARTS WITH GROUNDING CLIPS = .065 [1.65]  
PARTS WITHOUT GROUNDING CLIPS = .075 [1.91]

THIS DRAWING IS A CONTROLLED DOCUMENT.		OWN L. VARELA	23 JUN 2005	 TE Connectivity
DIMENSIONS: INCHES [mm]		CHK J. WESTMAN	23 JUN 2005	
TOLERANCES UNLESS OTHERWISE SPECIFIED:		APVD S. FLICKINGER	23 JUN 2005	NAME STACKED MODULAR JACK ASSEMBLY, 2X8 WITH LEDs, 8 POSITION, SHIELDED PANEL GROUND, OFFSET, CAT 5
0 PLC ± 1 PLC ± 2 PLC ± 3 PLC ±.005 [0.13] 4 PLC ±.005 [0.13] ANGLES ±		PRODUCT SPEC 108-1854 APPLICATION SPEC 114-2160		
MATERIAL	FINISH	WEIGHT	77.2 grams	SIZE CAGE CODE DRAWING NO A1 00779 ©=6116317
CUSTOMER DRAWING		SCALE	3:1	RESTRICTED TO SHEET 2 OF 3 REV D1

LOC		DIST		REVISONS			
AA	22	P	LTH	DESCRIPTION	DATE	DWN	APVD
		-		SEE SHEET 1			



THIS DRAWING IS A CONTROLLED DOCUMENT.		DWN	L. VARELA	23 JUN 2005	 TE Connectivity				
DIMENSIONS: INCHES(mm)		CHK	J. WESTMAN	23 JUN 2005					
TOLERANCES UNLESS OTHERWISE SPECIFIED:		APVD	S. FLICKINGER	23 JUN 2005	NAME STACKED MODULAR JACK ASSEMBLY, 2X8 WITH LEDS, 8 POSITION, SHIELDED PANEL GROUND, OFFSET, CAT 5				
0 PLC ±. 2 PLC ±. 3 PLC ±. 4 PLC ±.005 [0.13] ANGLES ±.		PRODUCT SPEC	108-1854	APPLICATION SPEC					
MATERIAL	FINISH	WEIGHT	114-2160	77.2 grams	SIZE	CAGE CODE	DRAWING NO	RESTRICTED TO	
		CUSTOMER DRAWING			A1	00779	6116317		
		SCALE	3:1	SHEET	3	OF	3	REV	D1