

SAFETY ORGANIZATIONS

THIS FILTER HAS BEEN FORMALLY RECOGNIZED, CERTIFIED OR APPROVED BY THE LISTED AGENCY. THEREFORE, ALL TEST/REQUIREMENTS SPECIFIED IN THE LATEST REVISION OF THE FOLLOWING AGENCY STANDARDS HAVE BEEN MET:

UL RECOGNIZED: UL 1283
 CSA CERTIFIED: CSA 22.2, #8
 TUV APPROVED: EN60950

OPERATING SPECIFICATIONS

LINE CURRENT/VOLTAGE: 60 AMP/55°C, 80 VDC

LINE FREQUENCY: DC

MAXIMUM LEAKAGE CURRENT,
 EACH LINE TO GROUND:

N/A mA @ 120V 60Hz
 N/A mA @ 250V 50Hz

OPERATING AMBIENT TEMP. RANGE: -10°C TO +55°C @ RATED CURRENT, I_r .

IN AN AMBIENT, T_a , HIGHER THAN 55°C, THE MAXIMUM OPERATING CURRENT, I_o , IS AS FOLLOWS:

$$I_o = I_r \sqrt{\frac{85 - T_a}{30}}$$

RELIABILITY SPECIFICATIONS:

STORAGE TEMPERATURE: -40°C TO +85°C
 HUMIDITY: 21 DAYS @ 40°C 95% RH.
 CURRENT OVERLOAD TEST: 6 TIMES I_r FOR 8 SECONDS

TEST SPECIFICATIONS:

INDUCTANCE: 0.351 mH NOMINAL
 CAPACITANCE: (MEASURED @ 1KHz, 0.250VAC MAX., 25°C ± 1°C)
 LINE TO GROUND: 0.094 μ F ± 20%
 LINE TO LINE: 4.424 μ F ± 20%
 DISCHARGE RESISTOR: 0.165 M Ω
 L/G AND L/L I.R.
 NO DISCHARGE RESISTOR: 6000 M Ω (MIN.) @ 100VDC, 20°C AND 50% RH

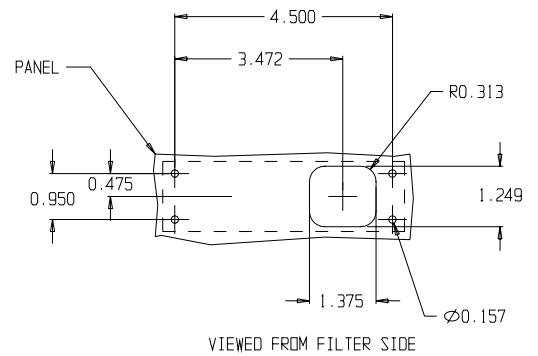
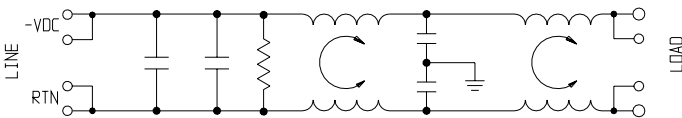
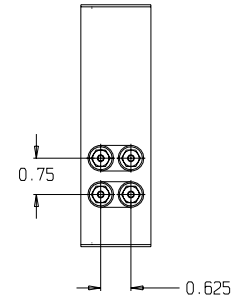
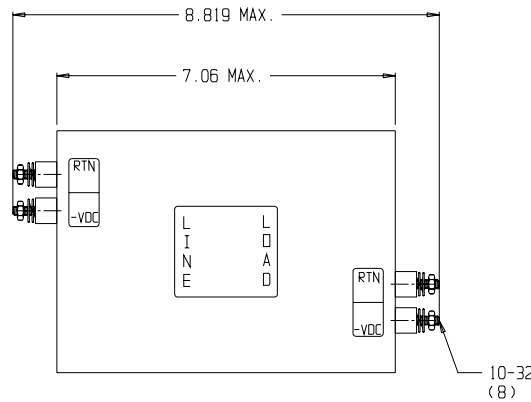
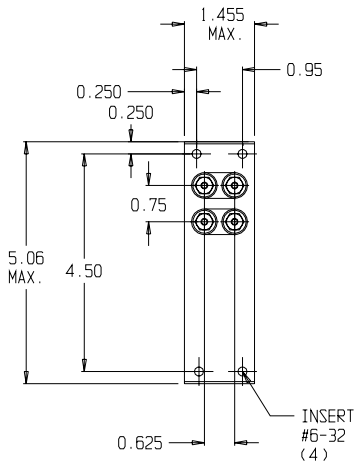
RECOMMENDED RECEIVING INSPECTION HIPOT:

LINE TO GROUND: 2250 VDC FOR 1 MINUTE
 LINE TO LINE: 1450 VDC FOR 1 MINUTE

FILTER APPROVAL:

THE BEST WAY TO SELECT AND QUALIFY A FILTER IS FOR YOUR ENGINEERING TO TEST THE UNIT IN YOUR EQUIPMENT.

CATALOG # 60DCB6		
EC#	APPRVD.	DDMMYY
0631-0093-03		11MAR03



50 Ω - 50 Ω (MINIMUM) INSERTION LOSS

THIRD ANGLE PROJECTION

FREQUENCY MHz	.01	.05	0.1	.15	0.5	1	3	5	10	30
COMMON dB			9	17	38	40	59	50	39	34
DIFF. dB	15	30	36	40	40	35	60	51	39	32

UNLESS OTHERWISE SPECIFIED, TOLERANCE TO BE \pm .025 MATERIAL & FINISH: AS SUPPLIED

This document is proprietary to CORCOM INC. and is not to be reproduced nor used for manufacturing purposes except on CORCOM'S prior written consent.

tyco / **Electronics** **corcom**
 844 E. ROCKLAND RD. LIBERTYVILLE IL 60048

POWER LINE FILTER

CAD FILE: G:\CD\60DCB604	TYCO # 2-1609074-9	REV.
SCALE: NTS	DATE: 10-30-00	CATALOG NO.
DRW. BY: PJD	DRG: PJD	60DCB6
		4