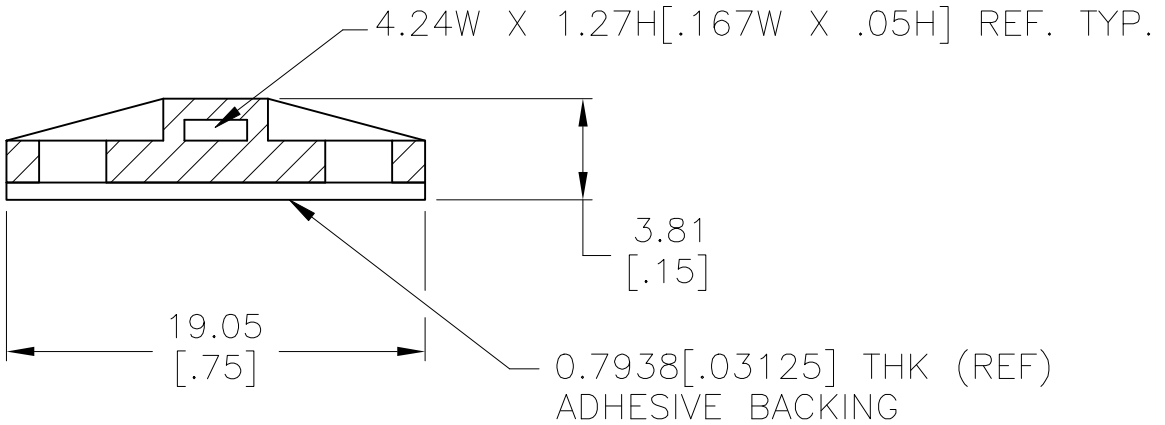
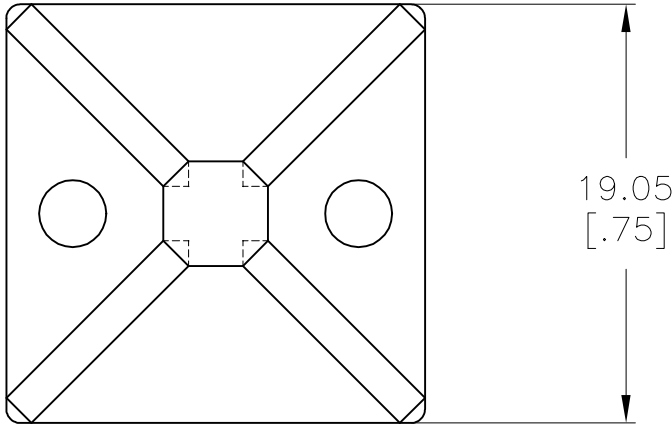


REVISIONS

P	LTR	DESCRIPTION	DATE	DWN	APVD
	0	RELEASED	17-JAN-00	KW	JS
	A	REDRAWN PER ECO-17-002880	31AUG2017	BDA	DR
	A1	REVISED PER ECO-17-013665	09JAN2018	RS	DR

- 1 ACCOMODATES CABLE TIES WITH TENSILE VALUE OF 133.44 NEWTONS [30 LBS] MAXIMUM.
- 2 AS SHOWN - PACKAGED 100 PER SEALED POLY BAG WITH LABEL TO CONTAIN AMP P/N DESCRIPTION, QUANTITY, DATE CODE, AND U.L. RECOGNITION MARK.



608802-1
PART NUMBER

THIS DRAWING IS UNPUBLISHED. ALL RIGHTS RESERVED. © COPYRIGHT - TE Connectivity

DIMENSIONS: mm [INCHES]	DWN K. WHITAKER	17-JAN-2000	MATERIAL NYLON, WHITE	FINISH -
	CHK J. SCHLUNZ	17-JAN-2000		
TOLERANCES UNLESS OTHERWISE SPECIFIED:	APVD J. SCHLUNZ	17-JAN-2000		
0 PLC ± -	PRODUCT SPEC	-	NAME 4 WAY CABLE TIE MOUNT	
1 PLC ± -	APPLICATION SPEC	-	2 #4 SCREW HOLES, W/ADHESIVE	
2 PLC ± 0.51 [.02]	WEIGHT	-	SIZE A4	CAGE CODE 00779
3 PLC ± -		CUSTOMER DRAWING	DRAWING NO 608802	RESTRICTED TO -
4 PLC ± -			SCALE 3:1	SHEET 1 OF 1
ANGLES ± 0° 30'				