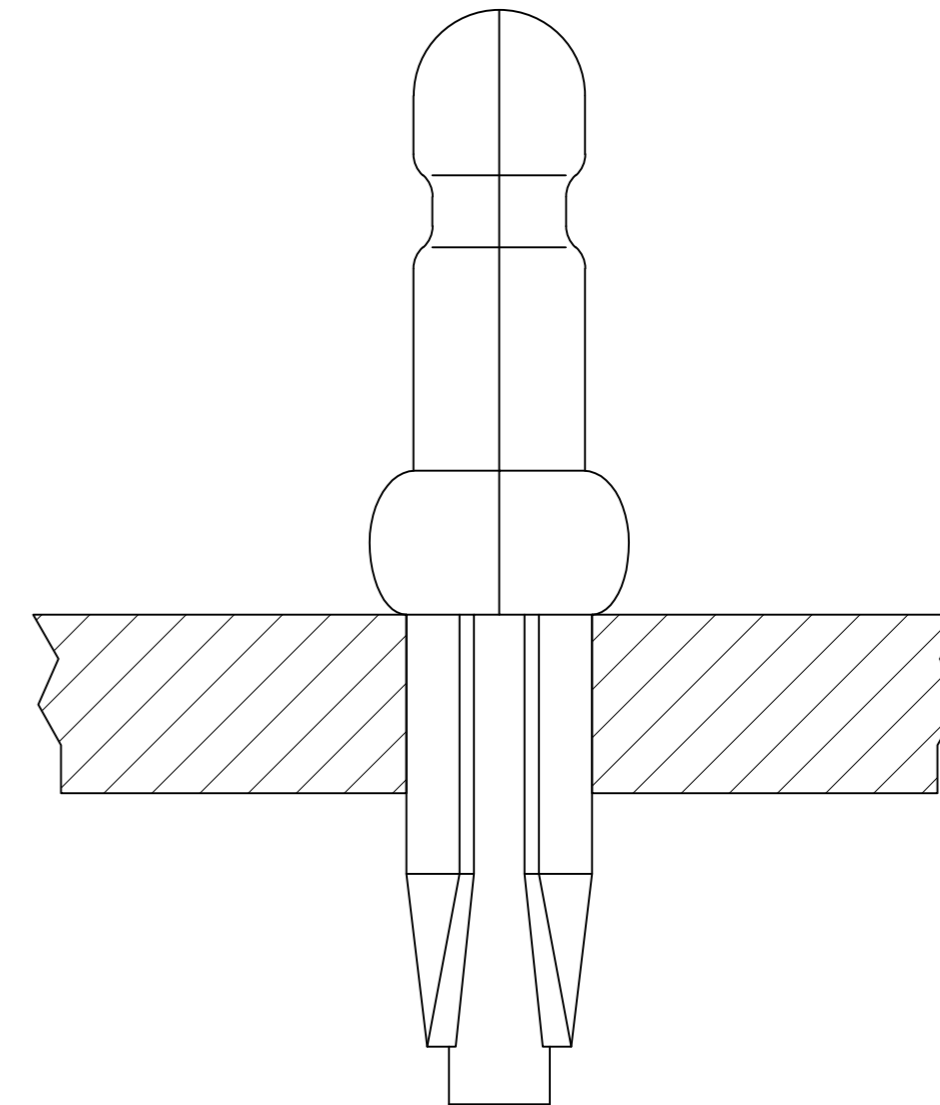
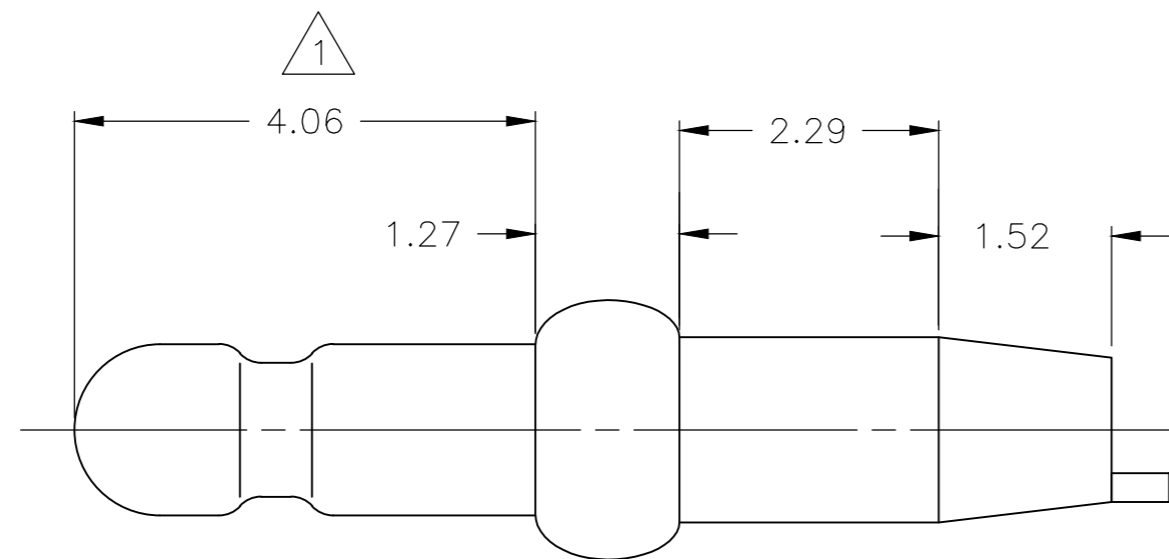
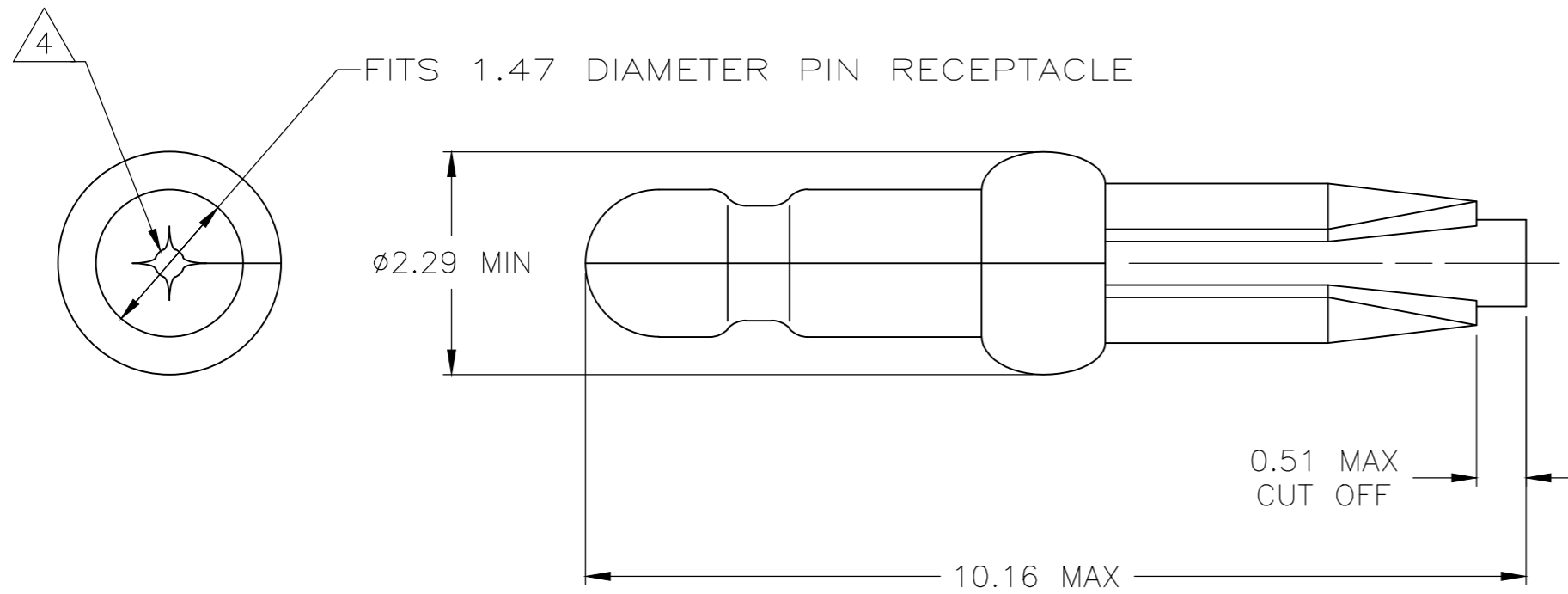


THIS DRAWING IS UNPUBLISHED. RELEASED FOR PUBLICATION
 © COPYRIGHT - TE Connectivity Ltd. ALL RIGHTS RESERVED.

REVISIONS					
P	LTR	DESCRIPTION	DATE	DWN	APVD
	AH2	REVISED PER ECO-17-013369	14MAR2018	J.Z	D.Z

- 1 0.00076 MIN GOLD PLATING IN THIS AREA WITH 0.00381 MIN MATTE TIN LEAD ON THE REMAINDER, BOTH OVER 0.00127 MIN NICKEL UNDERPLATE.
- 2 FITS 1.47 - 1.57 DIAMETER HOLE IN A 1.57 OR 2.36 PRINTED CIRCUIT BOARD.
- 3 PARTS TO COMPLY WITH AMP SOLDERABILITY SPECIFICATION 109-11-3.
- 4 0.05 - 0.25 DIAMETER OPENING REQUIRED IN TIP OF PIN.
- 5 APPLICATOR FEED: 8.00 - 8.26
- 6 0.00076 MIN GOLD PLATING IN THIS AREA WITH 0.00381 MIN TIN ON THE REMAINDER, BOTH OVER 0.00127 MIN NICKEL UNDERPLATE.



OBSOLETE		3-60874-2
		60874-2
	PRE TIN	60874-1
	FINISH	PART NUMBER

0.13	.005	1.52	.060	8.00	.315	-	-
0.05	.002	1.47	.058	4.06	.160	-	-
0.00381	.000150	1.27	.050	2.36	.093	-	-
0.00127	.000050	0.51	.020	2.29	.090	10.16	.400
0.00076	.000030	0.25	.010	1.57	.062	8.26	.325
MM	IN	MM	IN	MM	IN	MM	IN

CONVERSION TABLE

METRIC

THIS DRAWING IS A CONTROLLED DOCUMENT.		DWN	T. BECK	8-20-97	TE Connectivity Ltd.		
DIMENSIONS: mm		CHK	R. SWING	8-20-97			
TOLERANCES UNLESS OTHERWISE SPECIFIED:		APVD	A. BEDDICK	9-10-97	NAME		
		PRODUCT SPEC		108-1025		PIN, .058 DIAMETER, PHOSPHOR BRONZE, PRESS FIT, LOOSE PIECE, P.C. CONTACT	
MATERIAL		APPLICATION SPEC		114-1008		SIZE	RESTRICTED TO
0.25 PH BRZ		FINISH		SEE TABLE		CAGE CODE	
		WEIGHT		0.000000		DRAWING NO	
		CUSTOMER DRAWING		A2 00779		SCALE	15:1
				C=60874		SHEET	1 of 1
						REV	AH2