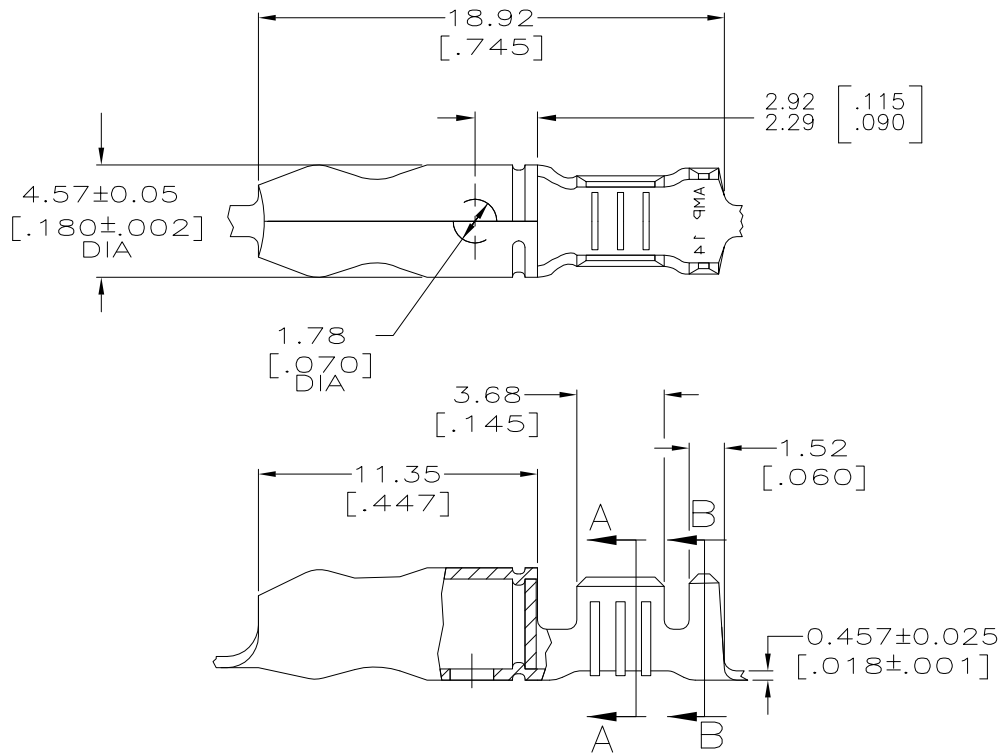


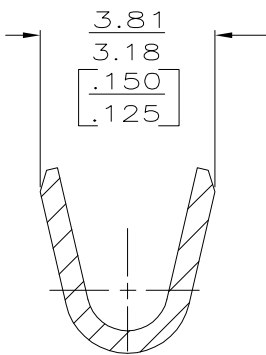
THIS DRAWING IS UNPUBLISHED. RELEASED FOR PUBLICATION  
 © COPYRIGHT - By - ALL RIGHTS RESERVED.

REVISIONS

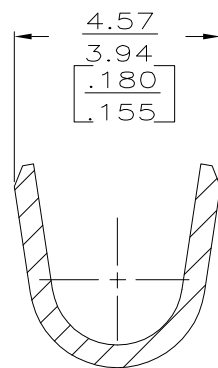
| P | LTR | DESCRIPTION               | DATE      | DWN | APVD |
|---|-----|---------------------------|-----------|-----|------|
|   | R3  | REVISED PER ECR-17-005324 | 17APR2017 | NK  | FV   |



- 1 CONTINUOUS STRIP ON REEL.
- △2 0.002032 [.000080] MIN TIN PLATE.
- △3 0.002032 [.000080] MIN TIN PLATE OVER 0.00127 [.000050] MIN NICKEL UNDERPLATE.
- △4 WITH INTERLEAVING PAPER
- △5 0.00508 [.000200] MIN SILVER PLATE OVER 0.00127 [.000050] MIN NICKEL PLATE
- △6 0.000762 [.000030] MIN GOLD OVER 0.00127 [.000050] MIN NICKEL UNDERPLATE.
- 7 WIRE SIZE IS [#18-#14] AWG
- 8 INSULATION RANGE IS 2.29-3.18 [.090-.125] DIA
- △9 PRELIMINARY - NOT FOR PRODUCTION



SECTION A-A  
SCALE 10:1



SECTION B-B  
SCALE 10:1

|          |        |                      |    |             |
|----------|--------|----------------------|----|-------------|
| OBSOLETE | △5     | 081 BRASS            | △9 | 60793-7     |
|          | △6     | 081 BRASS            | △9 | 60793-6     |
|          | △2     | 081 BERYLLIUM COPPER | △9 | 60793-5 △4  |
|          | △2     | 081 BRASS            |    | 60793-4     |
|          | △3     | 081 BRASS            |    | 60793-3     |
|          | △2     | 081 BRASS            |    | 60793-1     |
|          | FINISH | MATERIAL             |    | PART NUMBER |

| DIMENSIONS: |  | TOLERANCES UNLESS OTHERWISE SPECIFIED: |  | DWN               |  | CHK              |  | APVD        |  | NAME                       |  | SIZE   |  | CAGE CODE |  | DRAWING NO |  | RESTRICTED TO |  |
|-------------|--|----------------------------------------|--|-------------------|--|------------------|--|-------------|--|----------------------------|--|--------|--|-----------|--|------------|--|---------------|--|
| mm [INCHES] |  | 0 PLC ± -                              |  | PHILLIP M FORTNEY |  | JEFF R RUTH      |  | GARY YETTER |  | SHUR PLUG, 4.57 [.180] DIA |  | A3     |  | 00779     |  | C=60793    |  | -             |  |
|             |  | 1 PLC ± -                              |  | 11/NOV/96         |  | 11/NOV/96        |  | 11/NOV/96   |  | TE Connectivity            |  | 00779  |  | C=60793   |  |            |  |               |  |
|             |  | 2 PLC ± 0.25 [.010]                    |  |                   |  |                  |  |             |  |                            |  |        |  |           |  |            |  |               |  |
|             |  | 3 PLC ± -                              |  |                   |  |                  |  |             |  |                            |  |        |  |           |  |            |  |               |  |
|             |  | 4 PLC ± -                              |  |                   |  |                  |  |             |  |                            |  |        |  |           |  |            |  |               |  |
|             |  | ANGLES ± -                             |  |                   |  |                  |  |             |  |                            |  |        |  |           |  |            |  |               |  |
| MATERIAL    |  | FINISH                                 |  | WEIGHT            |  | CUSTOMER DRAWING |  | SCALE       |  | SHEET                      |  | 1 OF 1 |  | REV       |  | R3         |  |               |  |
| SEE TABLE   |  | SEE TABLE                              |  | 0.000000          |  |                  |  | 5:1         |  | 1 OF 1                     |  |        |  |           |  |            |  |               |  |