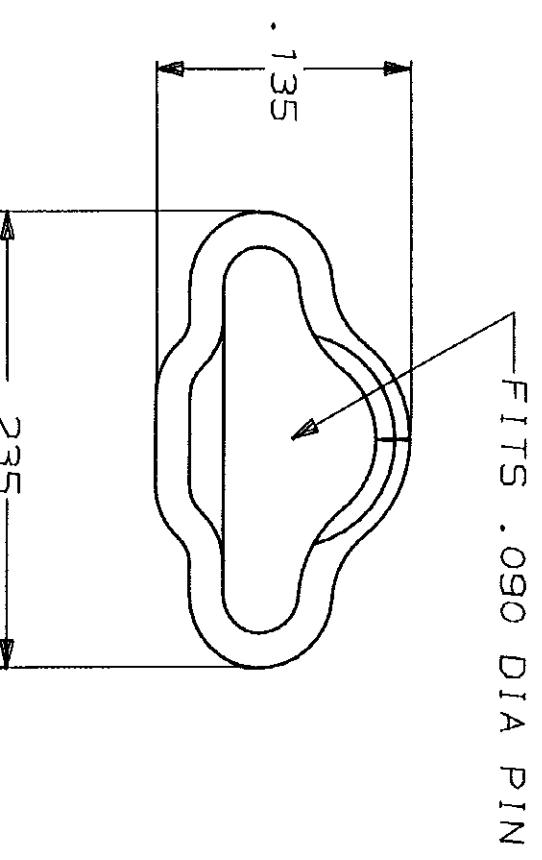
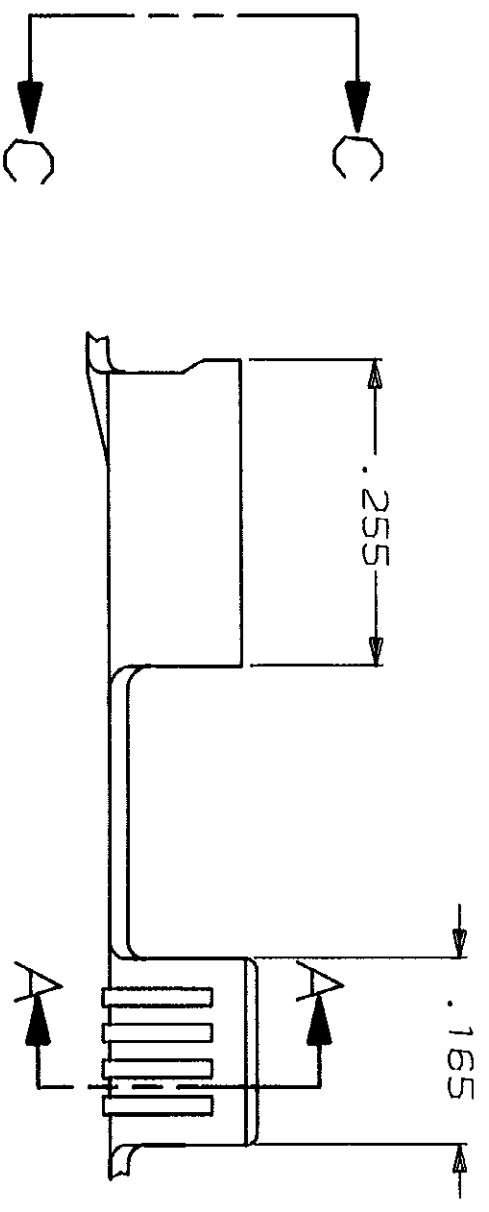
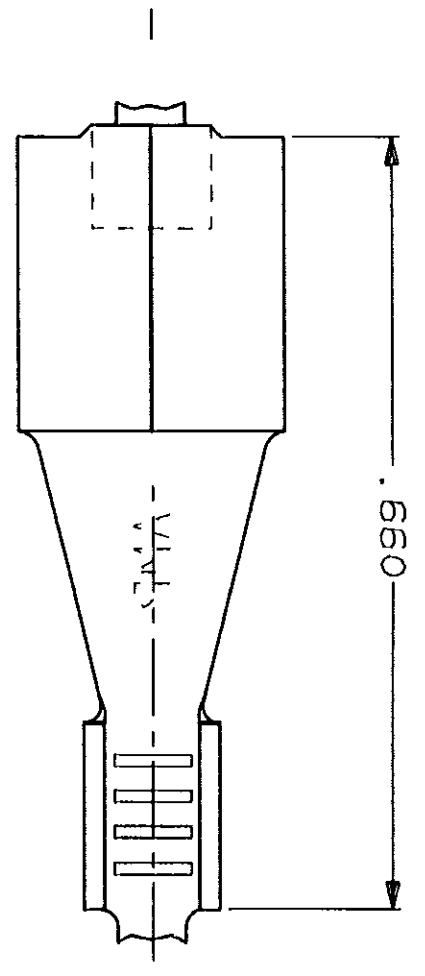
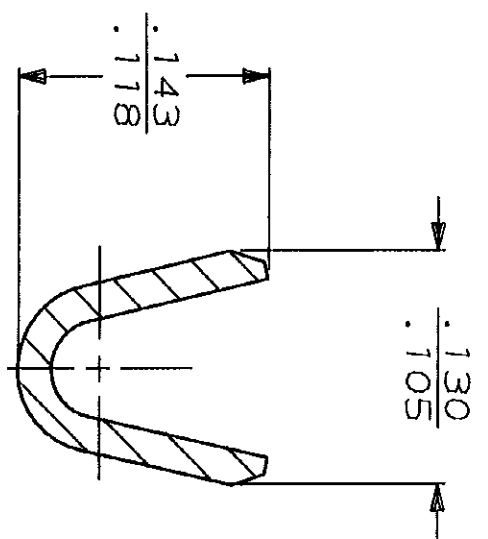


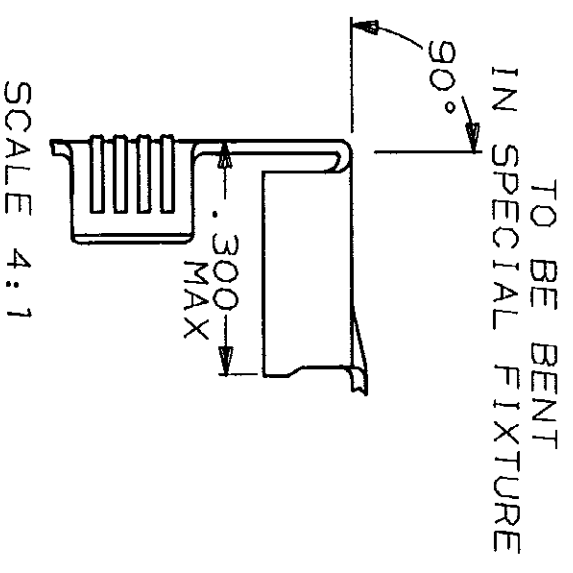
LOC	DIST	P	F	ZONE	LTR	REVISIONS	DATE	APPD
AF	50				C	REDRAWN PER AF-6482	4/11/90	PPF/JR



VIEW C-C
 SCALE 10:1



SECTION A-A
 SCALE 10:1



SCALE 4:1

STRIP LENGTH ±.015	TYPE	WIDTH	HEIGHT ±.002	WIRE
.225	F	.090	.074	16
			.067	18
			.062	20

WIRE BARREL CRIMP

DO NOT SCALE PRINT. UNLESS SPECIFIED DIMENSION IN INCHES TOLERANCES ON: 1 PLC DEC ± .015 2 PLC DEC ± .015 3 PLC DEC ± .015 ANGLES ± 1°	DR 4/11/90 P FORTNEY
MATERIAL #3 HARD PHOS BRONZE	CHK 4/11/90 JR RUTH
FINISH .00080 MIN TIN PL PER MIL-T-10727	APPD 4/11/90 G VETTER
	APPD 4/11/90 R KIZO
	PRODUCT SPEC
	APPLICATION SPEC
	WEIGHT

20-16 AWG	60733-1
WIRE RANGE	PART NO
AMP	AMP Incorporated Harrisburg, PA 17105-3608
NAME	PIN RECEPTACLE, .090 DIA
SIZE	DRAWING NO
B	60733
CAGE CODE	
00779	
SCALE	SHEET
6:1	1 OF 1