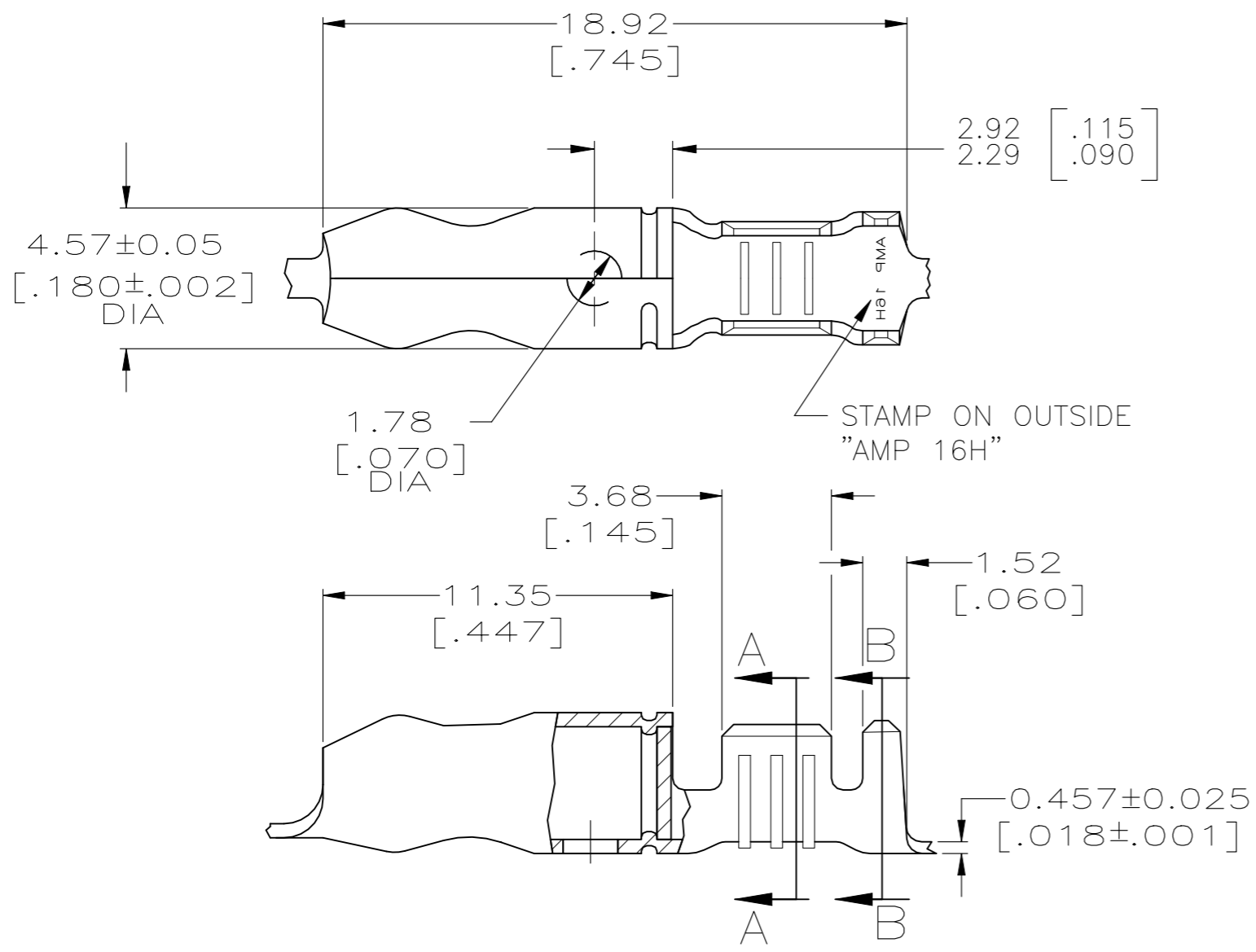
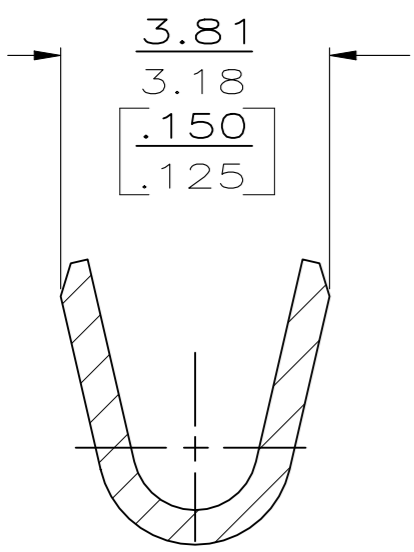


THIS DRAWING IS UNPUBLISHED. RELEASED FOR PUBLICATION
 © COPYRIGHT BY TYCO ELECTRONICS CORPORATION. ALL RIGHTS RESERVED.

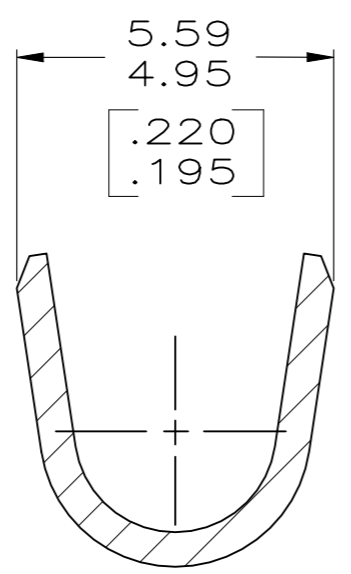
LOC	DIST	REVISIONS			
P	LTR	DESCRIPTION	DATE	DWN	APVD
AF	50	N2	REVISED PER ECR-24-210890	15JUL24	DB BW



- 1 CONTINUOUS STRIP ON REEL.
- △ 2 0.02032 [.000080] MIN TIN PLATE.
- 3 WIRE RANGE: #18-#14 AWG.
- 4 INSULATION RANGE: 3.05-4.45 [.120-.175] DIA.



SECTION A-A
SCALE 10:1



SECTION B-B
SCALE 10:1

THIS DRAWING IS A CONTROLLED DOCUMENT.	
DIMENSIONS: mm [INCHES]	TOLERANCES UNLESS OTHERWISE SPECIFIED:
	0 PLC ± -
	1 PLC ± -
	2 PLC ± 0.25 [.010]
	3 PLC ± -
	4 PLC ± -
ANGLES ± ± -	
MATERIAL SEE TABLE	FINISH SEE TABLE

-	BRASS	60660-2
△ 2	BRASS	60660-1
FINISH	MATERIAL	PART NUMBER
DWN 03JAN2007 MICHAEL S. FEHER CHK 03JAN2007 DONALD F. DECKER APVD 03JAN2007 DONALD F. DECKER PRODUCT SPEC APPLICATION SPEC WEIGHT -		Tyco Electronics Corporation Harrisburg, Pa 17105-3608 NAME SHUR PLUG, 4.57 [.180] DIA SIZE A3 CAGE CODE 00779 DRAWING NO C-60660 RESTRICTED TO - SCALE 5:1 SHEET 1 OF 1 REV N2
CUSTOMER DRAWING		