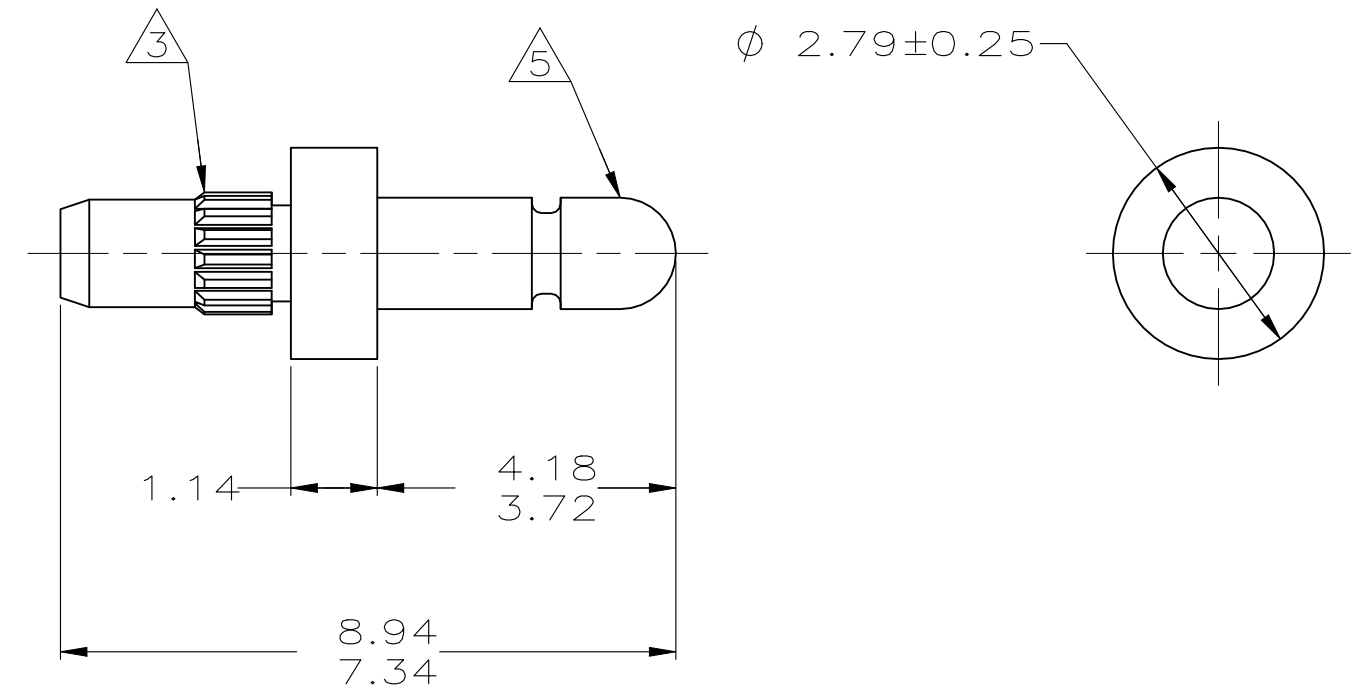


THIS DRAWING IS UNPUBLISHED. RELEASED FOR PUBLICATION
 © COPYRIGHT - By - ALL RIGHTS RESERVED.

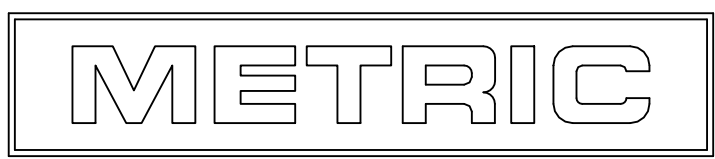
REVISIONS					
P	LTR	DESCRIPTION	DATE	DWN	APVD
	S4	RELEASED PER ECR-23-186708	05OCT23	SK	DZ



- ① 0.00381 MIN BRIGHT TIN-LEAD PLATING ALL OVER.
- ② 0.00076 MIN GOLD PLATING ALL OVER.
- ③ REED STRAIGHT TOOTH KNURL CS 80-80 T.P.I., 125 TEETH, 70° INCLUDED ANGLE. FITS 1.50 - 1.57 DIAMETER HOLE IN A 1.59 PRINTED CIRCUIT BOARD.
- 4. PARTS TO COMPLY WITH AMP SOLDERABILITY SPECIFICATION 109-11-3.
- ⑤ MATES WITH AMP PARTS 60354 AND 60598.
- ⑥ 0.00381 MIN BRIGHT TIN PLATING ALL OVER.

-	-
8.94	.352
7.34	.289
4.18	.165
3.72	.146
2.79	.110
1.59	.063
1.57	.062
1.50	.059
1.47	.058
1.14	.045
0.25	.010
0.13	.005
0.00381	.000150
0.00076	.000030
MM	IN

CONVERSION TABLE



OBSOLETE	⑥	3-60599-1
OBSOLETE	②	60599-3
OBSOLETE	⑥	60599-1
	FINISH	PART NUMBER

THIS DRAWING IS A CONTROLLED DOCUMENT.		DWN S. CARPENTER 21AUG2003	TE Connectivity		
DIMENSIONS: mm		CHK J. ELLIS 21AUG2003			
TOLERANCES UNLESS OTHERWISE SPECIFIED:		APVD J. ELLIS 21AUG2003	PRODUCT SPEC		
0 PLC ± 1 PLC ± 2 PLC ± 0.13 3 PLC ± 4 PLC ± ANGLES ±		APPLICATION SPEC			RESTRICTED TO
MATERIAL BRASS		WEIGHT 0.000000			SIZE A3
FINISH SEE TABLE		CAGE CODE 00779			DRAWING NO C-60599
		CUSTOMER DRAWING			SCALE 10:1
					SHEET 1 OF 1
					REV S4