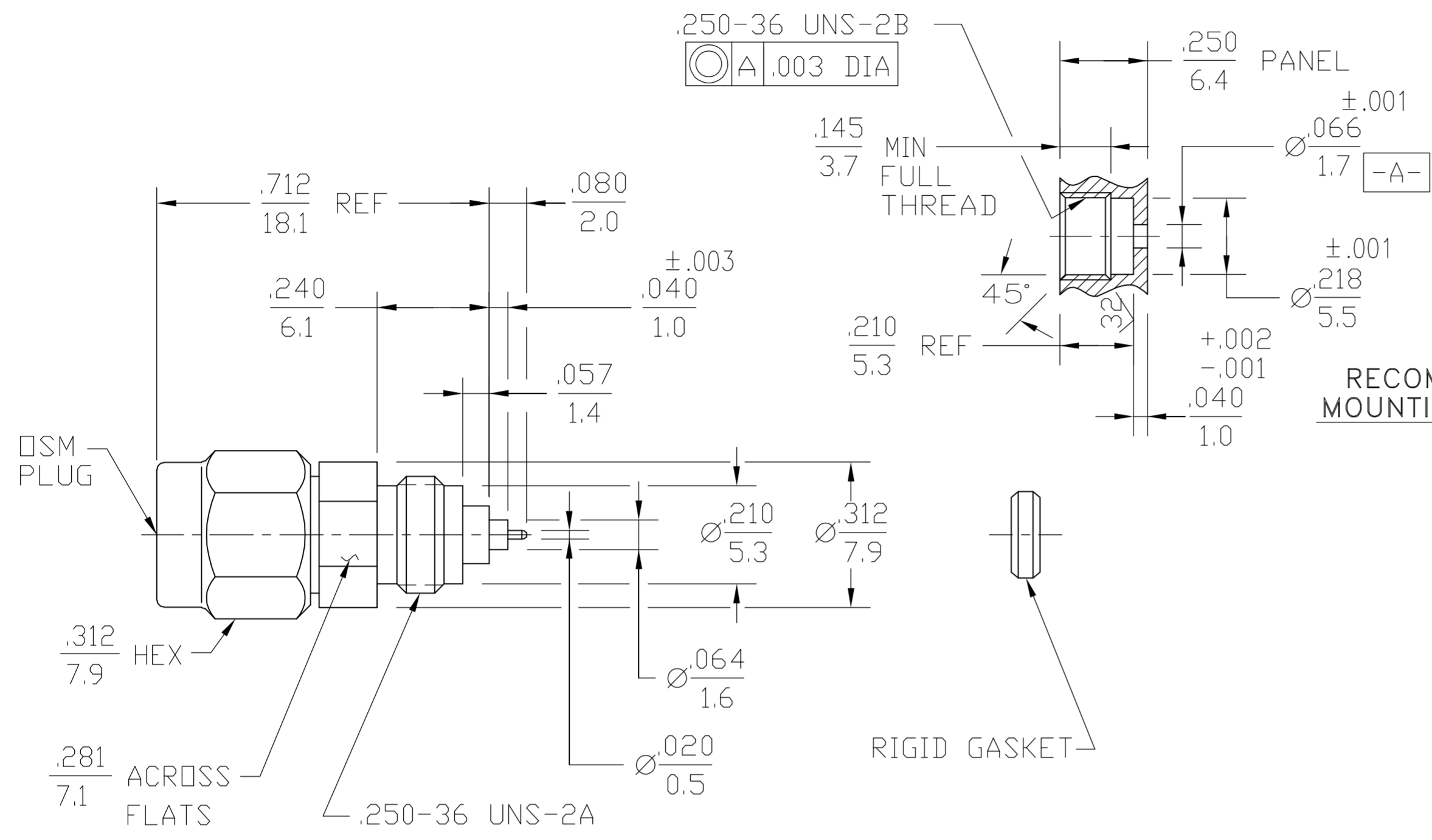


THIS DRAWING IS UNPUBLISHED. RELEASED FOR PUBLICATION
 © COPYRIGHT BY TYCO ELECTRONICS CORPORATION. ALL RIGHTS RESERVED.

LOC		DIST		REVISIONS			
P	LTR	DESCRIPTION	DATE	DWN	APVD		
		RELEASED PER EC 0514-0188-05	21OCT05	BM	KW		



RECOMMENDED MOUNTING HOLE

COMPONENT	MATERIAL	FINISH	PART NUMBER
HOUSING COUPLING NUT	STAINLESS STEEL PER ASTM-A484 AND ASTM-A582, TYPE 303	GOLD PLATED PER MIL-G-45204	
DIELECTRIC	PTFE FLUOROCARBON PER ASTM-D-1457	N/A	
CENTER CONTACT	BERYLLIUM COPPER PER ASTM-B-196 OR ASTM-B-197, ALLOY C17300, CONDITION H	GOLD PLATE PER MIL-G-45204	
RETAINING RING	BERYLLIUM COPPER PER ASTM-B-194, ALLOY C17200, CONDITION H	N/A	
CONTACT EXT BUSHING	IRON-NICKEL-COBALT ALLOY PER MIL-1-23011 CLASS 1 (KOVAR)	GOLD PLATE PER MIL-G-45204	
GASKET	SILICONE RUBBER PER ZZ-R-765	N/A	
RIGID GASKET	SAE C12L14 STEEL	SILVER PLATED PER QQ-S-365	
HERMETIC SEAL	GLASS BEAD	N/A	

ELECTRICAL	MECHANICAL	ENVIRONMENTAL
Nominal Impedance (Ohms) 50	Interface Dimensions MIL-STD-348A	TEMPERATURE RATING -65°C TO +125°C
Frequency Range (GHz) DC - 18	Fig. 310.1	Vibration - MIL-STD-202, Method 204, Condition D, 20G's
VSWR 1.04 +.009f(GHz)	Recommended Mating	Shock - MIL-STD-202, Method 213, Condition I, 100G's
Insertion Loss (dB MAX) .04 √f(GHz)	Torque 7 - 10 in-lbs	Thermal Shock MIL-STD-202, Method 107, Condition B
RF Leakage (dB MIN) -(100 - f(GHz))	Mating Characteristics:	Moisture Resistance - MIL-STD-202, Method 106
Corona, 70,000 Ft (VRMS MIN) 333	Insertion (MAX Lbs) N/A	Corrosion - MIL-STD-202, Method 101, Condition B, 5% salt spray
Dielectric Withstanding Voltage (VRMS MIN) 1000 @ sea level	Withdrawal (MIN Oz) N/A	
Contact Resistance (Milliohms MAX)	Force To Engage (In-Lbs MAX) 2.0	
Center Contact 10.0	Force To Disengage (In-Lbs MAX) 2.0	
Outer Contact 2.0	Center Contact Captivation	
RF High Potential @ sea level (VRMS MIN @ 5 MHz) 667	Axial (Lbs) 6.0	
I.R.(Megohms) 5000	Radial (In-Oz) N/A	
	Weight (Grams) T.B.D.	

THIS DRAWING IS A CONTROLLED DOCUMENT.

DIMENSIONS: INCHES(mm)	TOLERANCES UNLESS OTHERWISE SPECIFIED:	DWN B. MCMASTER 21OCT05	Tyco Electronics Corporation Harrisburg, PA 17105-3608
		CHK K. WEIDNER 21OCT05	
		APVD K. WEIDNER 21OCT05	
		PRODUCT SPEC	
		APPLICATION SPEC	NAME OSM PLUG-THD, MTD NON HERMETIC, ENVIROMENTALLY DURABLE
MATERIAL	FINISH	WEIGHT	SIZE CAGE CODE DRAWING NO RESTRICTED TO
			A2 00779 C=6053130
CUSTOMER DRAWING			SCALE 4:1 SHEET 1 of 1 REV 0

6053130

A