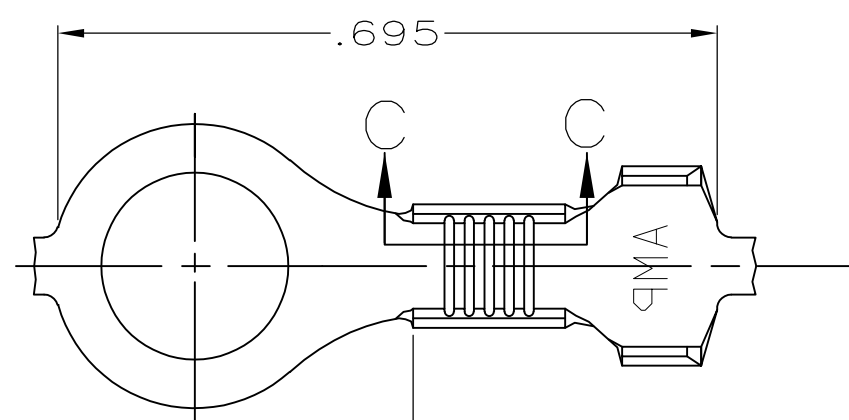
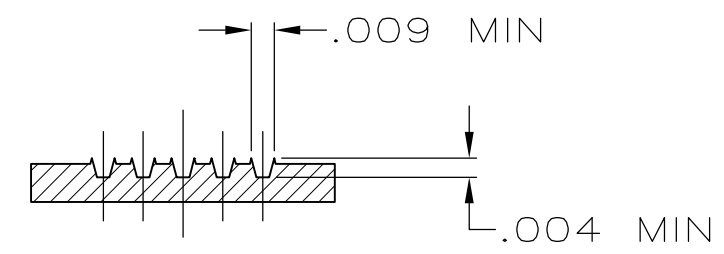
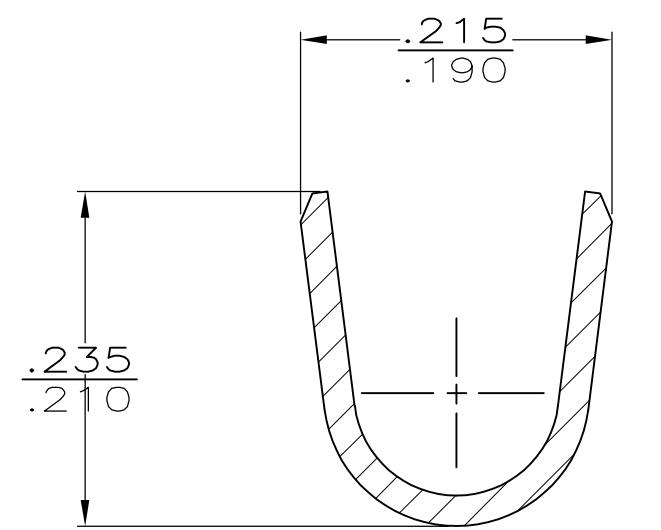
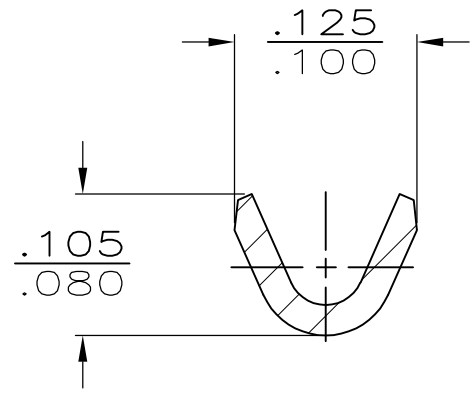
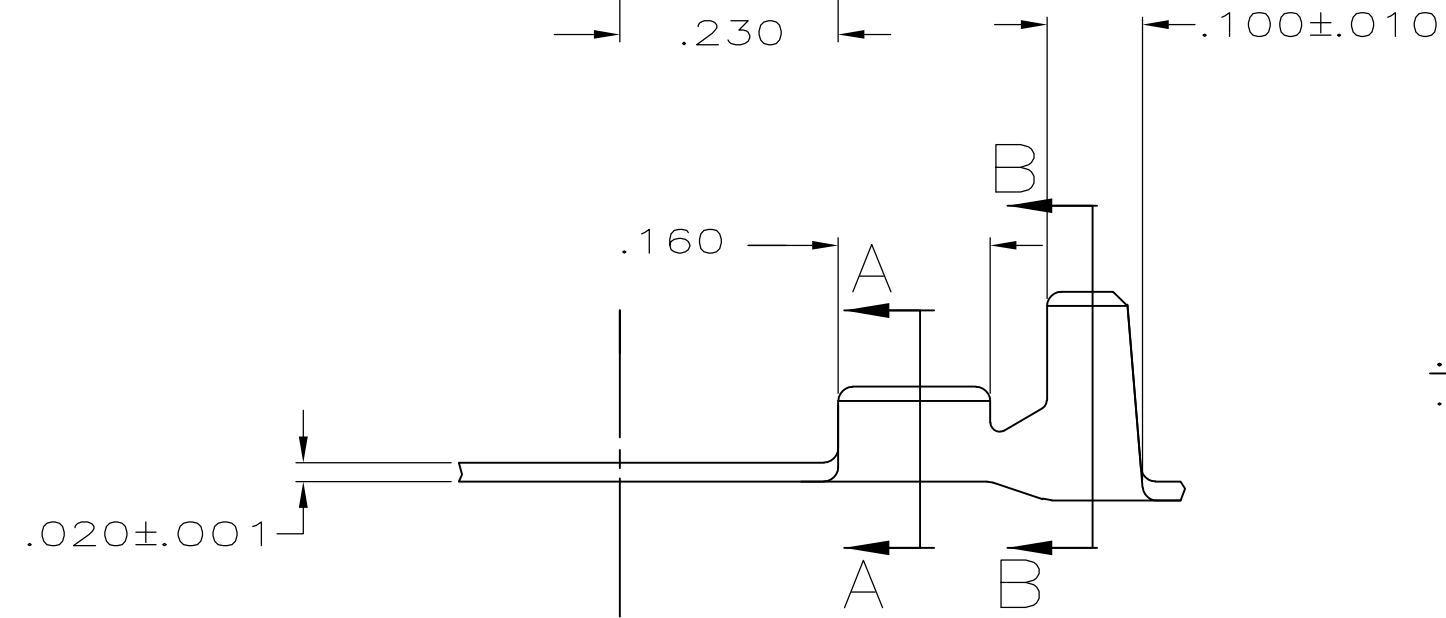


THIS DRAWING IS UNPUBLISHED. RELEASED FOR PUBLICATION  
 © COPYRIGHT - By TYCO ELECTRONICS CORPORATION. ALL RIGHTS RESERVED.

LOC	DIST	REVISIONS					
		P	LTR	DESCRIPTION	DATE	DWN	APVD
AF	50		G	REVISE PER ECR-13-013738	15FEB2014	GRZ	JL



1 CONTINUOUS STRIP ON REELS



.125-.165 DIA	23-19 AWG	60325-2
INSULATION RANGE	MAGNET WIRE RANGE	PART NUMBER

THIS DRAWING IS A CONTROLLED DOCUMENT.		DWN P FORTNEY 3/1/90	<b>STE</b> TE Connectivity		
		CHK MS FEHER 3/1/90			
DIMENSIONS: INCHES	TOLERANCES UNLESS OTHERWISE SPECIFIED:	APVD G YETTER 3/1/90	NAME #10 STUD, RING,AMPLIVAR		
		PRODUCT SPEC R KUZO 3/10/90			
		APPLICATION SPEC	SIZE A3 CAGE CODE 00779 DRAWING NO C-60325 RESTRICTED TO		
MATERIAL BRASS	FINISH .000080 MIN TIN PL PER MIL-T-10727	WEIGHT -			
CUSTOMER DRAWING			SCALE 5:1	SHEET 1 OF 1	REV G