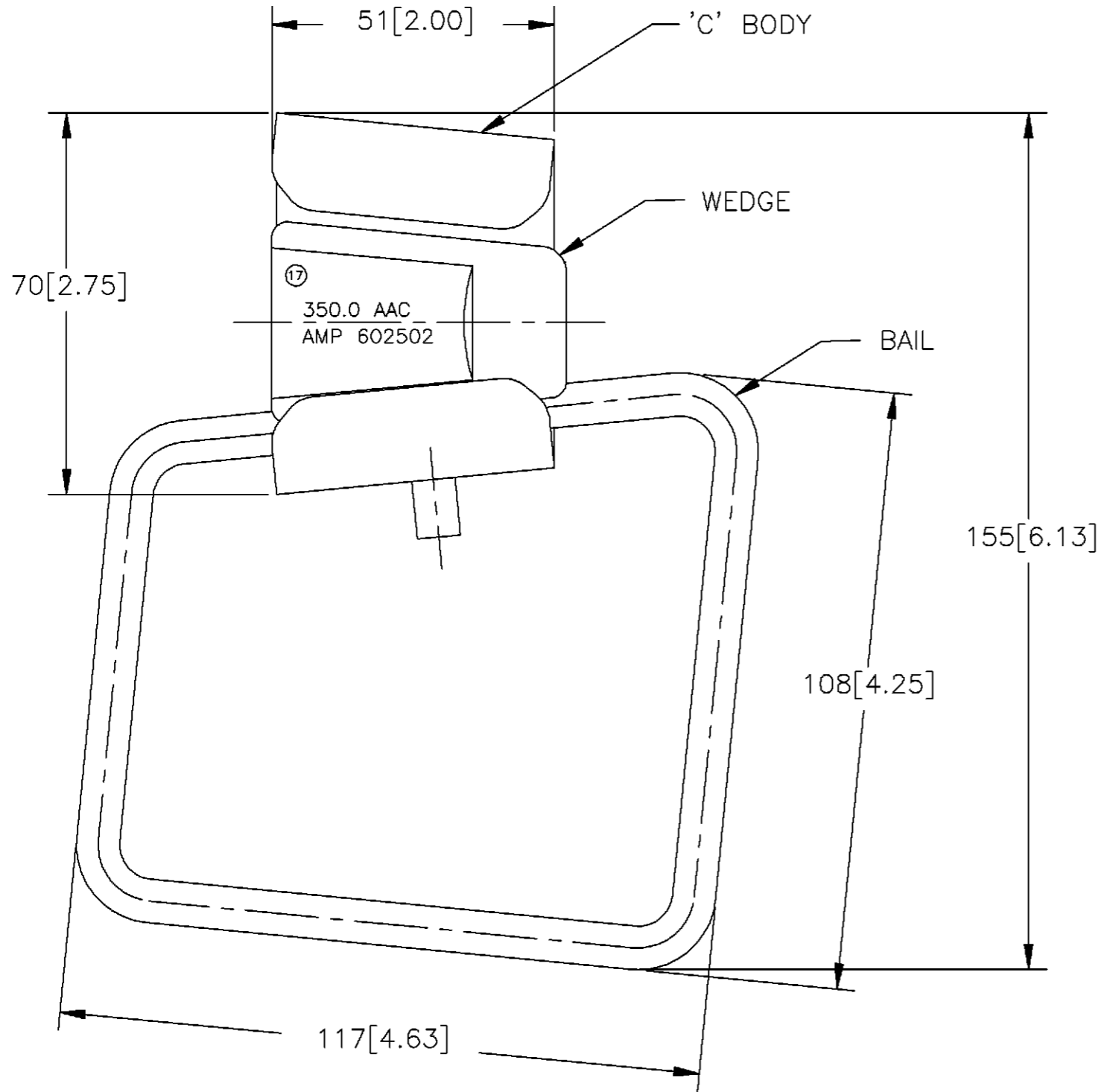


THIS DRAWING IS UNPUBLISHED. RELEASED FOR PUBLICATION ,19 .
 © COPYRIGHT 19 BY AMP INCORPORATED. ALL RIGHTS RESERVED.

LOC	DIST	REVISIONS			
P	LTR	DESCRIPTION	DATE	DWN	APVD
BG	1	01	REV & REDRAWN PER LC00-0101-96	25SEP96	MS BJ



1. DIMENSIONS ARE FOR REFERENCE ONLY.
2. USE BLUE SHELL NO. 69338-1
3. INHIBITOR IS APPLIED AT FACTORY TO GROOVES OF BODY & WEDGE.

WIRE RANGE ACCOMMODATED:			
THRU WIRE	STRAINED	ACSR STANDARD ROUND	266.8 ⁶ / ₇ , 18 ²⁴ / ₇ , 26 ²⁶ / ₇ , 30 ³⁰ / ₇ 300.0 ¹⁸ / ₁ , ²⁴ / ₇ , ²⁶ / ₇ , 336.4 ¹⁸ / ₁
		AAAC 6201-5005	281.4, 307.1 312.8, 355.1
		AAC STANDARD ROUND	300.0, 336.4, 350.0
		COPPER STANDARD ROUND	250.0, 300.0, 350.0
		AAC COMPRESSED	336.4, 350.0, 397.5
		ACSR COMPRESSED	336.4, 397.5 ¹⁸ / ₁
		AWAC, ACAR	336.4 ¹⁸ / ₁ , 343.6 ¹⁵ / ₄ 355.0 ¹⁵ / ₄ , ¹² / ₇
		ALUMOWELD COPPERWELD	4/0 E 7 NO. 4 19 NO. 8
		GALVANIZED STEEL	5/8"
		SOLID: AL OR CU	

1	BAIL	TIN PLATED COPPER
1	WEDGE	ALUMINIUM ALLOY
1	"C" BODY	ALUMINIUM ALLOY
-0	DESCRIPTION	MATERIAL & FINISH

THIS DRAWING IS A CONTROLLED DOCUMENT FOR AMP INCORPORATED. IT IS SUBJECT TO CHANGE AND THE CONTROLLING ENGINEERING ORGANIZATION SHOULD BE CONTACTED FOR THE LATEST REVISION.		DRAWN BY: M.SAYMAN 25 SEP 96 CHECKED BY: P.CHAN 04 NOV 96 APPROVED BY: B.JOHNSON 04 NOV 96 PRODUCT SPEC APPLICATION SPEC WEIGHT - CUSTOMER DRAWING	AMP AMP of Canada Ltd Markham, Ontario AMPACT STIRRUP ASSY, BLUE CODED, 1/0 BAIL SIZE: A3 CAGE CODE: 00779 DRAWING NO: ©-602502 SCALE: 1:1 SHEET: 1 OF 1 REV: 01
DIMENSIONS: mm [INCHES] 	TOLERANCES UNLESS OTHERWISE SPECIFIED: 0 PLC ±- 1 PLC ±- 2 PLC ±- 3 PLC ±- 4 PLC ±- ANGLES ±- FINISH	MATERIAL: SEE TABLE FINISH: SEE TABLE	