

THIS DRAWING IS UNPUBLISHED.

RELEASED FOR PUBLICATION

,19

© COPYRIGHT 19

BY AMP INCORPORATED. ALL RIGHTS RESERVED.

LOC

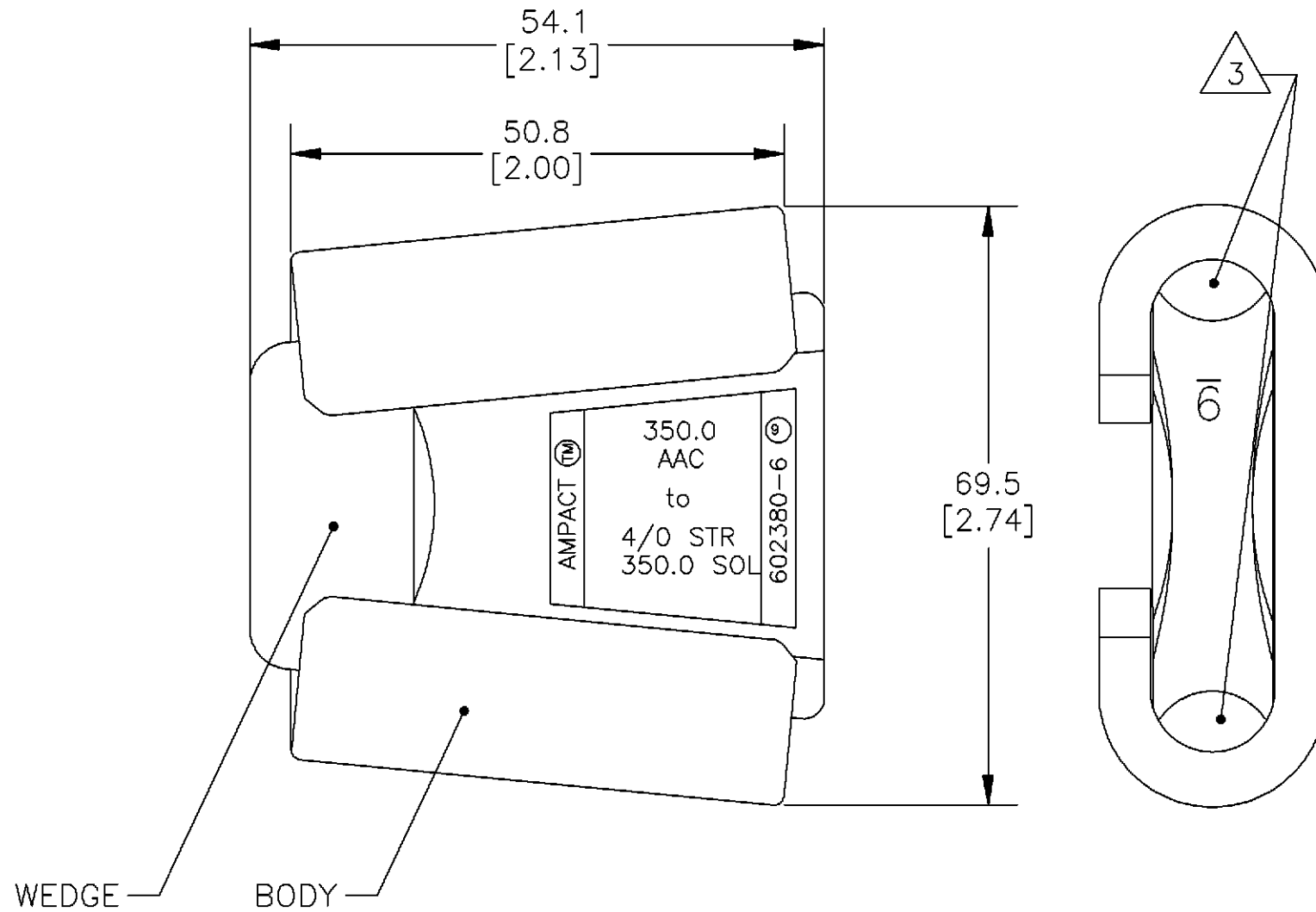
DIST

REVISIONS

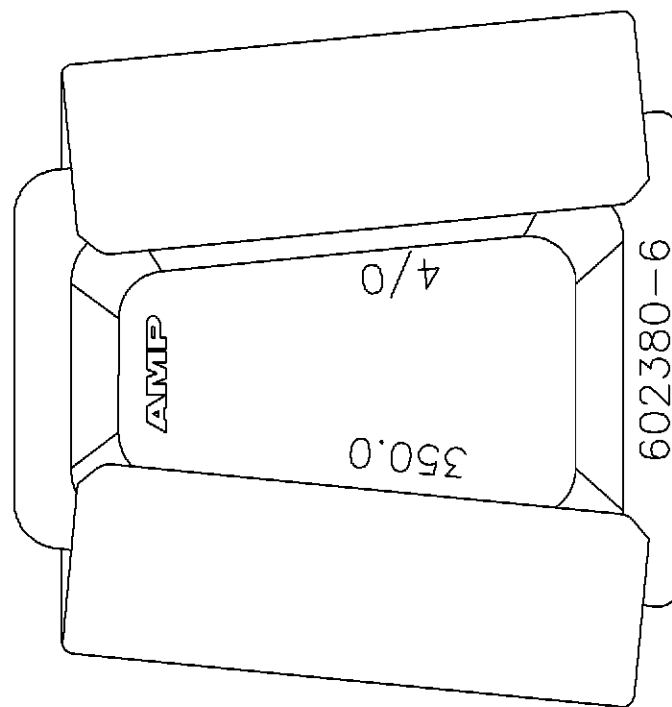
BG

1

P	LTR	DESCRIPTION	DATE	DWN	APVD
	B	REDRAWN & REVISED PER LC00-0101-97	20OCT97	DR	PC



1. DIMENSIONS ARE FOR REFERENCE ONLY
2. USE BLUE CARTRIDGE, PART NUMBER 69338-1
- 3 INHIBITOR IS APPLIED AT FACTORY TO GROOVES OF BODY AND WEDGE
4. APPEARANCE OF WEDGE MAY VARY, AS SHOWN IN 'ALTERNATE WEDGE' VIEW.
5. MARKING ON WEDGE MAY NOT BE EXACTLY AS SHOWN.



ALTERNATE WEDGE

350.0 AAC TO 350.0 AAC	16	602380-7
350.0 AAC TO 4/0 STR., 350.0 SOL.	9	602380-6
350.0 AAC TO 3/0 STR., 300.0 SOL.	7	602380-5
350.0 AAC TO 2/0 STR., 4/0 SOL.	6	602380-4
350.0 AAC TO 1/0 STR., 2/0, 3/0 SOL.	5	602380-3
350.0 AAC TO #2 STR., 1/0 SOL.	17	602380-2
350.0 AAC TO #4 STR., #2 SOL.	18	602380-1
350.0 AAC TO #6 STR., #4 SOL.	19	602380
WIRE SIZE	IDENT. NO.	PART NO.

DIMENSIONS:		TOLERANCES UNLESS OTHERWISE SPECIFIED:		DRAWN BY:		AMP		AMP of Canada Ltd	
mm [INCHES]				10/OCT/97				Markham, Ontario	
0 PLC ±-		1 PLC ±0.8[.03]		D.RENNOX					
2 PLC ±-		3 PLC ±-		CHECKED BY:					
4 PLC ±-		ANGLES ±-		H.HENRY					
MATERIAL		FINISH		APPROVED BY:		NAME		CONNECTOR, 350.0 SERIES,	
ALUMINUM ALLOY		-		P.CHAN		SIZE		BLUE CODED, AMPACT	
				PRODUCT SPEC		CAGE CODE		DRAWING NO	
				APPLICATION SPEC		A3		00779	
				WEIGHT		DRAWING NO		RESTRICTED TO	
				-		C= 602380		-	
				CUSTOMER DRAWING		SCALE		SHEET	
						NTS		1 OF 1	
								REV	
								B	