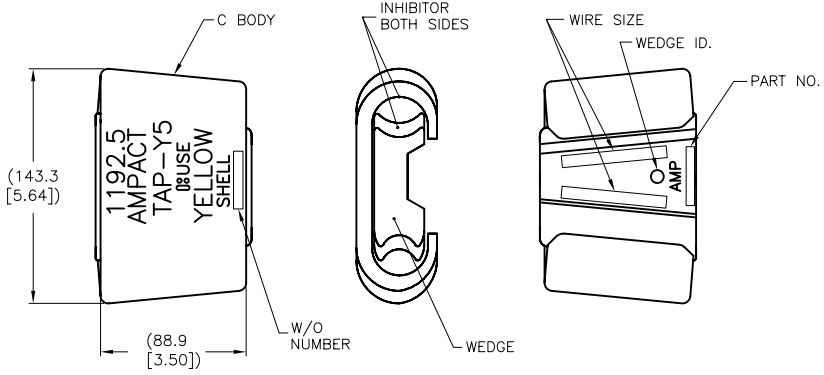
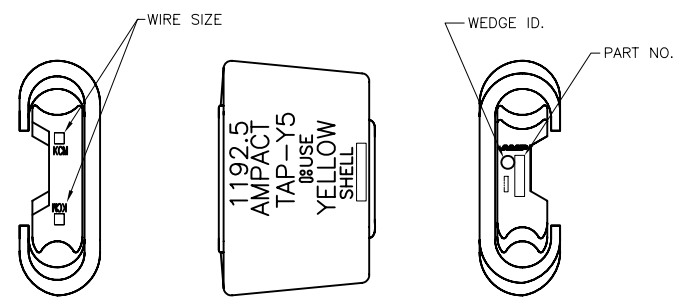


LOC	DIST	REVISIONS					
GA	1	P	LTR	DESCRIPTION	DATE	DWN	APVD
		F		LC20-0029-09 / ECO-09-010312	16MAR2009	DM	BJ

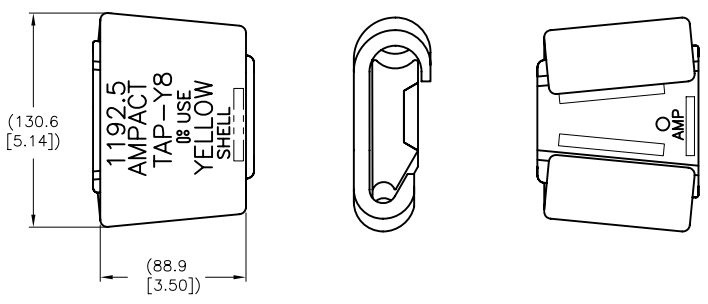
D
C
B
A



ASSEMBLY A



ALTERNATE MARKING



ASSEMBLY B

1. DRAWING IS RESTRICTED FOR NGC USE ONLY
2. APPLICABLE SPECIFICATION NGTS 3.4.6
3. DIMENSIONS ARE FOR REFERENCE ONLY.
4. INHIBITOR IS APPLIED AT FACTORY TO GROOVES OF 'C' BODY AND WEDGE.
5. WIRE SIZES ARE MARKED ON WEDGE.
6. USE YELLOW CARTRIDGE PART #69338-4

B	99	1192.5 & 1272 AAC - #6	1-602300-7	
	98	1192.5 & 1272 AAC - #4	1-602300-6	
	97	1192.5 & 1272 AAC - #2	1-602300-5	
	96	1192.5 & 1272 AAC - 1/0	1-602300-4	
	95	1192.5 & 1272 AAC - 2/0	1-602300-3	
	94	1192.5 & 1272 AAC - 3/0	1-602300-2	
	93	1192.5 & 1272 AAC - 4/0	1-602300-1	
	92	1192.5 & 1272 AAC - 266.8	1-602300-0	
	A	91	1192.5 & 1272 AAC - 336.4	602300-9
		90	1192.5 & 1272 AAC - 397.5	602300-8
89		1192.5 & 1272 AAC - 477.0	602300-7	
88		1192.5 & 1272 AAC - 556.5	602300-6	
87		1192.5 & 1272 AAC - 636.0	602300-5	
86		1192.5 & 1272 AAC - 715.5	602300-4	
85		1192.5 & 1272 AAC - 795.0	602300-3	
84		1192.5 & 1272 AAC - 954.0	602300-2	
83	1192.5 & 1272 AAC -1033.5	602300-1		
69	1192.5 & 1272 AAC	602300		
ASSEMBLY	WEDGE ID	WIRE SIZE	PART NO.	

THIS DRAWING IS A CONTROLLED DOCUMENT.		DWN D. MURUGIAH 16MAR2009	Tyco Electronics Corporation Markham, ON L3R 1E1	
DIMENSIONS: mm		CHK B. JOHNSON 16MAR2009	NAME CONNECTOR, AMPACT, 1192.5 SERIES, YELLOW CODED	
TOLERANCES UNLESS OTHERWISE SPECIFIED: 0 PLC ± 1 PLC ± 2 PLC ± 3 PLC ± 4 PLC ± ANGLES ±		APVD B. JOHNSON 16MAR2009	DRAWING NO A300779-602300	
MATERIAL ALUM ALLOY		FINISH -	SIZE A3	RESTRICTED TO -
		PRODUCT SPEC -	CAGE CODE 00779	SCALE NTS
		APPLICATION SPEC -	DRAWING NO 602300	SHEET 1 OF 1
		WEIGHT -	CUSTOMER DRAWING	REV F