

4

3

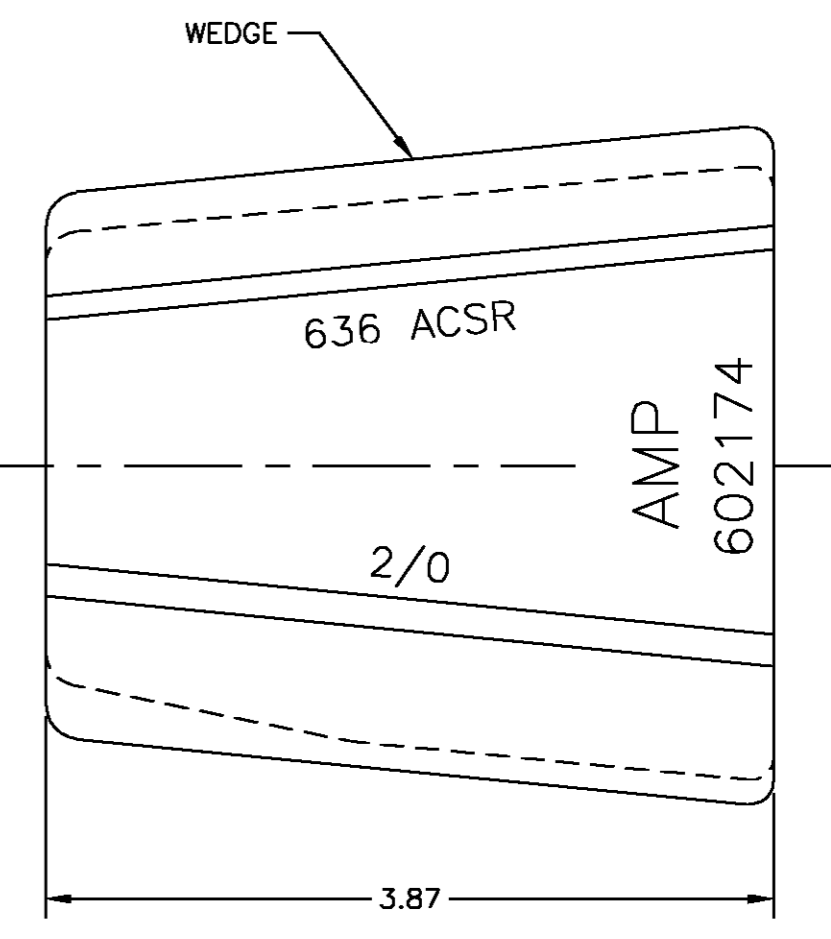
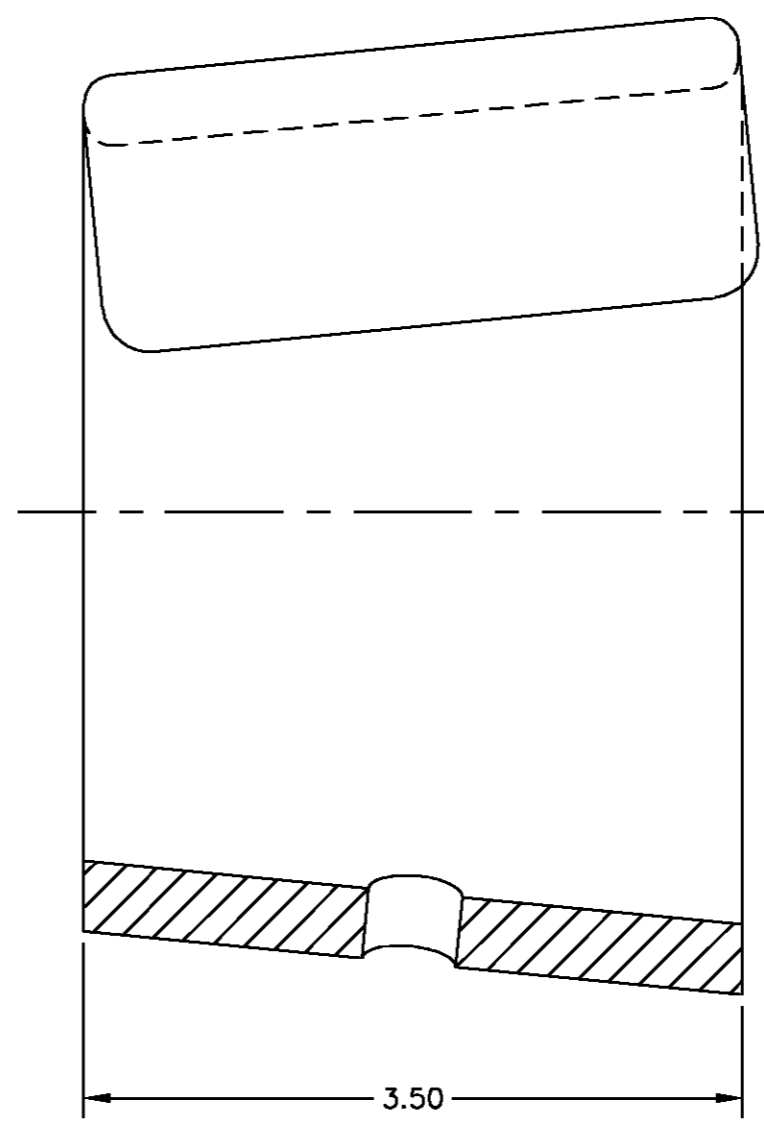
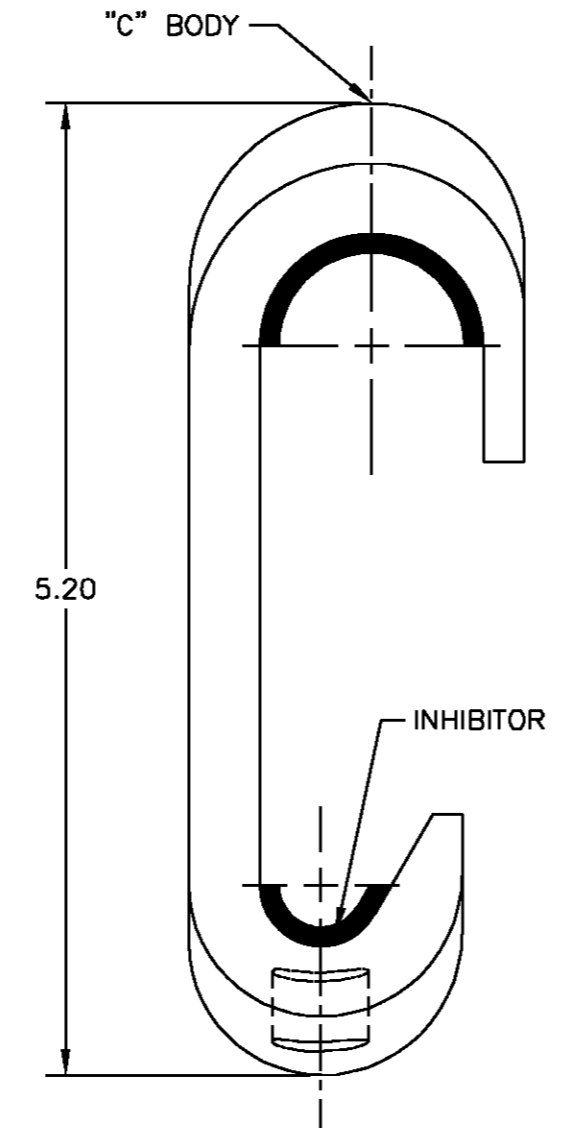
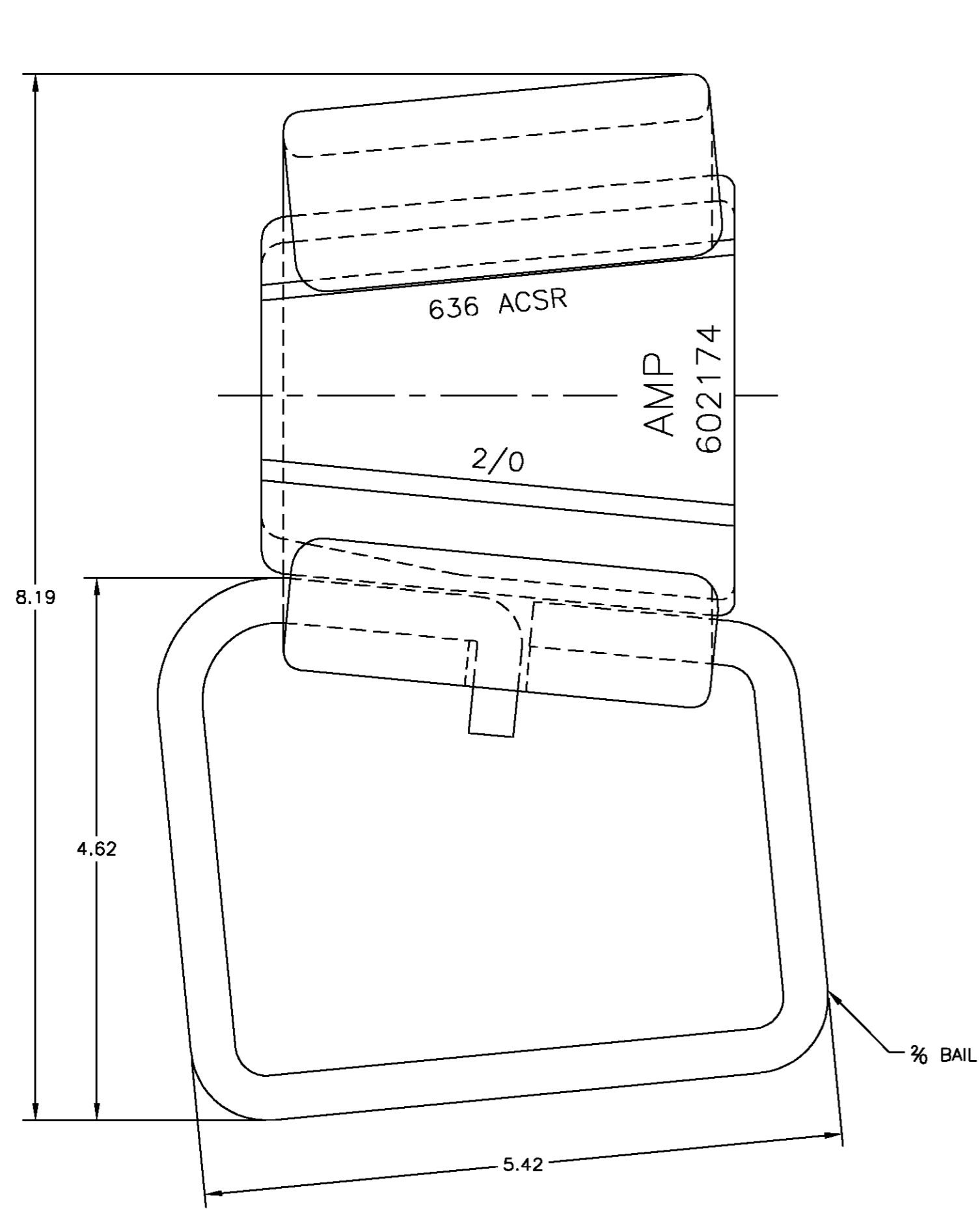
2

1

THIS DRAWING IS UNPUBLISHED. RELEASED FOR PUBLICATION WEDNESDAY, DECEMBER, 12 DEC 01  
 © COPYRIGHT 2001 BY TYCO ELECTRONICS CORPORATION. ALL RIGHTS RESERVED.

LOC	DIST	REVISIONS			
P	LTR	DESCRIPTION	DATE	DWN	APVD
GA	1	A	REDRAWN PER LC20-0077-01	12 DEC 01	CD BJ

1. DIMENSIONS ARE FOR REFERENCE ONLY.
2. INHIBITOR IS APPLIED AT FACTORY TO GROOVES OF 'C' BODY AND WEDGE.
3. WIRE SIZES ARE MARKED ON WEDGE.
4. USE YELLOW SHELLS PART NO 69338-4.



QTY REQD PER ASSY	PARTS LIST
1	TIN PLATED COPPER BAIL
1	ALUM ALLOY WEDGE
1	ALUM ALLOY 'C' BODY
-	MATERIAL DESCRIPTION

THIS DRAWING IS A CONTROLLED DOCUMENT.		DWN C. DAVID 12 DEC 01	Tyco Electronics Corporation Markham, ON L3R 1E1
DIMENSIONS: INCHES		CHK D. LADIN 20 DEC 01	
TOLERANCES UNLESS OTHERWISE SPECIFIED:		APVD B. JOHNSON 20 DEC 01	NAME STIRRUP, 636 ACSR TO 2/0 BAIL, YELLOW CODED, AMPACT
0 PLC ± 1 PLC ± 2 PLC ± .02 3 PLC ± 4 PLC ± ANGLES ± 0' 30"		APPLICATION SPEC	SIZE A2
MATERIAL SEE TABLE		FINISH SEE TABLE	CAGE CODE 00779
		WEIGHT	DRAWING NO 602174
		CUSTOMER DRAWING	RESTRICTED TO
		SCALE 1:1	SHEET 1 OF 1 REV A