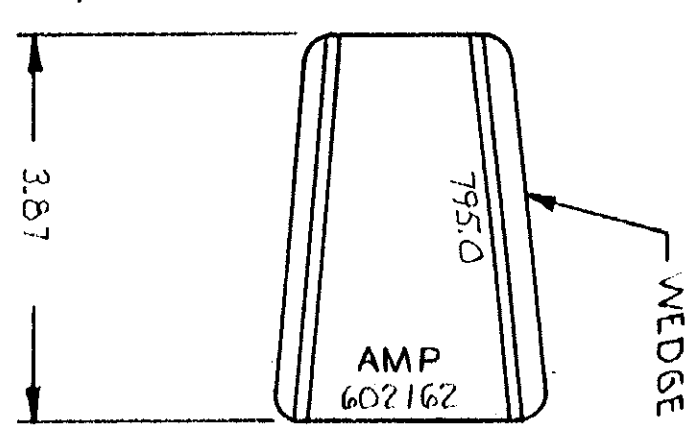
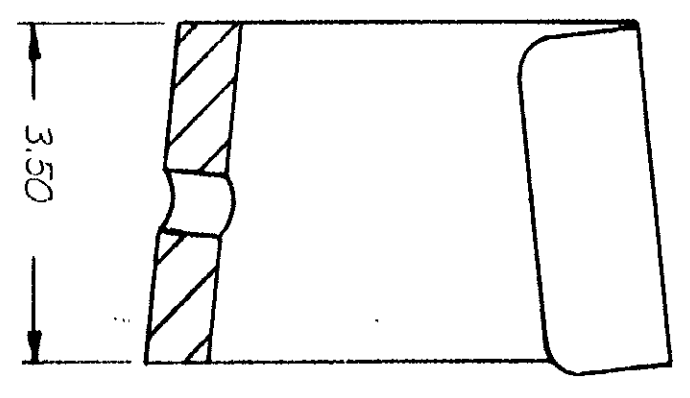
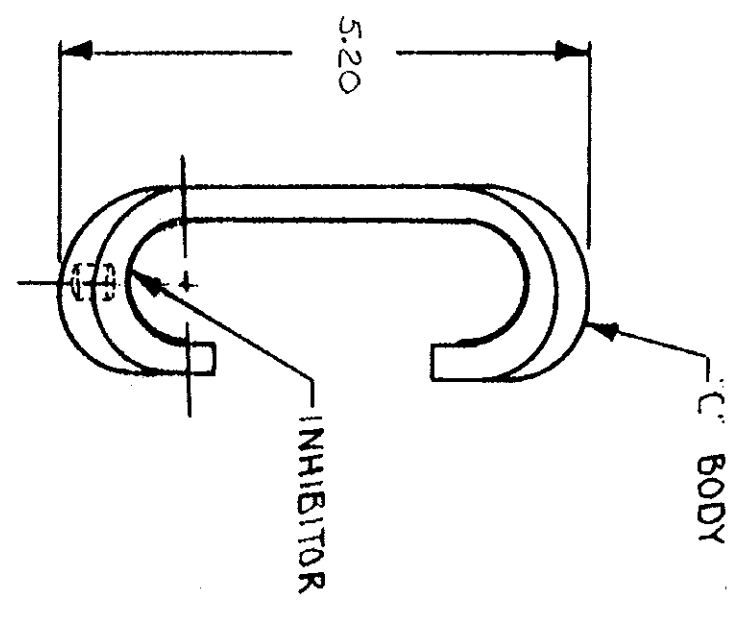
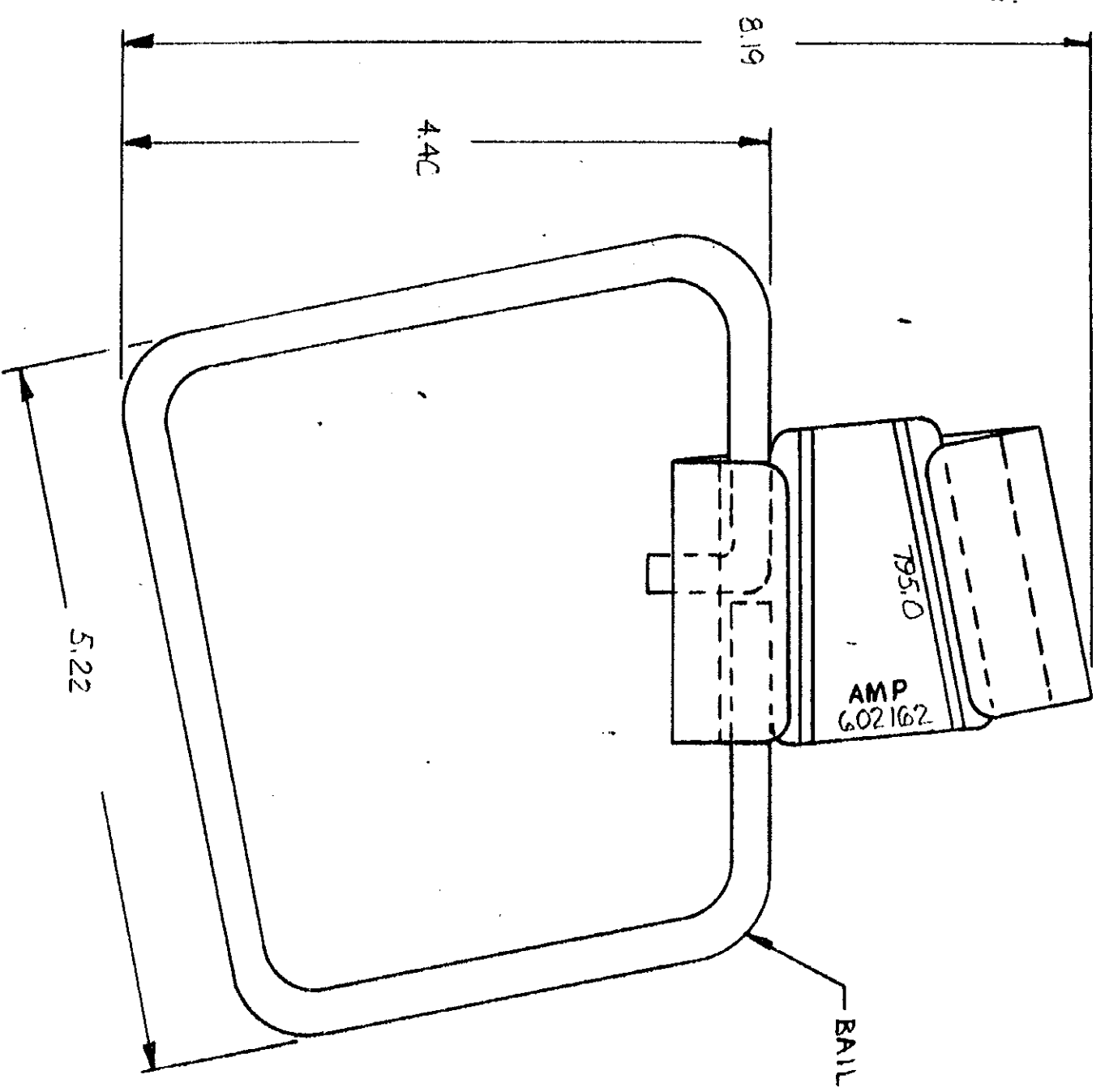


UNPUBLISHED COPY
 REPRODUCED WITHOUT PERMISSION
 OF AMP INCORPORATED



DATE	APPROVED	LOC. CUST
0 NPS 67-1525	5-29	AK 26

1	BAIL	COPPER (ASTM B3) TIN PL. (MIL-T-10727)
1	WEDGE	ALUM. (A344 ALLOY) AS CAST
1	'C' BODY	ALUM. ALLOY (QA-R-200/B) CLEANED
	DESCRIPTION	MATERIAL & FINISH

UNLESS OTHERWISE SPECIFIED DIMENSIONS ARE IN INCHES.
 TOLERANCES ON:
 DECIMALS ± .02
 ANGLES ± 0.5°

MATERIAL (SEE TABLE)
 FINISH (SEE TABLE)

CONTRACT NO	DR	CHK	APPD	DSGN APPD	OTHER APPD
	Joe Di Giorgio 5-6-75	Joe Di Giorgio 5-7-75	C. Gardner 5/21/75	C. Gardner 5/21/75	

NAME	SCALE	SIZE	CODE IDENT NO	NUMBER
AMPACT STIRRUP ASSY	NT.S.	C	00779	602162

