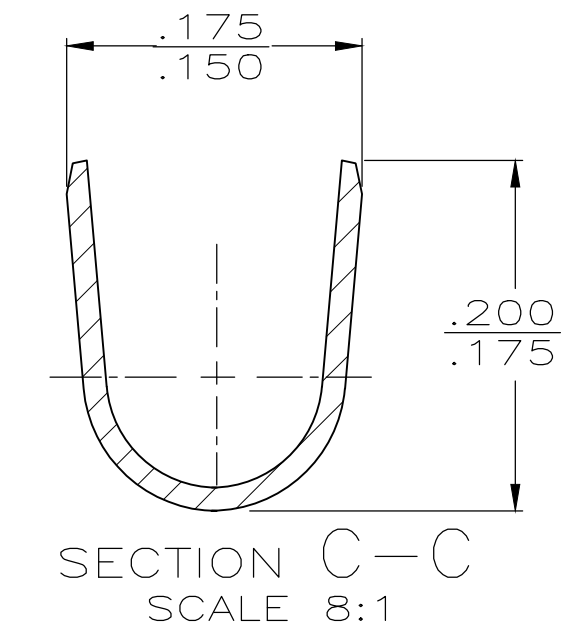
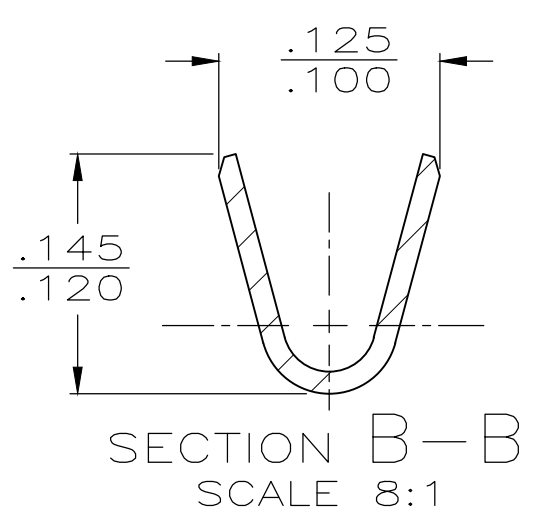
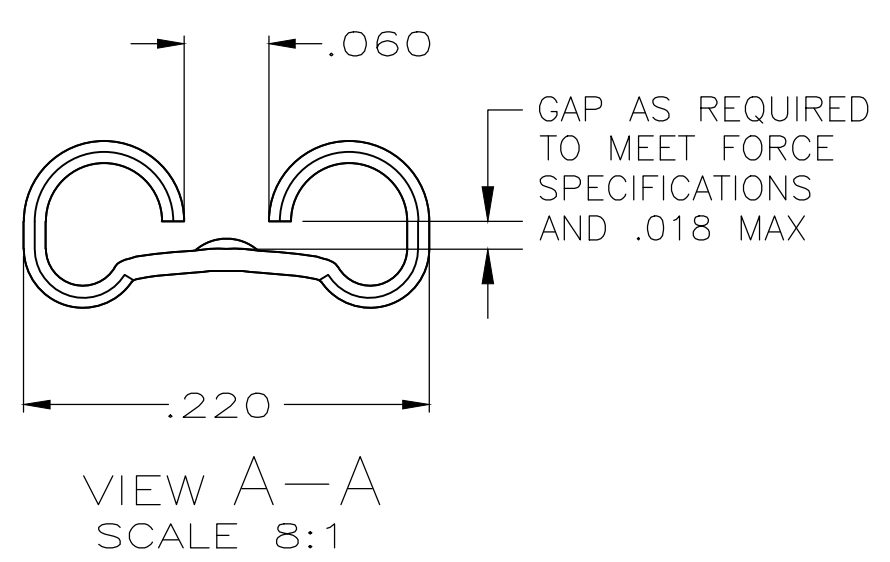
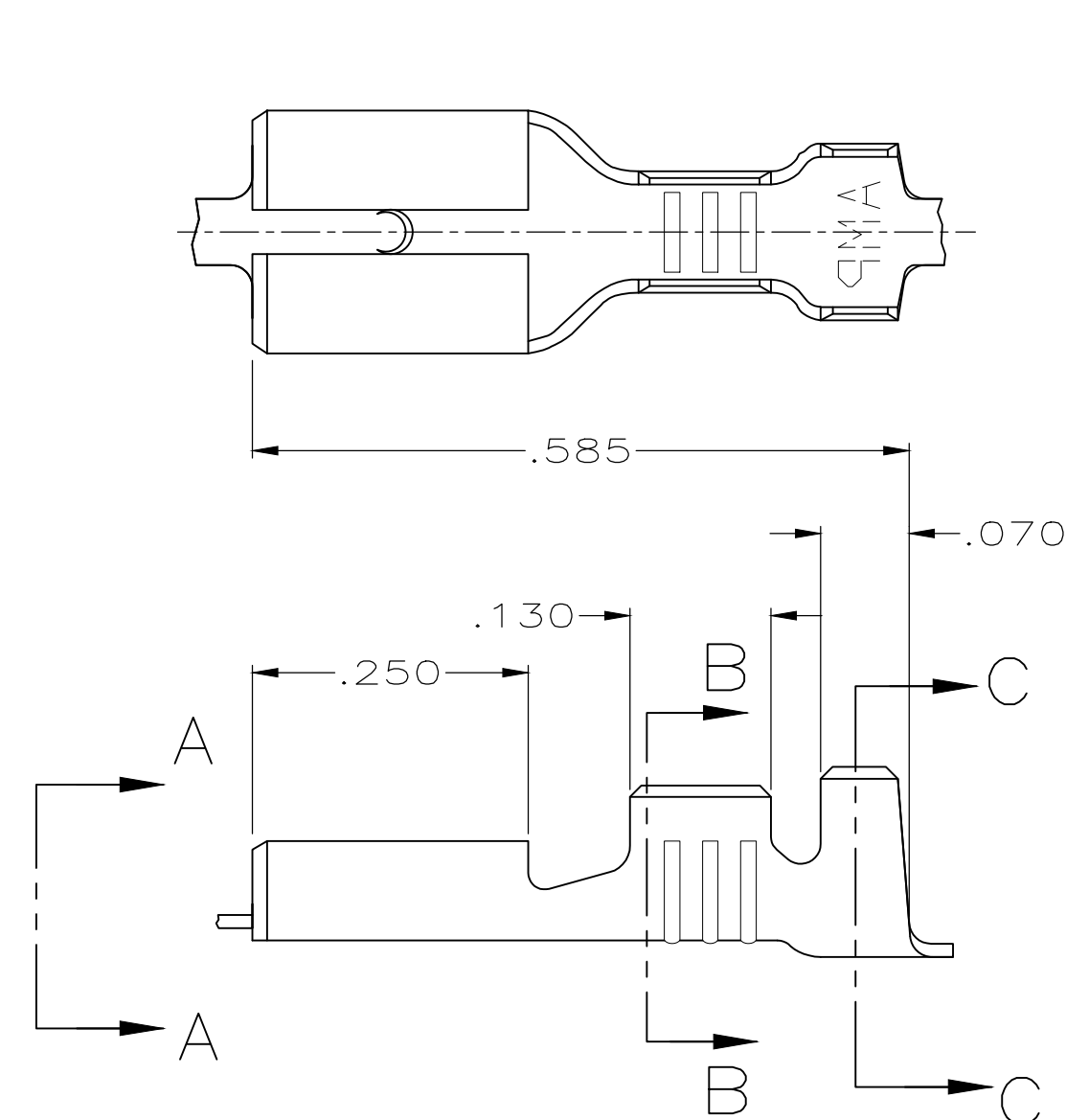


THIS DRAWING IS UNPUBLISHED. RELEASED FOR PUBLICATION
 © COPYRIGHT - By - ALL RIGHTS RESERVED.

LOC	DIST	REVISIONS			
P	LTR	DESCRIPTION	DATE	DWN	APVD
AF	50	Y3	REVISED PER ECR-20-009164	07AUG2020	MK DH



- 1 CONTINUOUS STRIP ON REELS
- 2 MATING TAB THK IS .021-.019
- 3 WIRE SIZE IS #20-#16 AWG
- 4 INSULATION RANGE IS .090-.130 DIA
- △5 60214-3 REFERS TO 60214-1 WITH PAPER INTERLAYER.

-	BRASS	△5 60214-3
TIN	BRASS	60214-2
-	BRASS	60214-1
FINISH	MATERIAL	PART NO.

THIS DRAWING IS A CONTROLLED DOCUMENT.		DWN	JR RUTH	10/27/89
DIMENSIONS: INCHES		CHK	MS FEHER	10/27/89
TOLERANCES UNLESS OTHERWISE SPECIFIED:		APVD	C MEYERS	10/27/89
0 PLC	± -	PRODUCT SPEC		
1 PLC	± -	APPLICATION SPEC		
2 PLC	± -	WEIGHT		
3 PLC	± .015	-		
4 PLC	± -	-		
ANGLES	± -	-		
MATERIAL	SEE TABLE	FINISH		
	SEE TABLE	-		

STE TE Connectivity			
NAME RECEPTACLE, FASTON, .187 SERIES			
SIZE	CAGE CODE	DRAWING NO	RESTRICTED TO
A3	00779	C-60214	-
CUSTOMER DRAWING		SCALE	SHEET
		6:1	1 OF 1
		REV	Y3