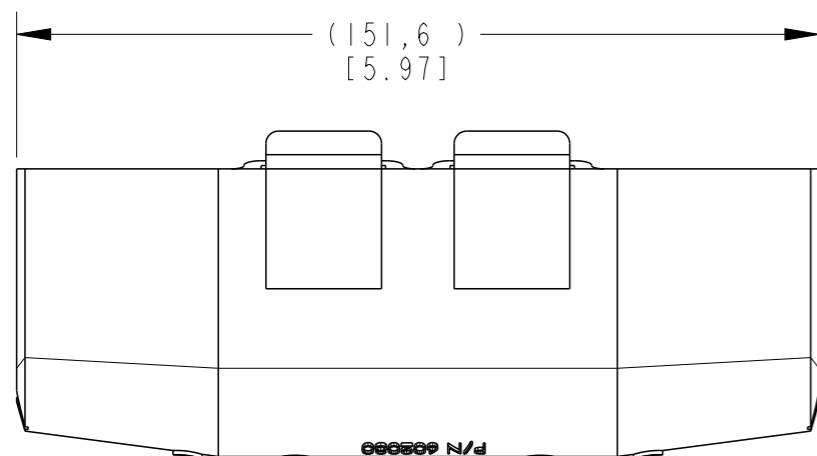
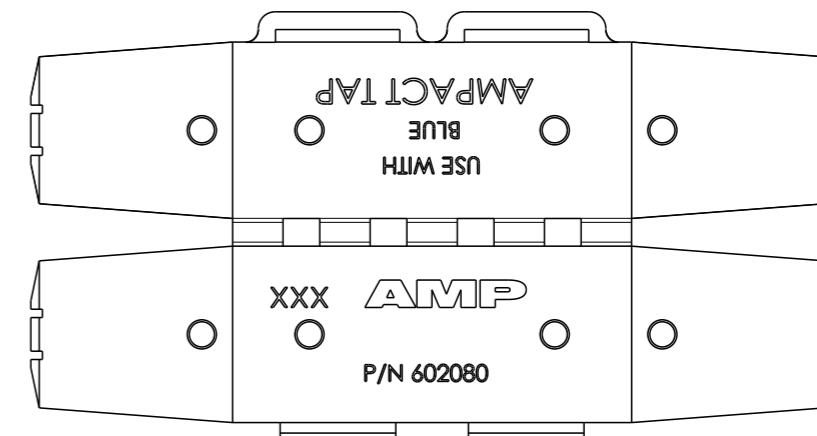
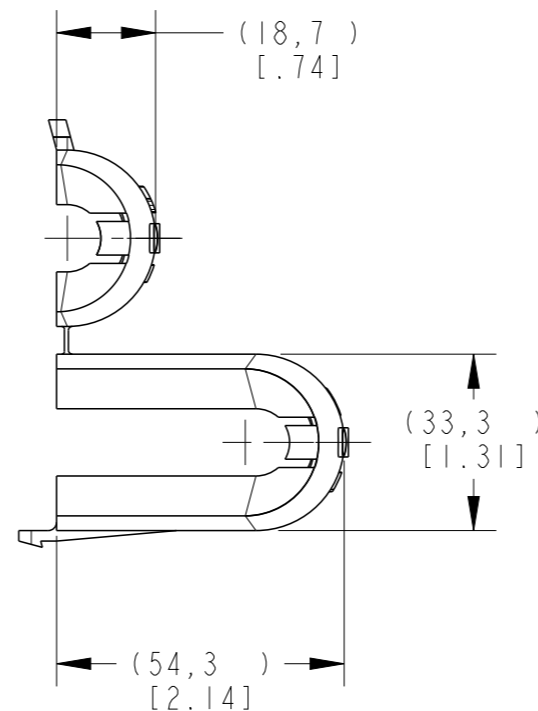
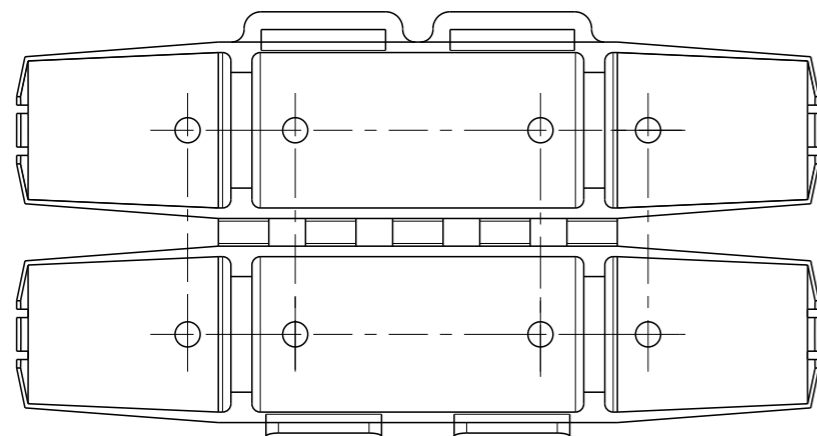
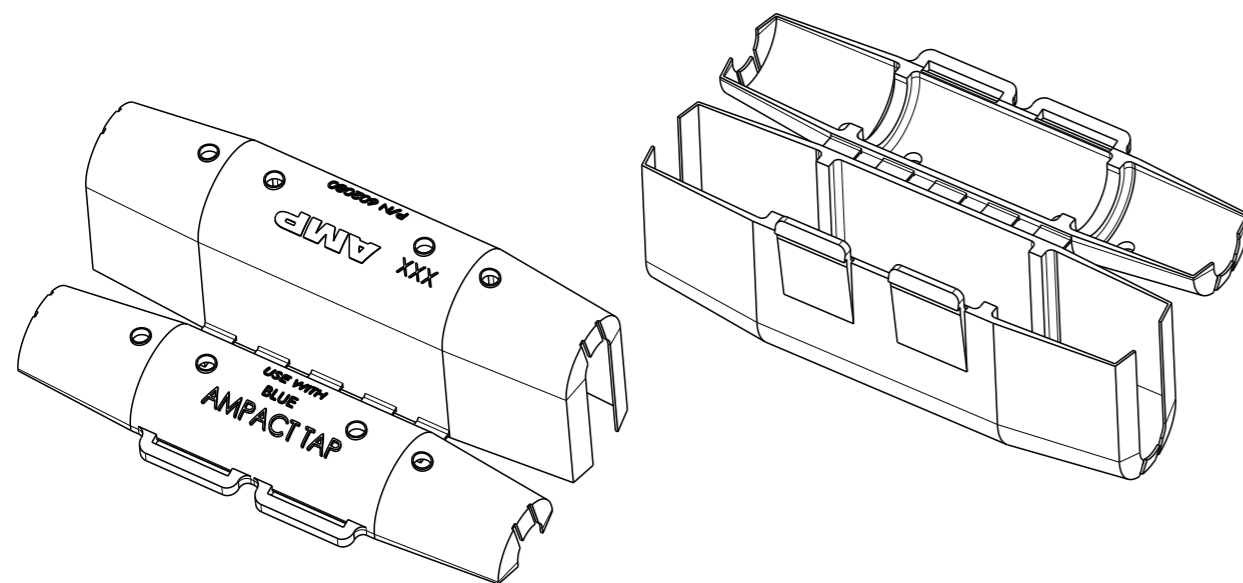


P	LTR	DESCRIPTION	DATE	DWN	APVD
	M	LC20-0126-20 / ECO-20-017243	02DEC2020	RS	BJ



1. FOR USE WITH ALL BLUE CODED TAPS.
2. ALL DIMENSIONS ARE FOR REFERENCE ONLY.



BLACK	602080
COLOR	PART NO.

THIS DRAWING IS A CONTROLLED DOCUMENT.

DIMENSIONS: mm [INCHES]	TOLERANCES UNLESS OTHERWISE SPECIFIED:
	0 PLC ±
	1 PLC ±
	2 PLC ±
	3 PLC ±
	4 PLC ±
	ANGLES ±
MATERIAL LDPE	FINISH -

DWN C. RICHTER	26 JUL 1993
CHK -	-
APVD C. BRESSLER	27 JUL 1993
PRODUCT SPEC	-
APPLICATION SPEC	-
WEIGHT	-
CUSTOMER DRAWING	

		NAME TAP COVER, AMPACT, BLUE-CODED	
		SIZE A3	CAGE CODE 00779
DRAWING NO C-602080		RESTRICTED TO -	
SCALE NTS	SHEET 1	OF 1	REV M