

THIS DRAWING IS UNPUBLISHED.

RELEASED FOR PUBLICATION

,19

© COPYRIGHT 19

BY AMP INCORPORATED. ALL RIGHTS RESERVED.

LOC

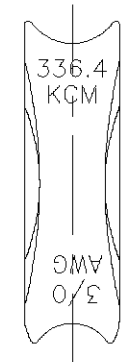
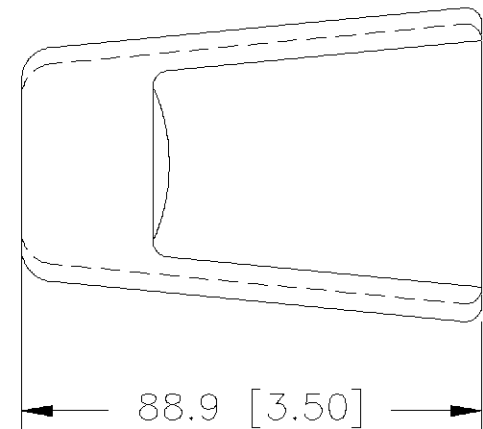
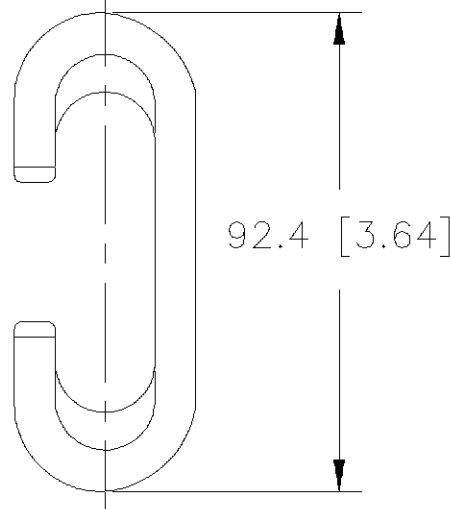
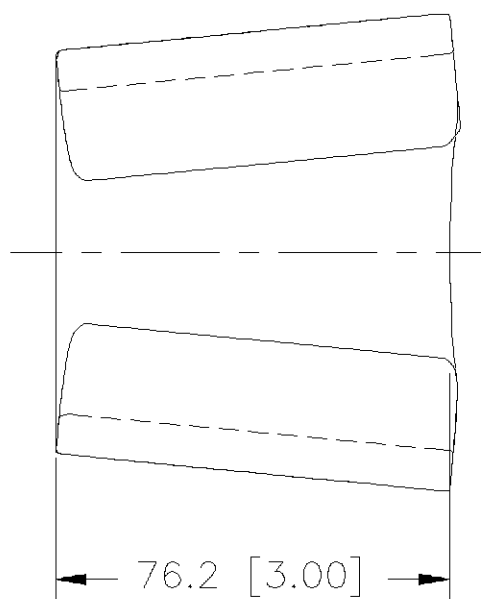
DIST

REVISIONS

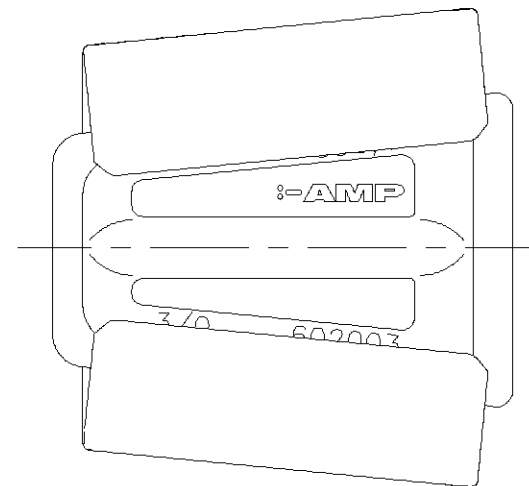
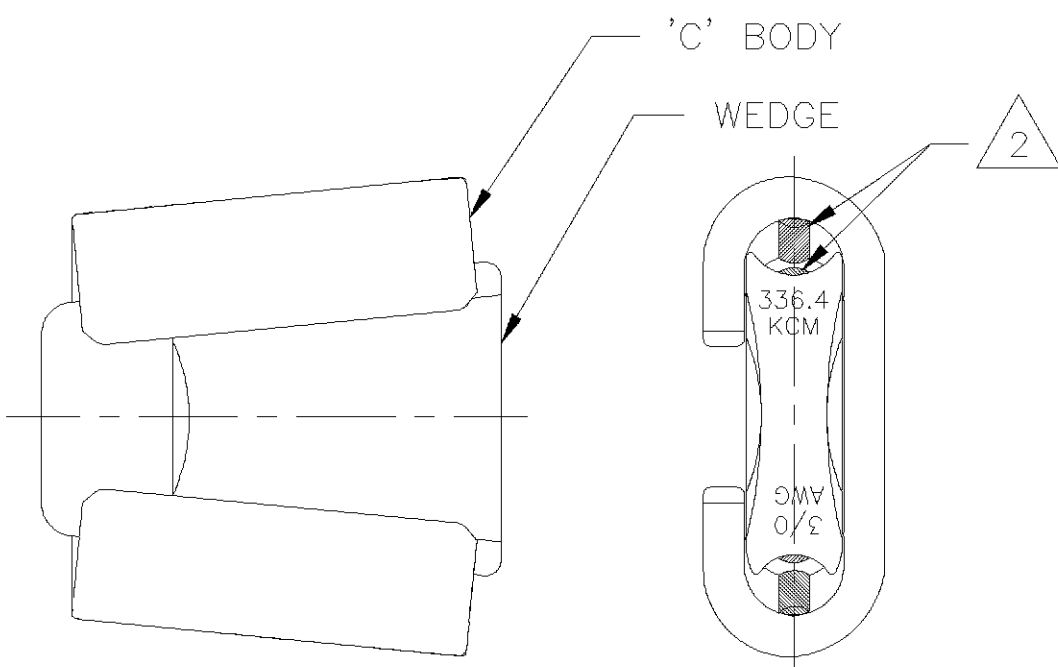
BG

1

| P | LTR | DESCRIPTION                      | DATE    | DWN | APVD |
|---|-----|----------------------------------|---------|-----|------|
| 0 |     | INITIAL RELEASE PER LC00-0124-97 | 11DEC97 | MC  | PC   |



1. DIMENSIONS ARE FOR REFERENCE ONLY.
2. INHIBITOR IS APPLIED AT FACTORY TO GROOVES OF 'C' BODY AND WEDGE.
3. WIRE SIZES ARE MARKED ON WEDGE.
4. APPEARANCE OF WEDGE MAY VARY AS SHOWN.
5. USE YELLOW CARTRIDGE PART #69338-4.



ALTERNATE WEDGE

|              |                 |          |
|--------------|-----------------|----------|
| ALUM. ALLOY  | ALUM. ALLOY     | 602003   |
| WEDGE QTY: 1 | 'C' BODY QTY: 1 | PART NO. |

|  |   |   |  |
|--|---|---|--|
| <small>THIS DRAWING IS A CONTROLLED DOCUMENT FOR AMP INCORPORATED. IT IS SUBJECT TO CHANGE AND THE CONTROLLING ENGINEERING ORGANIZATION SHOULD BE CONTACTED FOR THE LATEST REVISION.</small> |   | DRAWN BY: M. CHOW 11DEC97<br>CHECKED BY: H. HENRY 17DEC97<br>APPROVED BY: P. CHAN 17DEC97<br>PRODUCT SPEC<br>APPLICATION SPEC<br>WEIGHT<br>CUSTOMER DRAWING | <b>AMP</b><br>AMP of Canada Ltd<br>Markham, Ontario<br>NAME<br>CONNECTOR, 336.4-3/0<br>YELLOW CODED, AMPACT<br>SIZE: A3<br>CAGE CODE: 00779<br>DRAWING NO: 602003<br>RESTRICTED TO: -<br>SCALE: NTS<br>SHEET: 1 OF 1<br>REV: 0 |
| DIMENSIONS:<br>mm [INCHES]   | TOLERANCES UNLESS OTHERWISE SPECIFIED:<br>0 PLC ±-<br>1 PLC ±-<br>2 PLC ±-<br>3 PLC ±-<br>4 PLC ±-<br>ANGLES ±-<br>FINISH - | MATERIAL:<br>SEE TABLE  |  |