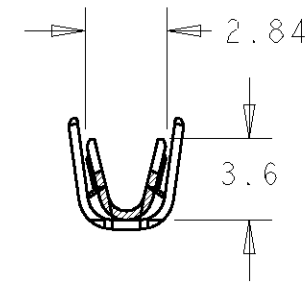
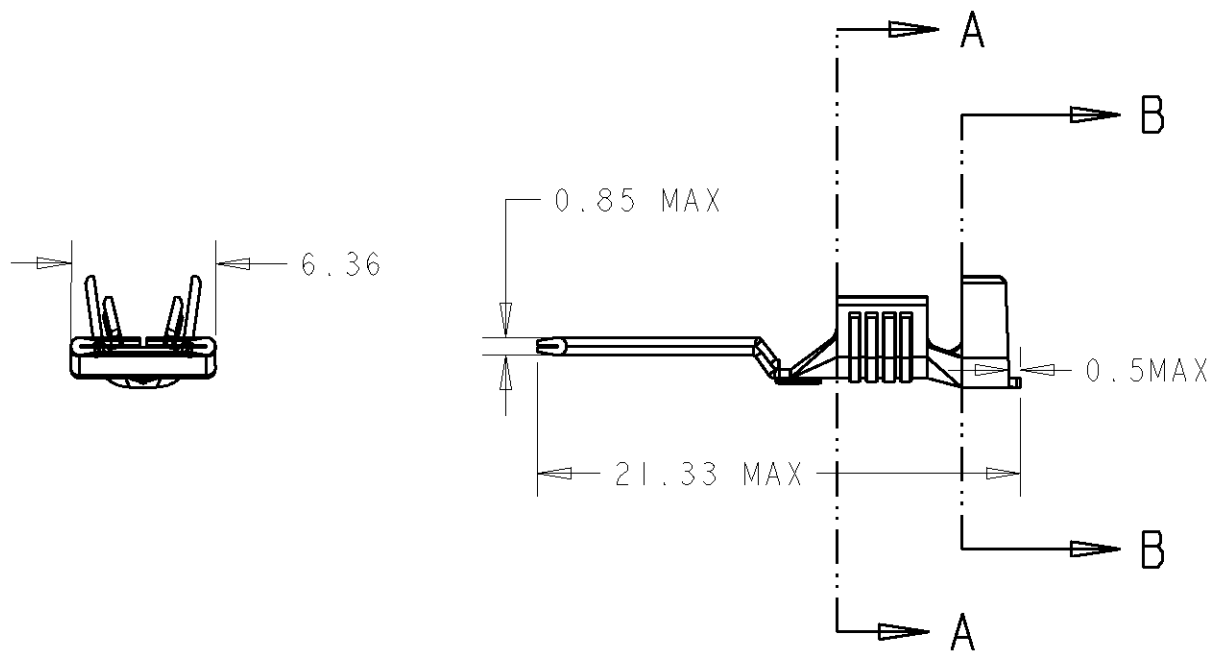
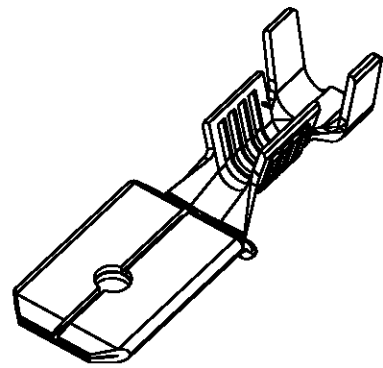
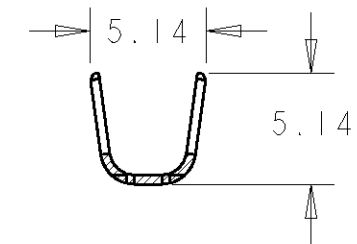


THIS DRAWING IS UNPUBLISHED. RELEASED FOR PUBLICATION 20
 © COPYRIGHT 20 BY TYCO ELECTRONICS CORPORATION. ALL RIGHTS RESERVED.

LOC	DIST	REVISIONS					
		P	LTR	DESCRIPTION	DATE	DWN	APVD
B	E		A	First Issue	19/09/08	MJG	JA



SECTION A-A



SECTION B-B

0.8 - 2.0mm	18 - 14	TIN	BRASS	60006-2
0.8 - 2.0mm	18 - 14	PLAIN	BRASS	60006-1
METRIC WIRE SIZE	AWG WIRE SIZE	FINISH	MATERIAL	PART NO

THIS DRAWING IS A CONTROLLED DOCUMENT FOR TYCO ELECTRONICS CORPORATION IT IS SUBJECT TO CHANGE AND THE CONTROLLING ENGINEERING ORGANIZATION SHOULD BE CONTACTED FOR THE LATEST REVISION.

DIMENSIONS: mm 	TOLERANCES UNLESS OTHERWISE SPECIFIED: 0 PLC ±0.5 1 PLC ±0.5 2 PLC ±0.5 3 PLC ±0.5 4 PLC ±0.5 ANGLES ± FINISH -	DWN M.GREENER 19SEP2008	Tyco Electronics UK Ltd. Bideford, North Devon, EX39 4HE
		CHK J.AMBROSE 19SEP2008 APVD J.AMBROSE 19SEP2008 PRODUCT SPEC - APPLICATION SPEC - WEIGHT -	
MATERIAL SEE TABLE		SIZE A3 CAGE CODE 00779 DRAWING NO C-60006	RESTRICTED TO
CUSTOMER DRAWING		SCALE 3:1	SHEET 1 OF 1 REV A