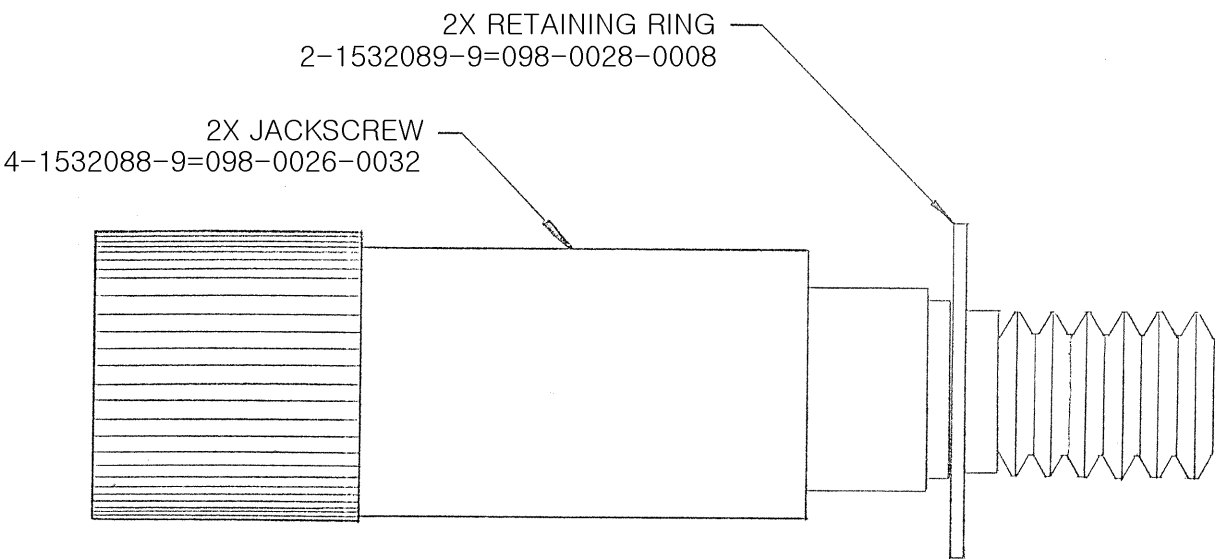



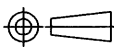
THIS DRAWING IS UNPUBLISHED. RELEASED FOR PUBLICATION
 © COPYRIGHT - By - ALL RIGHTS RESERVED.

LOC		DIST		REVISIONS			
P	LTR	DESCRIPTION		DATE	DWN	APVD	
	A	DRAWING RELEASE		07DEC2011	CEP	CEP	



NOTES:

- PARTS TO BE PACKAGED LOOSE AND NOT ASSEMBLED.

THIS DRAWING IS A CONTROLLED DOCUMENT.		DWN CRAIG PREVOST 06DEC2011	 TE Connectivity	
DIMENSIONS: INCHES		CHR CRAIG PREVOST 07DEC2011		
		APVD CRAIG PREVOST 07DEC2011	NAME M83513/05-13 HARDWARE KIT (4-40 UNC) JACKSCREW ASSEMBLY, HIGH PROFILE, ALLEN HEAD S96-0002-0090 (TM)	
TOLERANCES UNLESS OTHERWISE SPECIFIED: 0 PLC ± - 1 PLC ± - 2 PLC ± - 3 PLC ± - 4 PLC ± - ANGLES ± -		PRODUCT SPEC -	APPLICATION SPEC -	
MATERIAL -	FINISH -	WEIGHT -	SIZE A3	CAGE CODE 98278
CUSTOMER DRAWING			DRAWING NO C- 6-1532137-1	RESTRICTED TO -
			SCALE N/A	SHEET 1 OF 1
			REV A	