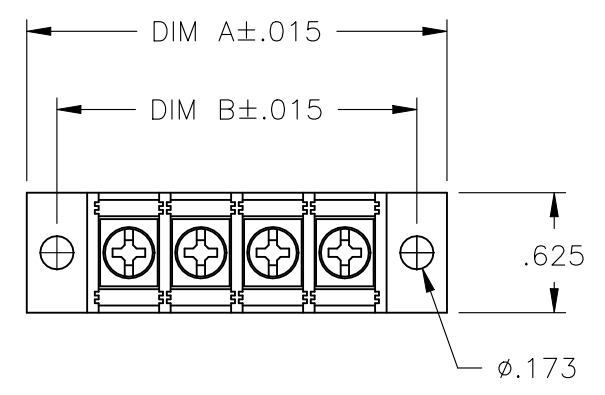
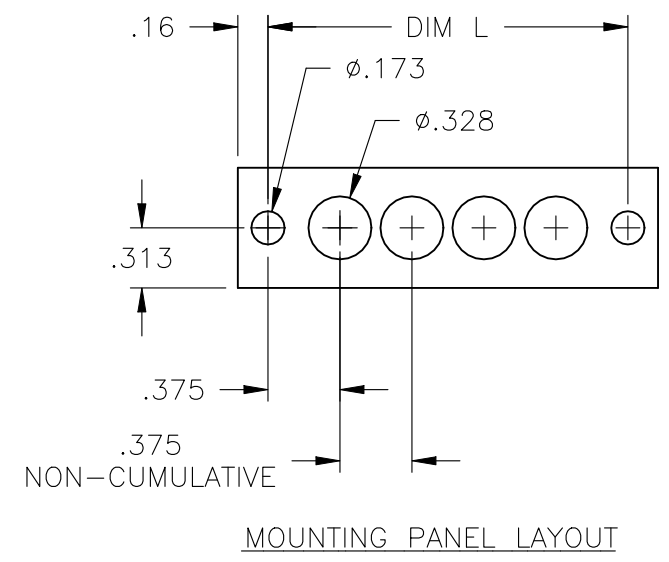
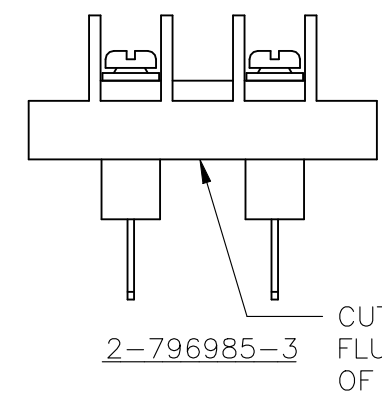
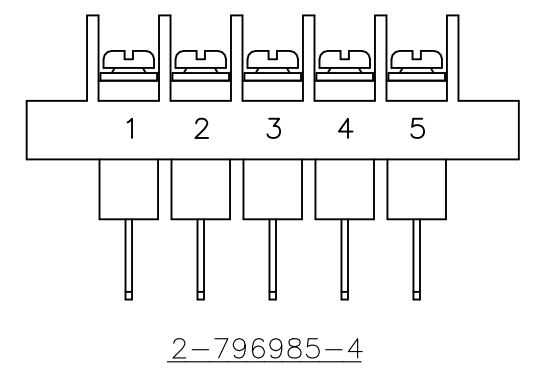
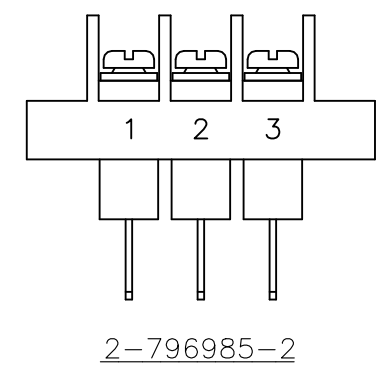
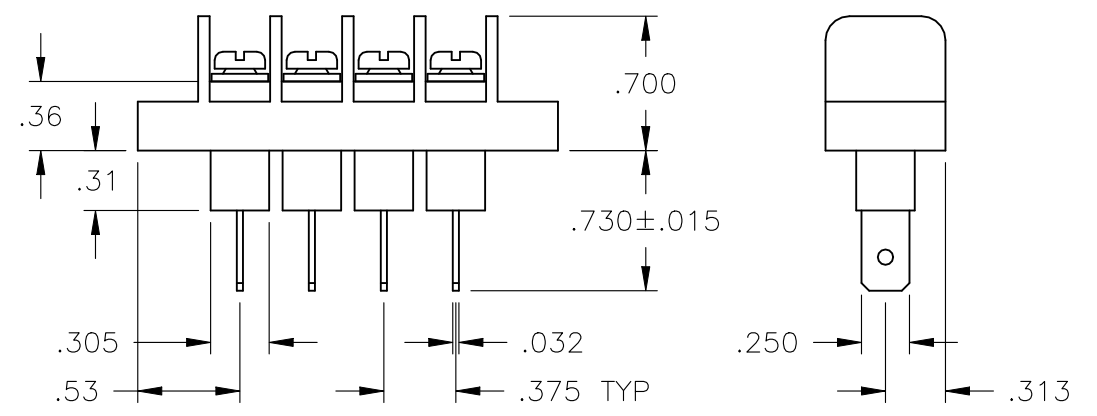


| REVISIONS | | | | | |
|-----------|-----|----------------------------|---------|-----|------|
| P | LTR | DESCRIPTION | DATE | DWN | APVD |
| | B7 | LOWER OPERATING TEMP ADDED | 23JUL21 | GMN | PS |



PHYSICAL PROPERTIES:
 HOUSING: THERMOPLASTIC, UL94V-0, BLACK.
 TERMINALS: MATERIAL: COPPER ALLOY, PLATING SEE TABLE.
 SCREWS: #6-32 STEEL, ZINC PLATING W/ CLEAR CHROMATE.
 PITCH (TERMINAL SPACING): .375"
 OPERATING TEMP: -40° C to 105° C MAX

ELECTRICAL PROPERTIES:
 RATED CURRENT: 20A
 OPERATING VOLTAGE: 300V
 WIRE RANGE: 12-22 AWG



| | | | | | |
|--|--|------------------------|--|--|--|
| THIS DRAWING IS A CONTROLLED DOCUMENT. | | DWN S SCHLEGEL 5/27/03 | TE Connectivity Ltd. | | |
| DIMENSIONS: INCHES | | CHK S YODER 5/27/03 | | | |
| TOLERANCES UNLESS OTHERWISE SPECIFIED: | | APVD S YODER 5/27/03 | JC6-Q308-XX ASSEMBLY | | |
| 0 PLC ± - 1 PLC ± - 2 PLC ± .02 3 PLC ± .010 4 PLC ± - ANGLES ± - | | PRODUCT SPEC - | SIZE CAGE CODE DRAWING NO RESTRICTED TO | | |
| MATERIAL - | | APPLICATION SPEC - | A3 00779 C-6-1437665-2 | | |
| FINISH - | | WEIGHT - | CUSTOMER DRAWING SCALE NTS SHEET 1 OF 3 REV B7 | | |

REVISIONS

| P | LTR | DESCRIPTION | DATE | DWN | APVD |
|---|-----|-------------|------|-----|------|
| | - | SEE SHEET 1 | - | - | - |

- 1 PRELIMINARY
- 2 MATTE TIN PLATE .0002 - .0006 MIN OVER .00005 MIN NICKEL.
- 3 OBSOLETE PARTS: OBSOLETE CIS STREAMLINING PER D.RENAUD/D.SINISI
- 4 INSULATION RESISTANCE >2000M Ω (500V DC)

| PLATING | DIM. B | DIM. A | NO. OF POS. | CATALOG NUMBER | PART NO. | | |
|---|-----------------------|---------------|-------------|----------------|-----------------|-----------------------|-----------------------|
| BRIGHT TIN PL | 9.000 | 9.314 | 23 | JC6-Q308-23 | 2-1546700-2 | | |
| BRIGHT TIN PL | 8.625 | 8.939 | 22 | JC6-Q308-22 | 2-1546700-1 | | |
| BRIGHT TIN PL | 8.250 | 8.564 | 21 | JC6-Q308-21 | 2-1546700-0 | | |
| BRIGHT TIN PL | 7.875 | 8.189 | 20 | JC6-Q308-20 | 1-1546700-9 | | |
| BRIGHT TIN PL | 7.500 | 7.814 | 19 | JC6-Q308-19 | 1-1546700-8 | | |
| BRIGHT TIN PL | 7.125 | 7.439 | 18 | JC6-Q308-18 | 1-1546700-7 | | |
| BRIGHT TIN PL | 6.750 | 7.064 | 17 | JC6-Q308-17 | 1-1546700-6 | | |
| BRIGHT TIN PL | 6.375 | 6.689 | 16 | JC6-Q308-16 | 1-1546700-5 | | |
| BRIGHT TIN PL | 6.000 | 6.314 | 15 | JC6-Q308-15 | 1-1546700-4 | | |
| BRIGHT TIN PL | 5.625 | 5.939 | 14 | JC6-Q308-14 | 1-1546700-3 | | |
| BRIGHT TIN PL | 5.250 | 5.564 | 13 | JC6-Q308-13 | 1-1546700-2 | | |
| BRIGHT TIN PL | 4.875 | 5.189 | 12 | JC6-Q308-12 | 796985-9 | | |
| BRIGHT TIN PL | 4.500 | 4.814 | 11 | JC6-Q308-11 | 1-1546700-1 | | |
| BRIGHT TIN PL | 4.125 | 4.439 | 10 | JC6-Q308-10 | 796985-6 | | |
| BRIGHT TIN PL | 3.750 | 4.064 | 9 | JC6-Q308-09 | 1-1546700-0 | | |
| BRIGHT TIN PL | 3.375 | 3.689 | 8 | JC6-Q308-08 | 6-1437665-9 | | |
| BRIGHT TIN PL | 3.000 | 3.314 | 7 | JC6-Q308-07 | 6-1437665-8 | | |
| BRIGHT TIN PL | 2.625 | 2.939 | 6 | JC6-Q308-06 | 6-1437665-7 | | |
| ³ OBSOLETE SEE FIGURE (PAGE 1) | BRIGHT TIN PL | 2.250 | 2.564 | 5 | JC6-Q308-05-175 | 2-796985-4 | |
| | BRIGHT TIN PL | 2.250 | 2.564 | 5 | JC6-Q308-05 | 6-1437665-6 | |
| | ² | 1.875 | 2.189 | 4 | JC6-Q308-04 | 6-1546700-5 | |
| | BRIGHT TIN PL | 1.875 | 2.189 | 4 | JC6-Q308-04 | 6-1437665-5 | |
| SEE FIGURE (PAGE 1) | BRIGHT TIN PL | 1.500 | 1.814 | 3 | JC6-Q308-03-174 | 2-796985-3 | |
| SEE FIGURE (PAGE 1) | ³ OBSOLETE | BRIGHT TIN PL | 1.500 | 1.814 | 3 | JC6-Q308-03-173 | 2-796985-2 |
| | BRIGHT TIN PL | 1.500 | 1.814 | 3 | JC6-Q308-03 | 6-1437665-4 | |
| | BRIGHT TIN PL | 1.125 | 1.439 | 2 | JC6-Q308-02 | 6-1437665-2 | |

| | | | | | |
|--|--|------------------------|---------------------------------|---------------|---------------|
| THIS DRAWING IS A CONTROLLED DOCUMENT. | | DWN S SCHLEGEL 5/27/03 | STE TE Connectivity Ltd. | | |
| | | CHK S YODER 5/27/03 | | | |
| DIMENSIONS: INCHES | | APVD S YODER 5/27/03 | NAME | | |
| TOLERANCES UNLESS OTHERWISE SPECIFIED: | | PRODUCT SPEC | | | |
| 0 PLC ± - | | APPLICATION SPEC | | | |
| 1 PLC ± - | | SIZE | | CAGE CODE | DRAWING NO |
| 2 PLC ± .02 | | A3 | | 00779 | C-6-1437665-2 |
| 3 PLC ± .010 | | WEIGHT | | RESTRICTED TO | |
| 4 PLC ± - | | - | | - | |
| ANGLES ± - | | CUSTOMER DRAWING | | | |
| MATERIAL | | SCALE | | SHEET | REV |
| - | | NTS | | 2 OF 3 | B7 |

