

SPECIFICATIONS:

CONTACT RATING: SILVER, 3AG
125VAC OR 28VDC (RESISTIVE)

INITIAL CONTACT RESISTANCE:
20 MILLIOHMS MAX.

INSULATION RESISTANCE: 1,000
MEGOHMS, MINIMUM @ 500VDC.

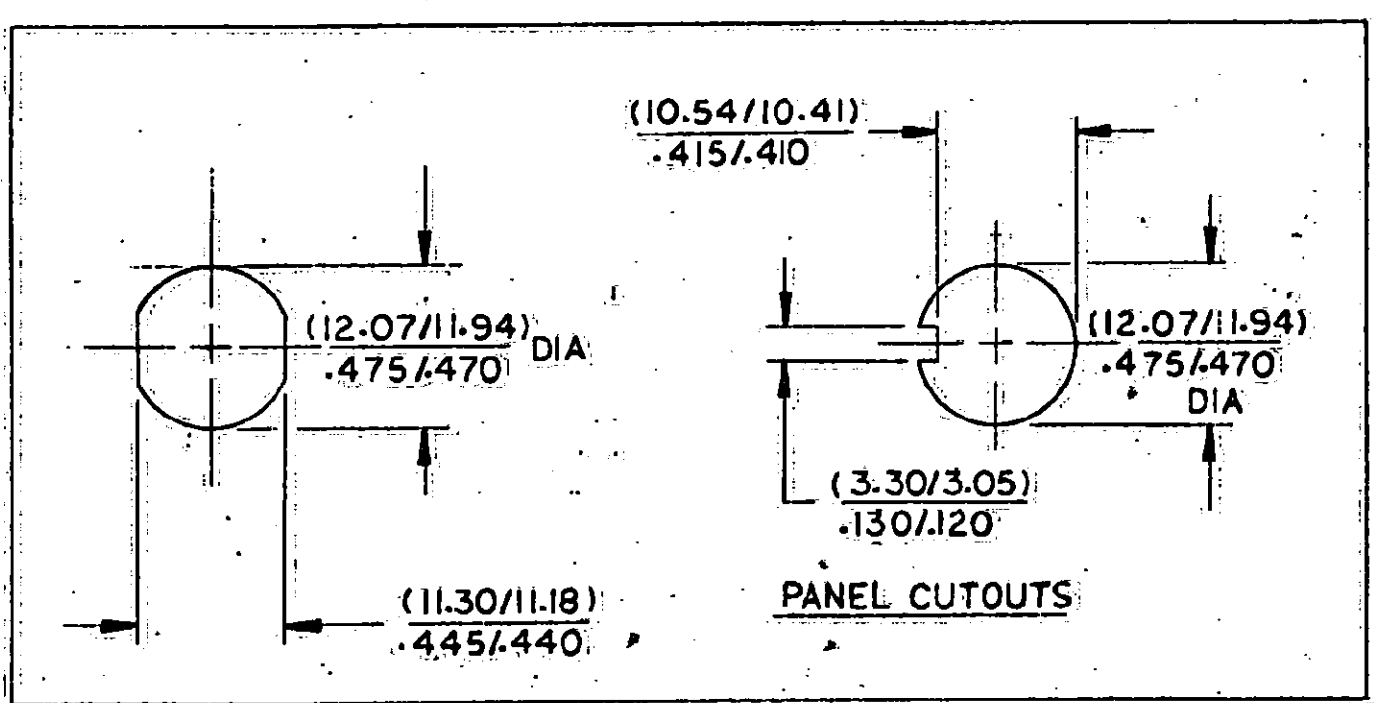
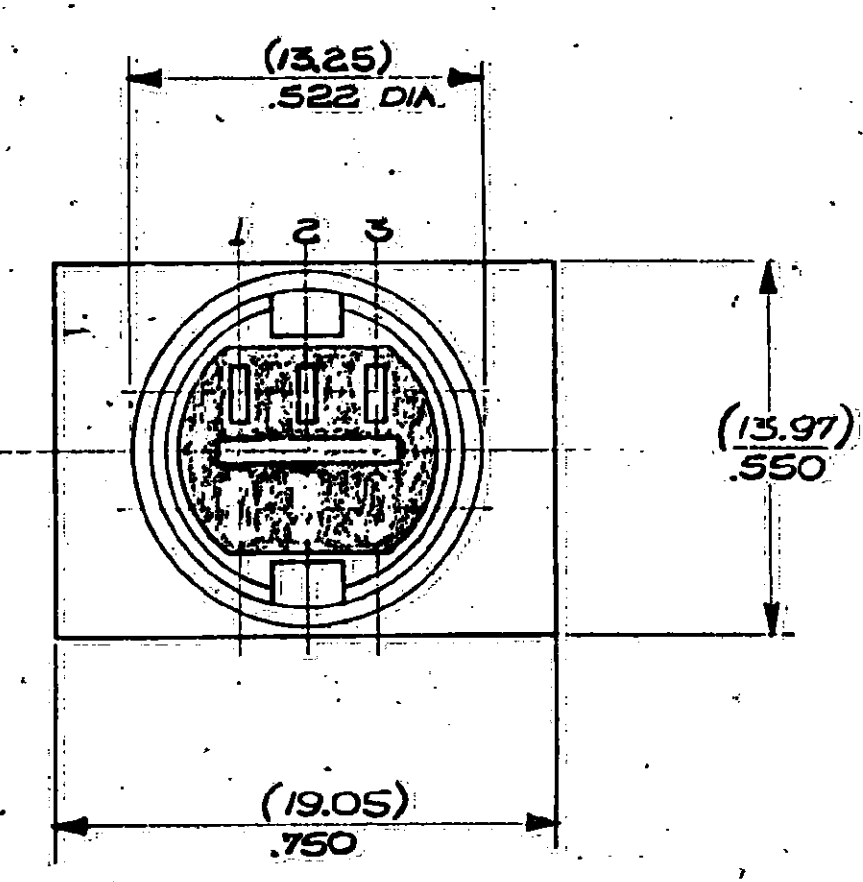
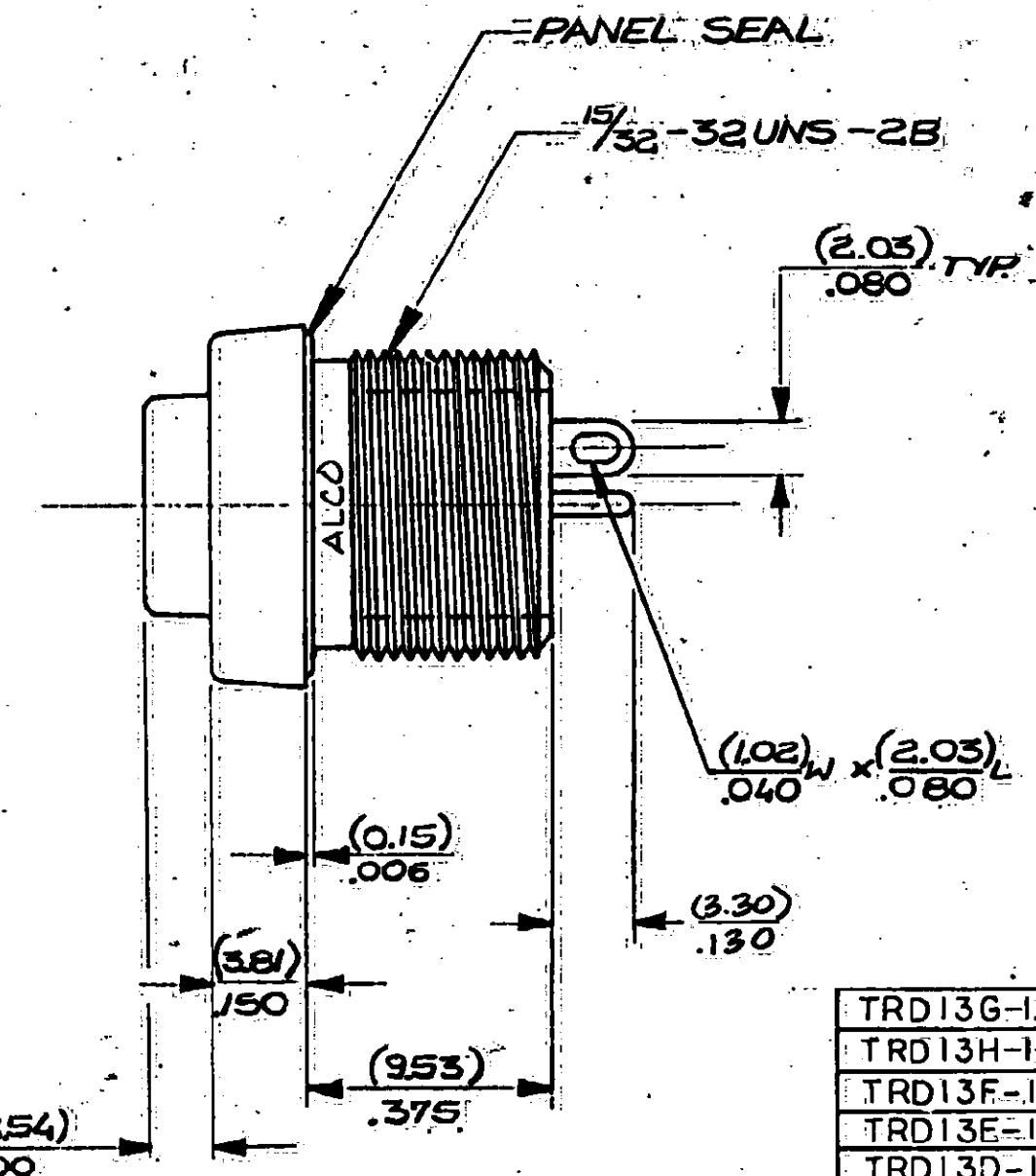
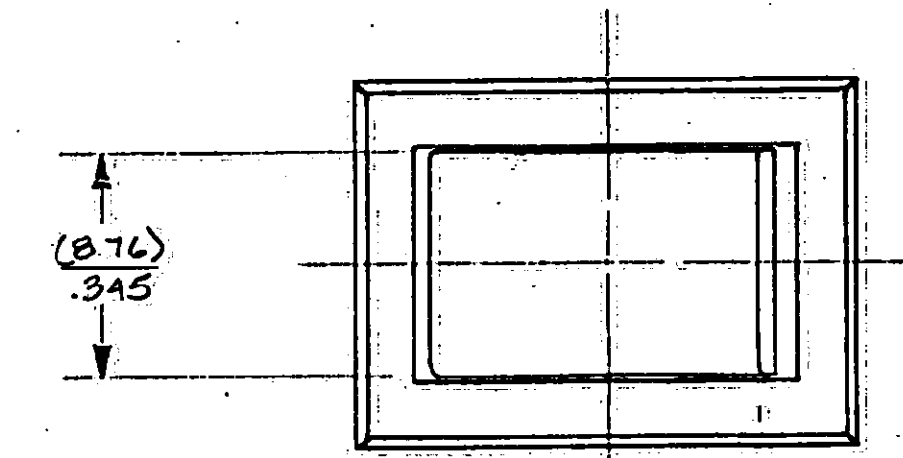
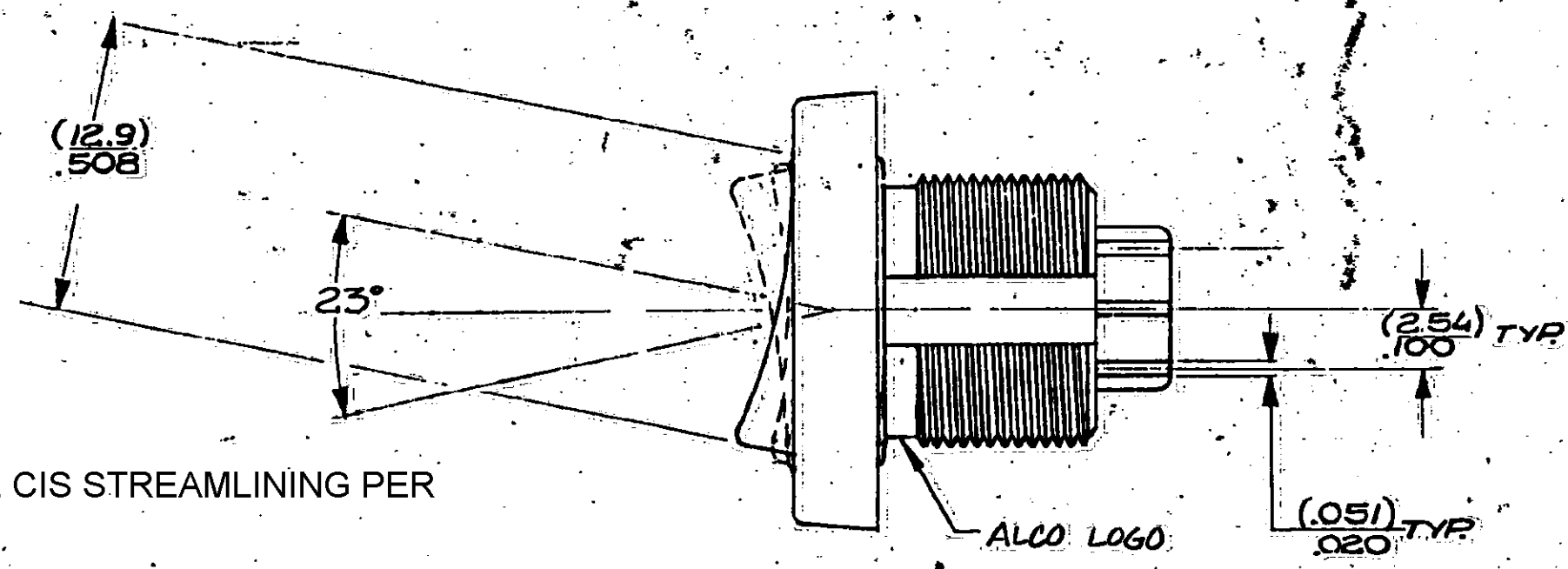
DIELECTRIC STRENGTH: 500
VOLTS RMS AT SEA LEVEL.

MTG HARDWARE: 1 LOCKWASHER
AND 1 HEX NUT.

*ROCKER COLORS

0	BLACK
2	RED
6	BLUE
9	WHITE

- 1 OBSOLETE PARTS: OBSOLETE CIS STREAMLINING PER
D.RENAUD/D.SINISI
9-1437595-6
- 2 SUPERCEDED PARTS
7-1437595-7, 8-1437595-0, 8-1437595-3, 8-1437595-4, 9-1437595-1,
9-1437595-3, 9-1437595-6, 9-1437595-8.



TRD13G-1-*	(2-3)	OFF	(2-1)
TRD13H-1-*	2-3	OFF	(2-1)
TRD13F-1-*	2-3	NONE	(2-1)
TRD13E-1-*	2-3	OFF	2-1
TRD13D-1-*	2-3	NONE	2-1
SWITCH ACTION	ALCO LOGO 1 2 3	ALCO LOGO 1 2 3	ALCO LOGO 1 2 3

() - INDICATES A MOMENTARY CIRCUIT CLOSURE.

TERMINALS CONNECTED WHEN TOGGLE IS IN POSITION SHOWN.

NOTE: TERMINAL DESIGNATION NUMBERS ARE FOR REFERENCE ONLY AND DO NOT APPEAR ON SWITCHES.

(MM) INCH TOL: (.025) .010 ±3° ANGLE

ALCO CONFIDENTIAL

40173

ECO-09-08 FEB 10	026496	ECO-09-08 FEB 10	026496
A1	A	1	1

INSPECT PER ALCO QAS 100

SYMBOL: CRITICAL, MAJOR, MINOR

APPV: P. Ward

DATE: 10/11/03

CHK: S. Barabara

DATE: 10/11/03

ALCO ELECTRONIC PRODUCTS, Inc. North Andover, MA 01848

TITLE: OUTLINE - ROCKER SWITCH, TRD SPDT (TRD 13-1 SERIES)

SCALE: 4:1

SHEET: 1 OF 1

REV: A1

DO NOT SCALE DRAWING