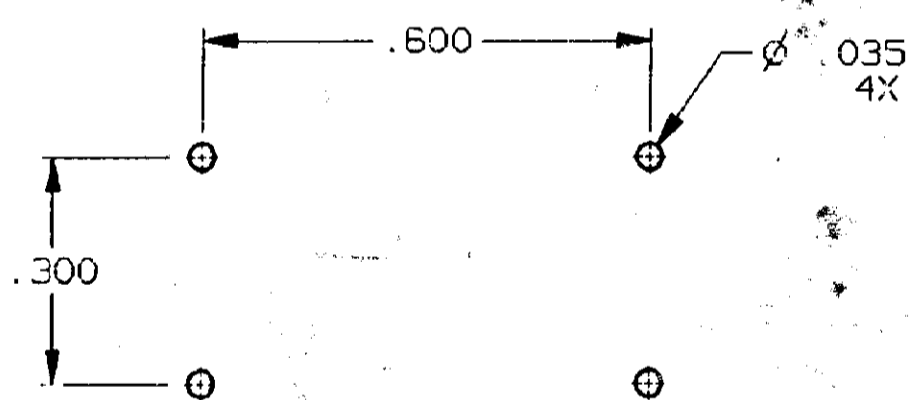
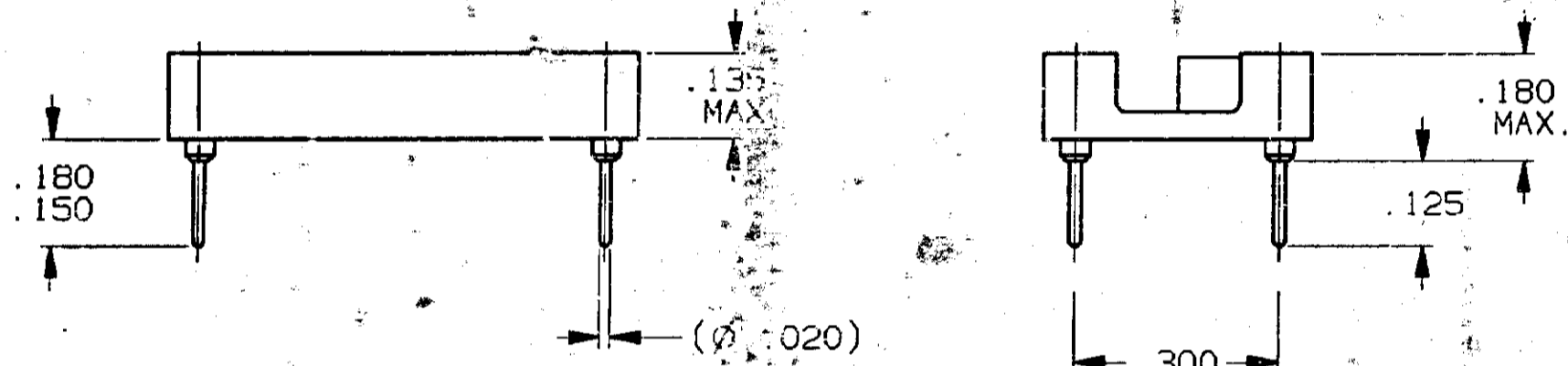
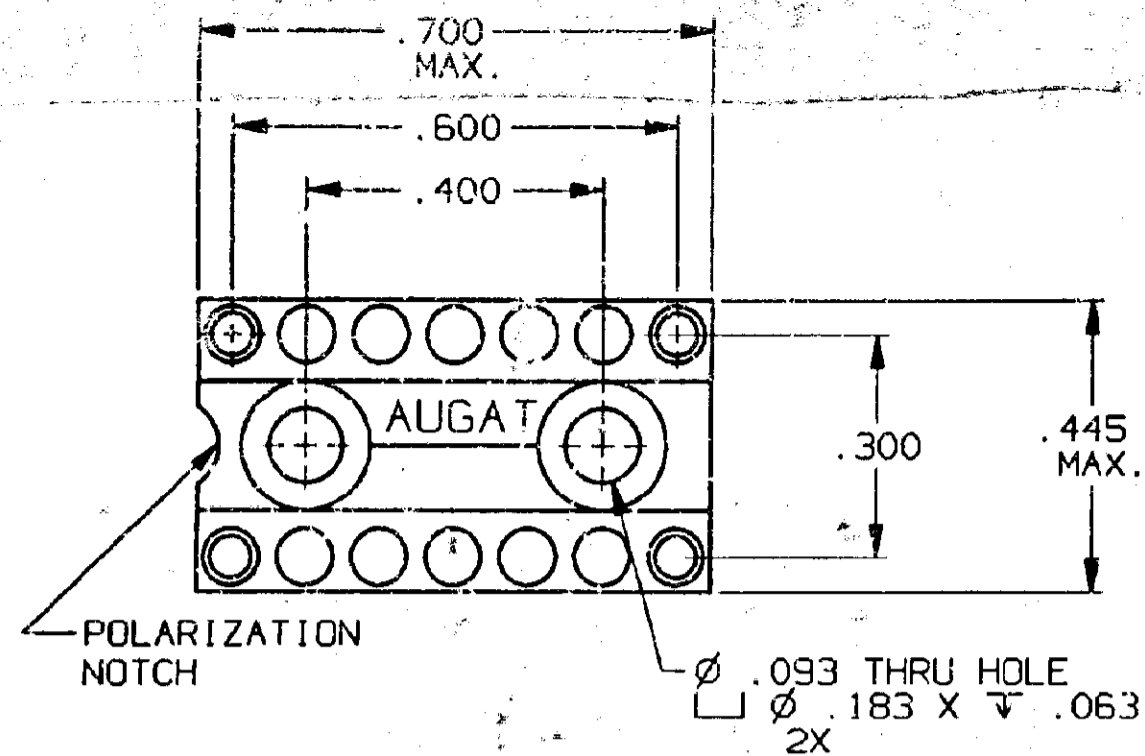


CONVERSION CHART	
INCH	MM
.002	0.05
.010	0.25
.020	0.51
.035	0.89
.063	1.60
.093	2.36
.100	2.54
.125	3.18
.135	3.43
.180	4.57
.180	4.57
.150	3.82
.183	4.65
.300	7.62
.400	10.16
.445	11.30
.600	15.24
.700	17.78



**RECOMMENDED HOLE LAYOUT**  
 TOLERANCE ± .002 UNLESS OTHERWISE NOTED

**SPECIFICATIONS:**

**MATERIALS:**  
 INSULATOR: POLYESTER, UL RATED 94V-0.  
 CONTACT: COPPER ALLOY, GOLD PLATED.  
 SLEEVE: COPPER ALLOY, TIN/LEAD PLATED.

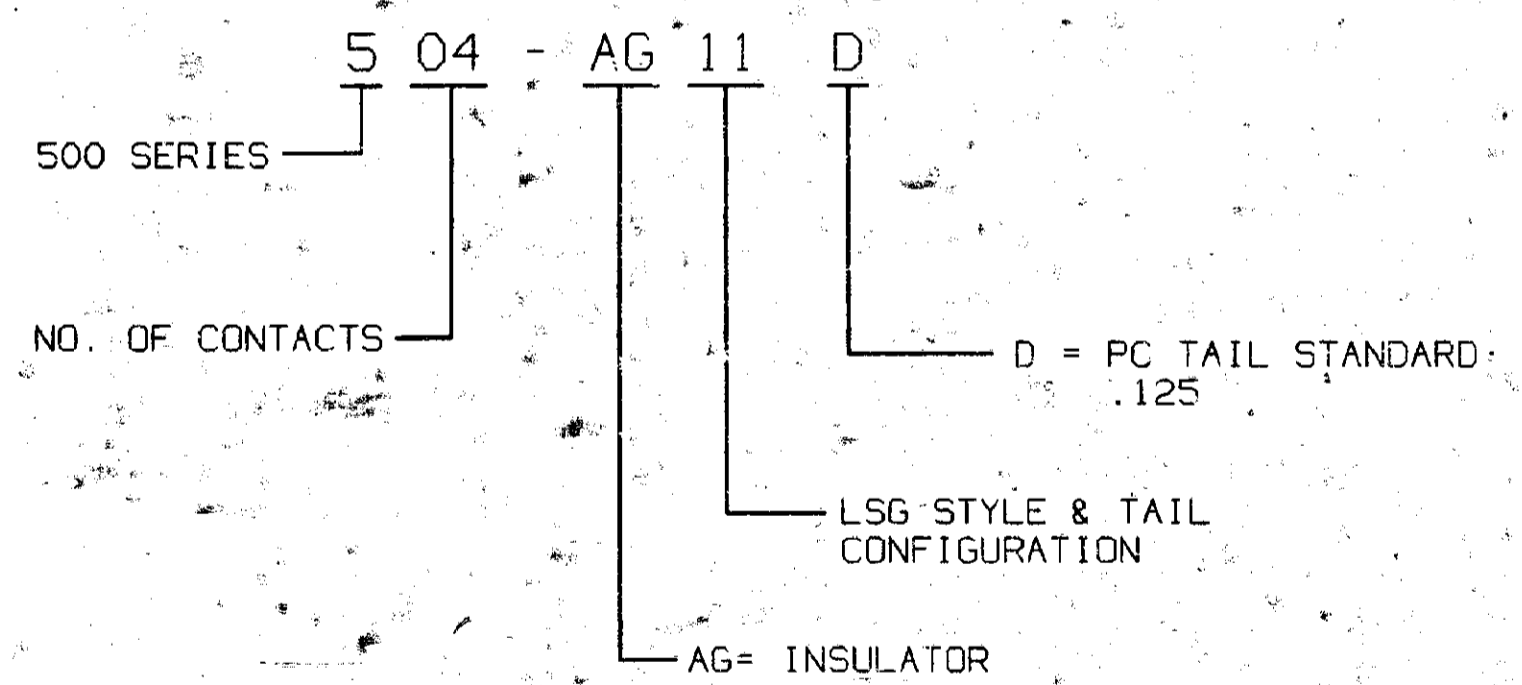
**ELECTRICAL:**  
 CONTACT RESISTANCE: 10 MILLIOHMS MAX.  
 CONTACT RATING: 3 AMPS.  
 CAPACITANCE: 1.0 pF PER MIL-STD-202, METHOD 305.  
 DIELECTRIC WITHSTANDING VOLTAGE: 1000 VOLTS (RMS) PER MIL-STD-1344, METHOD 3001.1.  
 INSULATION RESISTANCE: 500 MΩ MIN. @ 500 VDC PER MIL-STD-1344, METHOD 3003.1.

**MECHANICAL:**  
 INSERTION FORCE: 179 GRAMS AVERAGE WHEN MEASURED WITH Ø .018 POLISHED STEEL PIN.  
 WITHDRAWAL FORCE: 63 GRAMS AVERAGE WHEN MEASURED WITH Ø .018 POLISHED STEEL PIN.

**ENVIRONMENTAL:**  
 OPERATING TEMPERATURE: -67°F TO +221°F (-55°C TO +105°C)

**NOTES:**

1. INTERPRET DRAWING PER ASME Y14.5M-1994.



THIS IS A C.A.D. GENERATED DRAWING. DO NOT MAKE MANUAL REVISIONS TO MASTER.

REV	0
REVISIONS	INITIAL RELEASE
	ESR#A6572
	S. KIRCORIAN 6-6-95
	APP'D: [Signature]

OUTLINE DRAWING			
SPECIFICATIONS ARE SUBJECT TO CHANGES WITHOUT NOTICE			
 THIRD ANGLE PROJECTION	UNLESS OTHERWISE SPECIFIED DIMENSIONS ARE IN INCHES DO NOT SCALE PRINT	ORIGINAL DATE OF DRAWING: 6-6-95	 452 JOHN DIETSCH BLVD. ATTLEBORO FALLS, MASS. 02703 INC.
	TOLERANCES (EXCEPT AS NOTED) ANGULAR = ±1° DECIMAL .XX = ± DECIMAL .XXX = ±.010 DECIMAL .XXXX = ±	FILE NAME: 504AGOUT DIRECTORY: PNCODEAS	
AUGAT CONFIDENTIAL This document contains information which is the exclusive property of Augat Inc. Distribution, reproduction or use by others is not permitted without the expressed written consent of Augat Inc.	MATERIAL: SEE SPECIFICATIONS	CHECKED: [Signature] DATE: 8-21-95	TITLE: <b>OUTLINE DRAWING</b> 500 SERIES CRYSTAL OSCILLATOR SOCKET
	FINISH: SEE SPECIFICATIONS	APPROVED: [Signature] DATE: 8-21-95	DWG. NO.: 504-AG11D
		CODE IDENT. NO.: 91506 C	PRODUCT CODE: 25
		NEXT ASSY:	SCALE: SHEET 1 OF 1