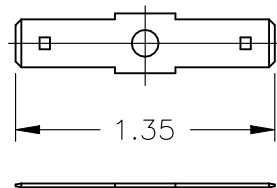


REVISIONS					
P	LTR	DESCRIPTION	DATE	DWN	APVD
	A3	REACTIVATING THE DOUBLE SIDE QC TABS	24AUG2023	SP	PS

NOTES:

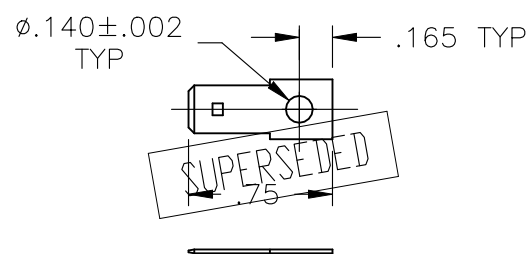
- 1. MATERIAL: TIN PLATED, COPPER ALLOY.
- 2. FOR USE WITH SSB6, SSB7, JC6 & NC6 BARRIER STRIPS.

DOUBLE SIDED

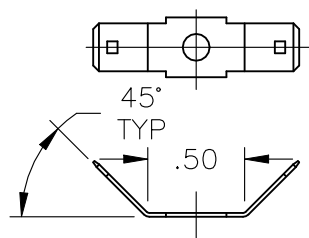


ITEM #1 - CAT NO. QC-20
TOP HARDWARE CODE - 20

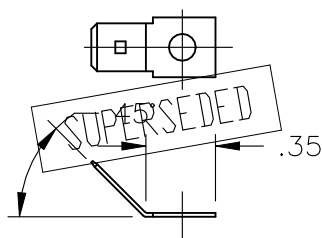
SINGLE SIDED



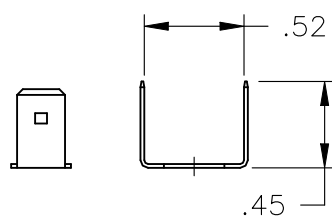
ITEM #4 - CAT NO. QC-23
TOP HARDWARE CODE - 23



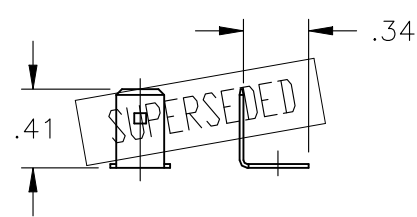
ITEM #2 - CAT NO. QC-21
TOP HARDWARE CODE - 21



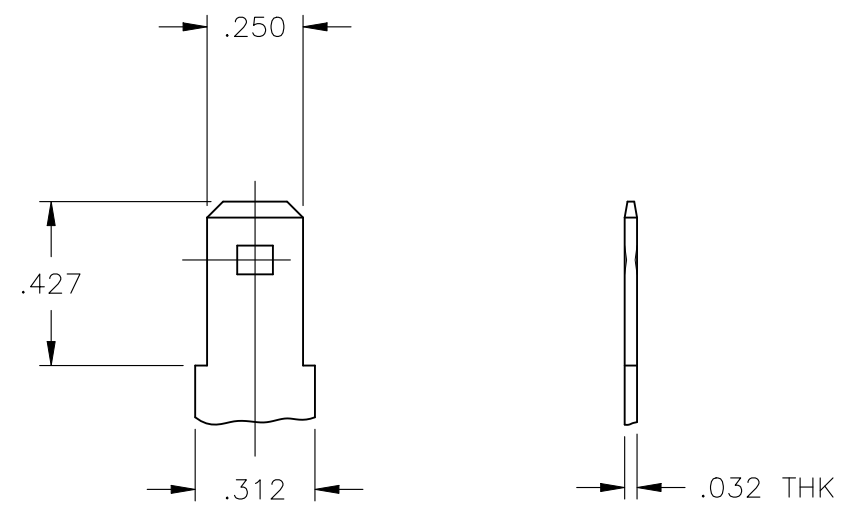
ITEM #5 - CAT NO. QC-24
TOP HARDWARE CODE - 24



ITEM #3 - CAT NO. QC-22
TOP HARDWARE CODE - 22




ITEM #6 - CAT NO. QC-25
TOP HARDWARE CODE - 25



DETAIL OF MALE TAB
SCALE 4:1

SUPERSEDED	S.S. 90°	QC-25	6-1437402-7	6
SUPERSEDED	S.S. 45°	QC-24	6-1437402-6	5
SUPERSEDED	S.S. FLAT	QC-23	6-1437402-5	4
	D.S. 90°	QC-22	6-1437402-4	3
	D.S. 45°	QC-21	6-1437418-6	2
	D.S. FLAT	QC-20	6-1437402-3	1
	DESCRIPTION	CAT NO.	PART NO.	ITEM NO.

THIS DRAWING IS A CONTROLLED DOCUMENT.		DWN S SCHLEGEL 17DEC02	 TE Connectivity			
DIMENSIONS: INCHES		CHK S YODER 12/17/02				
TOLERANCES UNLESS OTHERWISE SPECIFIED:		APVD S YODER 12/17/02	NAME			
0 PLC ± - 1 PLC ± - 2 PLC ± .01 3 PLC ± .005 4 PLC ± - ANGLES ± .5°		PRODUCT SPEC	QUICK CONNECT TABS .250 WIDE X .032 THICK			
MATERIAL		APPLICATION SPEC	SIZE	CAGE CODE	DRAWING NO	RESTRICTED TO
FINISH		WEIGHT	A3	00779	C-6-1437402-3	-
CUSTOMER DRAWING			SCALE	SHEET	REV	
			2:1	1 OF 1	A3	