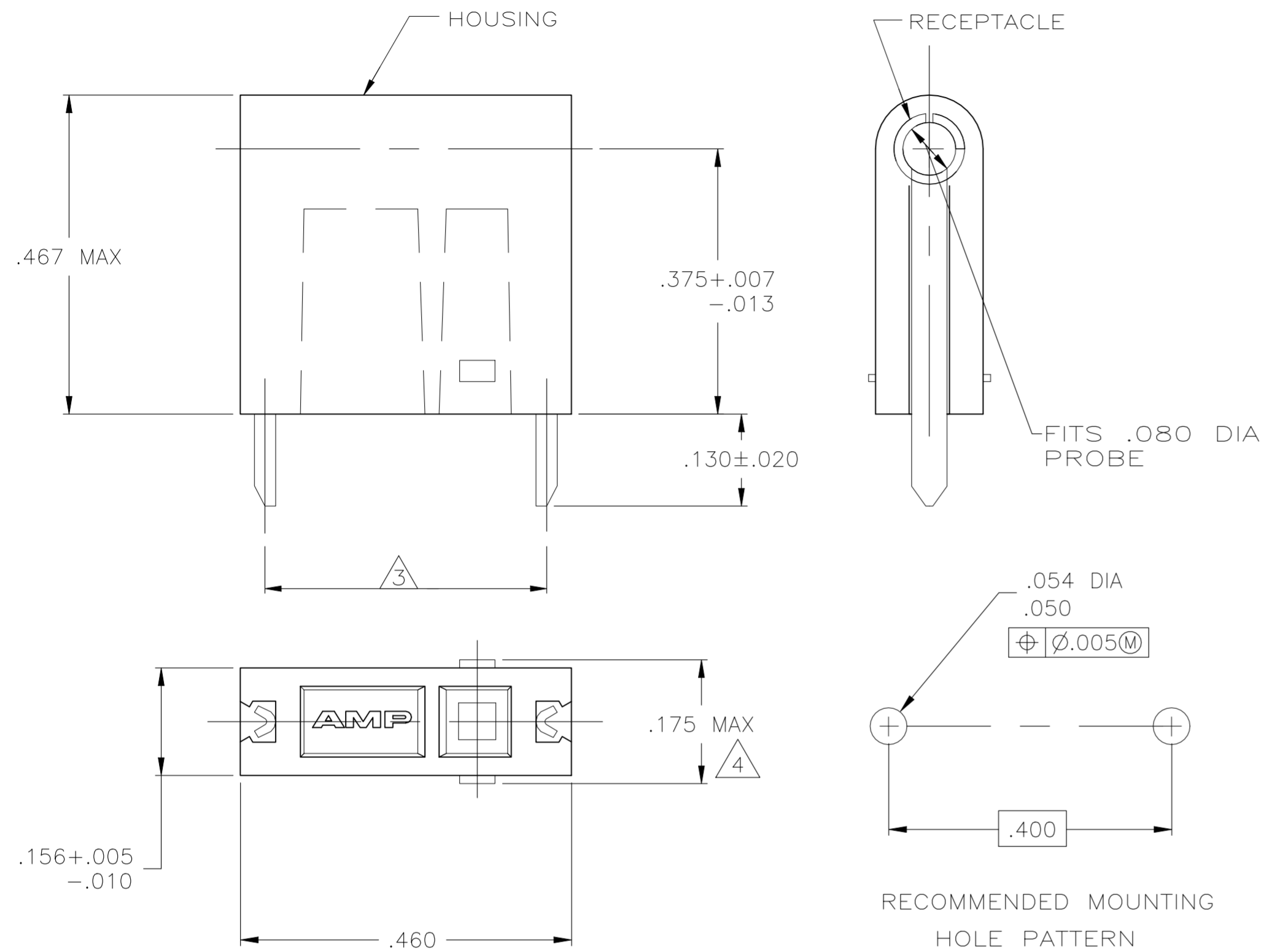


REVISIONS					
P	LTR	DESCRIPTION	DATE	DWN	APVD
	AF2	REVISED PER ECR-23-181906	17OCT2023	SS	RE

- 1 OPERATION TEMPERATURE IS 105° C MAX.
- 2 RETENTION FORCE - 16 OUNCES MIN INITIALLY.  
6 OUNCES MIN AFTER 500 CYCLES.
- 3 REFER TO MOUNTING HOLE PATTERN.
- 4 .175 MAX TO BE MEASURED ACROSS THE CUT-OFF TABS.



OBSOLETE	NYLON 6/6; WHITE	BRASS - GOLD	3-582340-9
OBSOLETE	NYLON 6/6; GRAY	BRASS - GOLD	3-582340-8
OBSOLETE	NYLON 6/6; VIOLET	BRASS - GOLD	3-582340-7
	NYLON 6/6; BLUE	BRASS - GOLD	3-582340-6
	NYLON 6/6; GREEN	BRASS - GOLD	3-582340-5
OBSOLETE	NYLON 6/6; YELLOW	BRASS - GOLD	3-582340-4
OBSOLETE	NYLON 6/6; ORANGE	BRASS - GOLD	3-582340-3
OBSOLETE	NYLON 6/6; RED	BRASS - GOLD	3-582340-2
OBSOLETE	NYLON 6/6; BROWN	BRASS - GOLD	3-582340-1
	NYLON 6/6; BLACK	BRASS - GOLD	3-582340-0
OBSOLETE	NYLON 6/6; WHITE	BRASS - SILVER	2-582340-9
OBSOLETE	NYLON 6/6; GRAY	BRASS - SILVER	2-582340-8
OBSOLETE	NYLON 6/6; VIOLET	BRASS - SILVER	2-582340-7
OBSOLETE	NYLON 6/6; BLUE	BRASS - SILVER	2-582340-6
OBSOLETE	NYLON 6/6; GREEN	BRASS - SILVER	2-582340-5
OBSOLETE	NYLON 6/6; YELLOW	BRASS - SILVER	2-582340-4
OBSOLETE	NYLON 6/6; ORANGE	BRASS - SILVER	2-582340-3
OBSOLETE	NYLON 6/6; RED	BRASS - SILVER	2-582340-2
OBSOLETE	NYLON 6/6; BROWN	BRASS - SILVER	2-582340-1
OBSOLETE	NYLON 6/6; BLACK	BRASS - SILVER	2-582340-0
OBSOLETE	NYLON 6/6; WHITE	BRASS - TIN	1-582340-9
OBSOLETE	NYLON 6/6; GRAY	BRASS - TIN	1-582340-8
	NYLON 6/6; VIOLET	BRASS - TIN	1-582340-7
	NYLON 6/6; BLUE	BRASS - TIN	1-582340-6
OBSOLETE	NYLON 6/6; GREEN	BRASS - TIN	1-582340-5
OBSOLETE	NYLON 6/6; YELLOW	BRASS - TIN	1-582340-4
OBSOLETE	NYLON 6/6; ORANGE	BRASS - TIN	1-582340-3
OBSOLETE	NYLON 6/6; RED	BRASS - TIN	1-582340-2
OBSOLETE	NYLON 6/6; BROWN	BRASS - TIN	1-582340-1
	NYLON 6/6; BLACK	BRASS - TIN	1-582340-0

OBSOLETE	NYLON 6/6; NATURAL	BRASS - GOLD	6-582340-9
OBSOLETE	NYLON 6/6; NATURAL	BRASS - SILVER	5-582340-9
	HOUSING - MATERIAL; COLOR	RECEPTACLE - MATERIAL; FINISH	PART NUMBER

THIS DRAWING IS A CONTROLLED DOCUMENT.		DWN M.S. FEHER 13APR2004	
DIMENSIONS: mm		CHK E. HOWARD 13APR2004	
TOLERANCES UNLESS OTHERWISE SPECIFIED:		APVD E. HOWARD 13APR2004	NAME ASSEMBLY, TEST PROBE
0 PLC ± - 1 PLC ± - 2 PLC ± .015 3 PLC ± - 4 PLC ± - ANGLES ± -		PRODUCT SPEC	SIZE A2
MATERIAL SEE TABLE		FINISH SEE TABLE	CAGE CODE 00779
		WEIGHT 0.000000	DRAWING NO C=582340
		CUSTOMER DRAWING	
		SCALE 6:1	SHEET 1 of 1
		REV AF2	RESTRICTED TO -