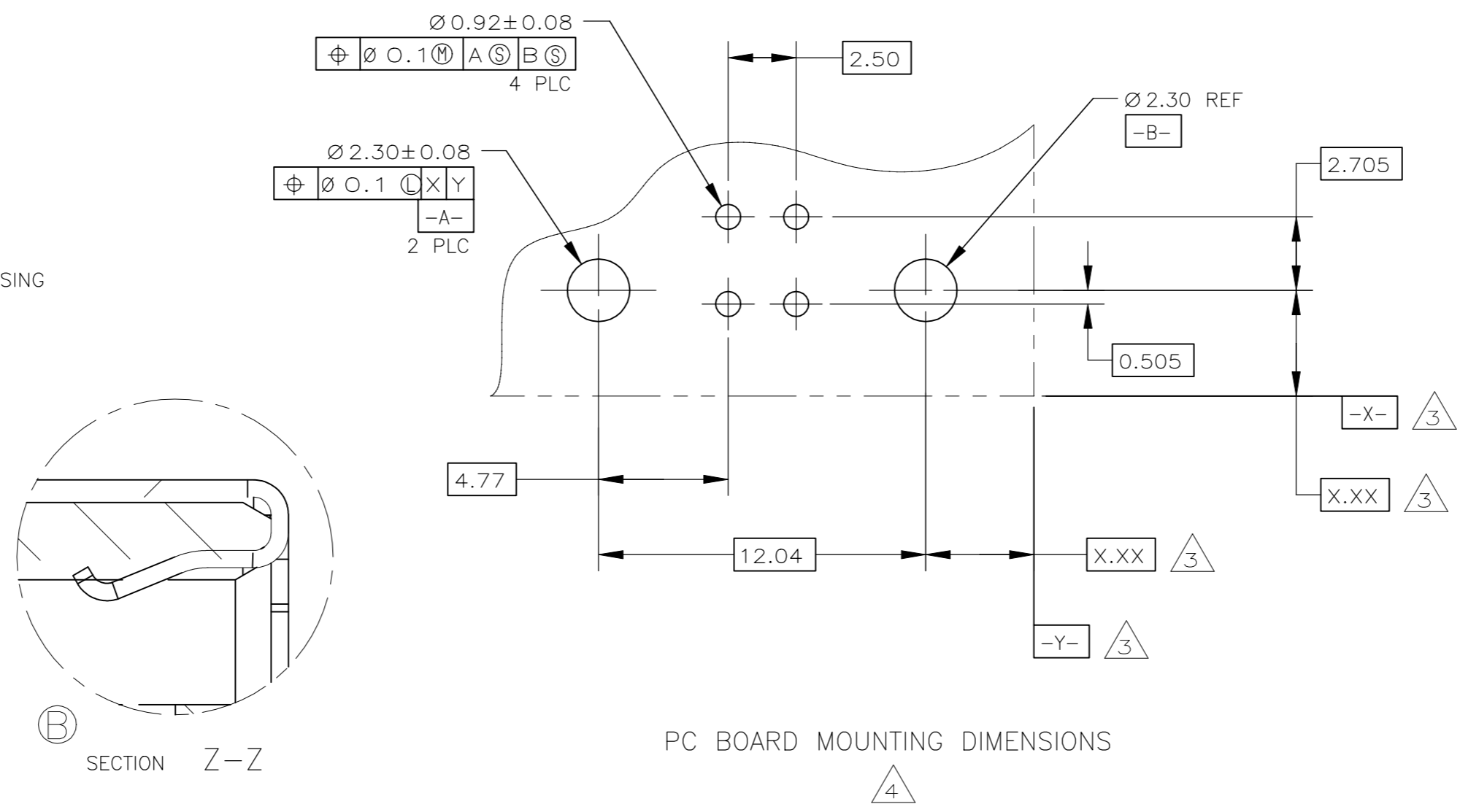
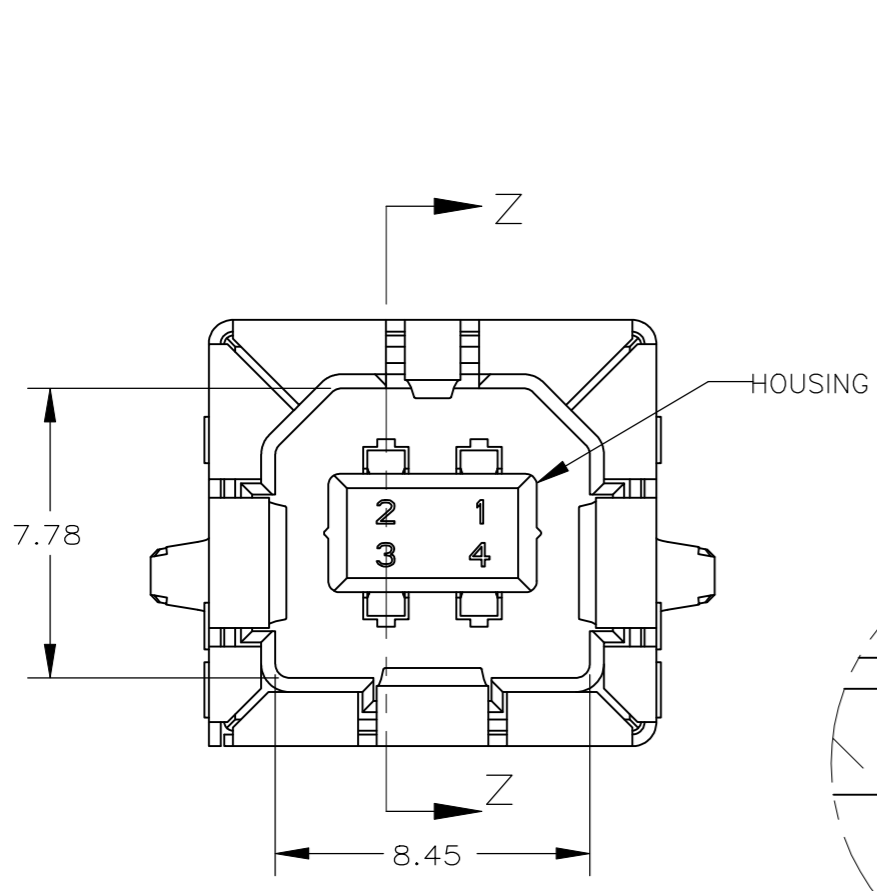
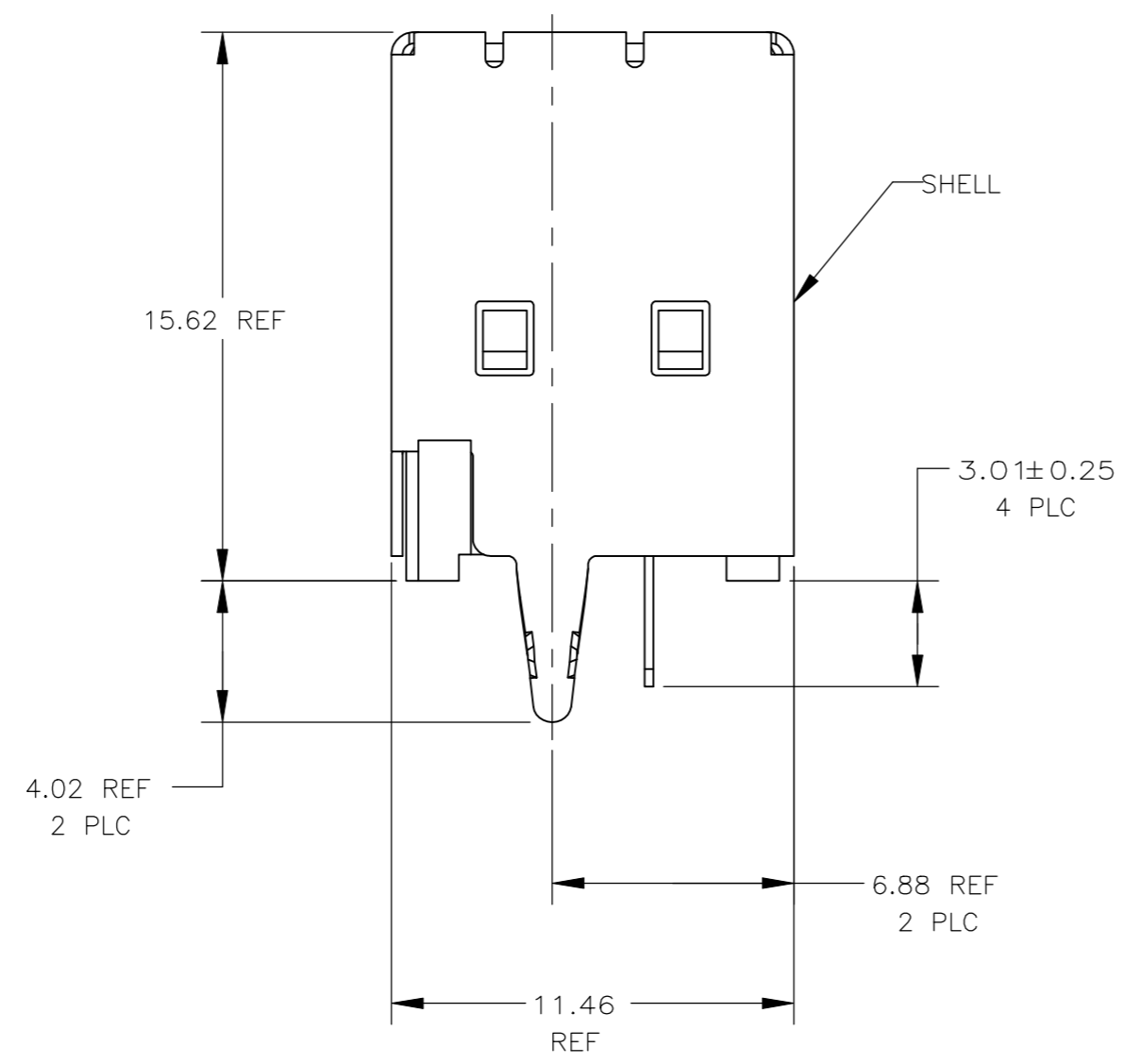
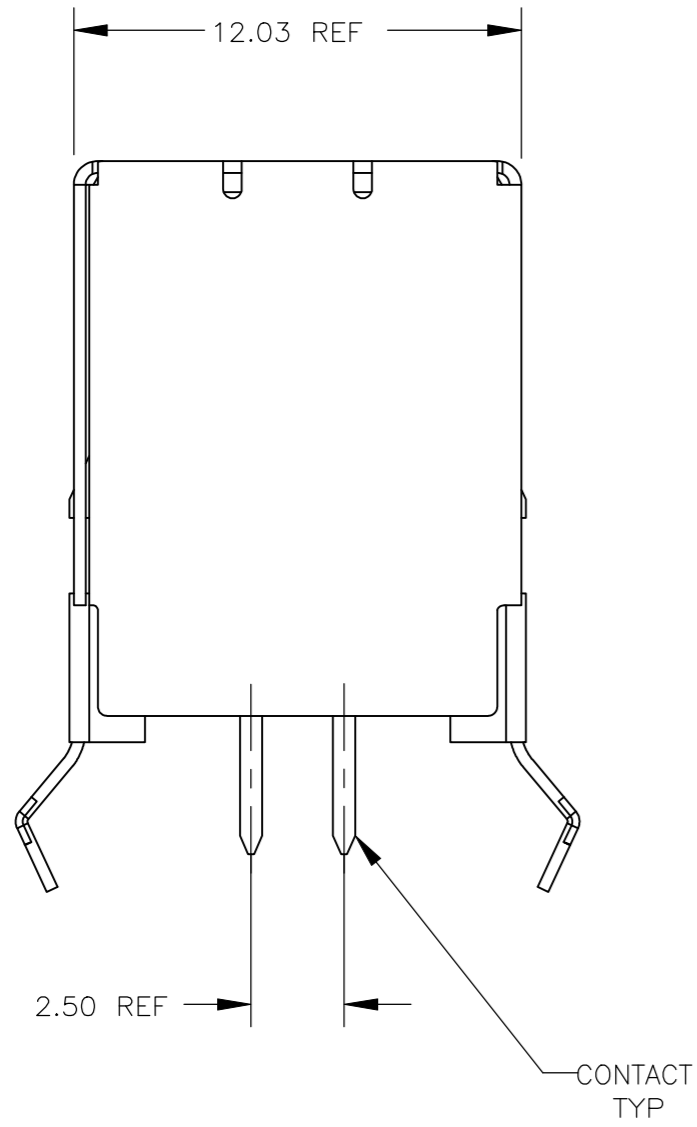


THIS DRAWING IS UNPUBLISHED. RELEASED FOR PUBLICATION
 © COPYRIGHT - By - ALL RIGHTS RESERVED.

LOC		DIST		REVISIONS			
P	LTR	DESCRIPTION	DATE	DWN	APVD		
		C	REVISED PER ECR-19-008004	22MAY2019	T.Z	S.L	



LEAD FREE



- 1 MATERIAL:
 1 SHELL - STAINLESS STEEL.
 CONTACTS - COPPER ALLOY.
 HOUSING - UL 94V-0 RATED, THERMOPLASTIC, FOR COLOR SEE TABLE.
- 2 PLATING:
 CONTACTS - 0.076um MINIMUM GOLD OVER 0.76um MINIMUM PALLADIUM-NICKEL ON MATING AREA, 3.8um MINIMUM MATTE TIN ON SOLDER TAILS, BOTH OVER 1.27um MINIMUM NICKEL.
 CONTACT ALTERNATE PLATING: 0.76um MINIMUM GOLD ON MATING AREA, 3.80um MINIMUM MATTE TIN ON SOLDER TAILS, BOTH OVER 1.27um MINIMUM NICKEL.
 SHELL - 2~5um MINIMUM BRIGHT TIN.
- 3 DATUM AND BASIC DIMENSIONS ESTABLISHED BY CUSTOMER.
- 4 RECOMMENDED PC BOARD THICKNESS OF 1.57mm.

THIS DRAWING IS A CONTROLLED DOCUMENT.		DWN	28MAY2004	Ivanov Wang	
		CHK	28MAY2004	Steven Yao	
		APVD	28MAY2004	Takunori Sasaki	
DIMENSIONS: mm		TOLERANCES UNLESS OTHERWISE SPECIFIED:			
0 PLC		± -			
1 PLC		± 0.1			
2 PLC		± 0.05			
3 PLC		± 0.013			
4 PLC		± -			
ANGLES		± -			
MATERIAL		FINISH			
- 1		- 2			
MATERIAL		WEIGHT		-	
CUSTOMER DRAWING		SCALE		5:1	
SIZE		CAGE CODE		DRAWING NO	
A2		00779		C-5787834	
RESTRICTED TO		SHEET		REV	
-		1 of 1		C	