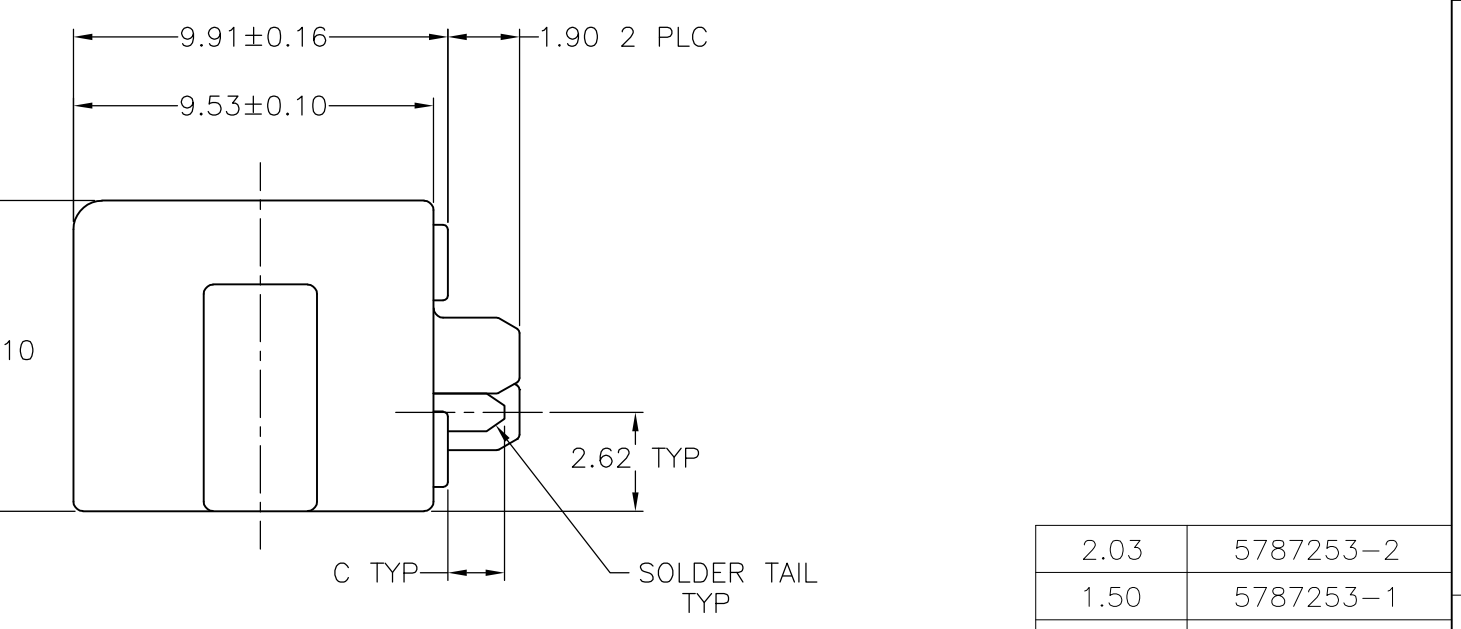
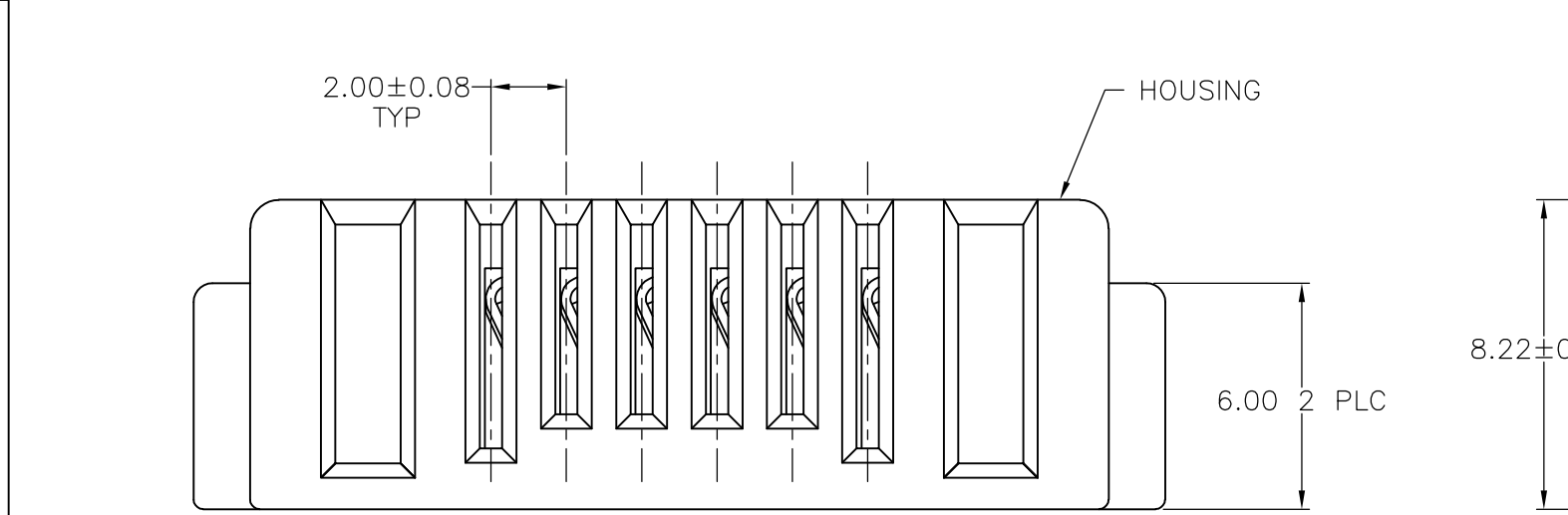
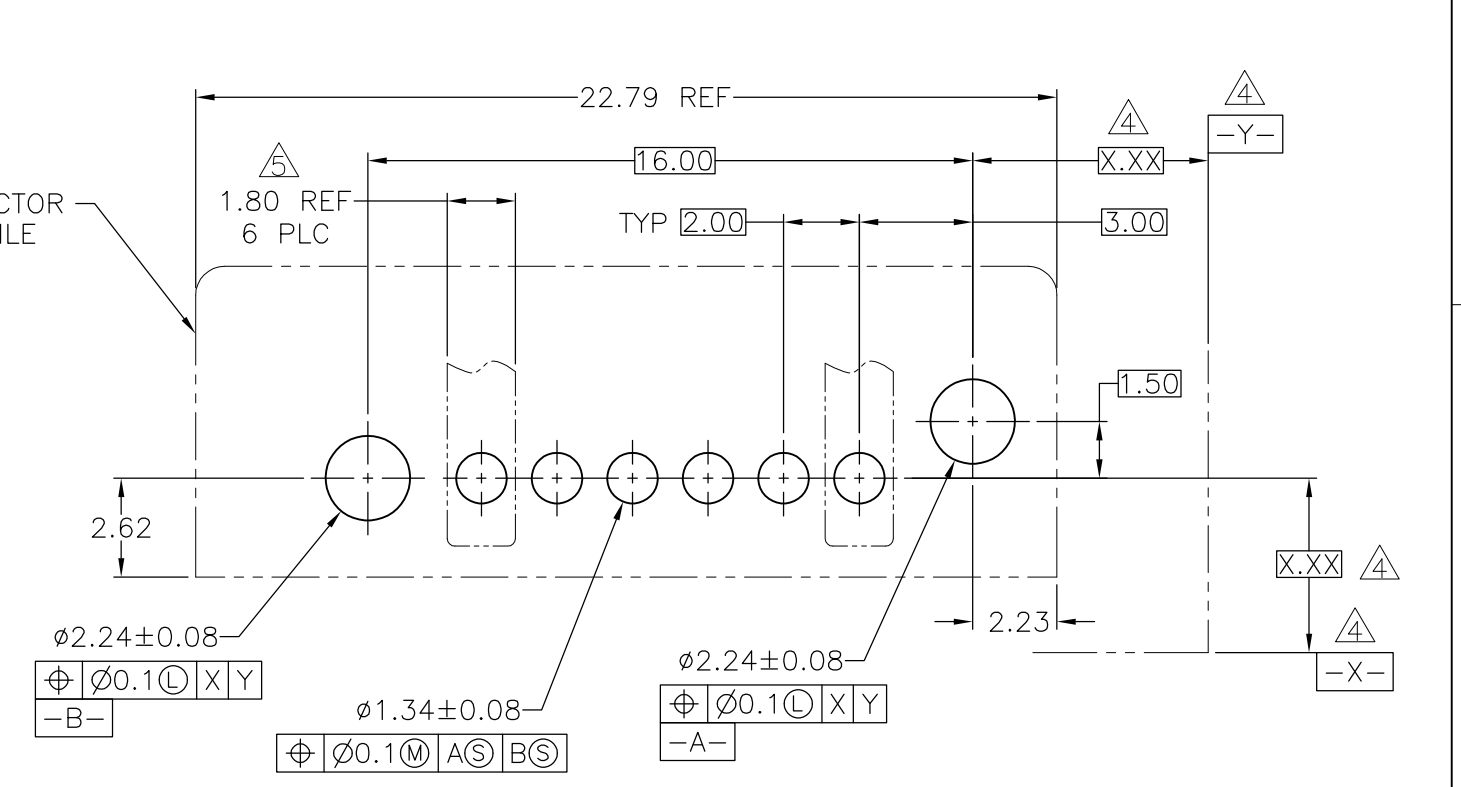
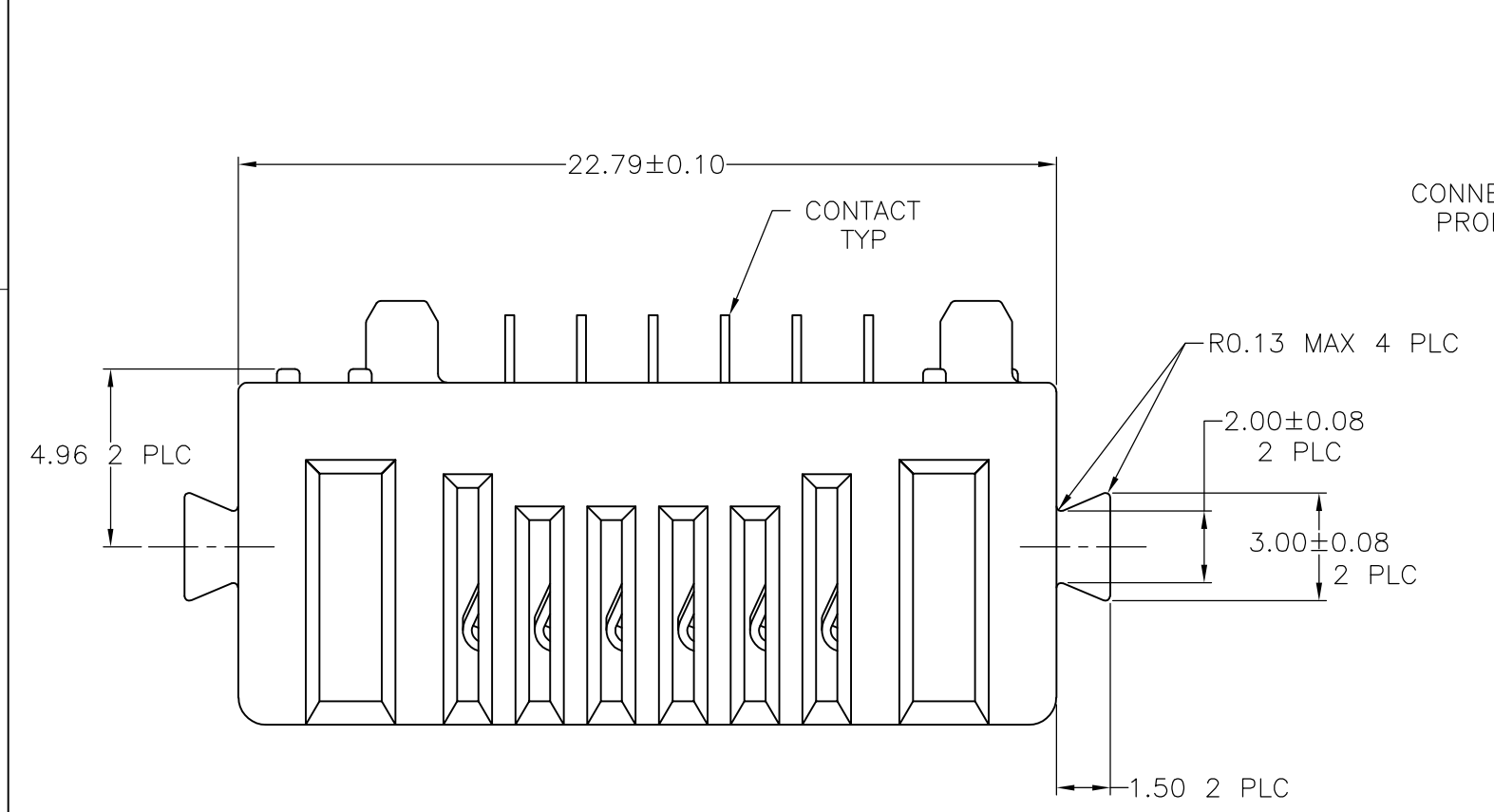


THIS DRAWING IS UNPUBLISHED. RELEASED FOR PUBLICATION
 © COPYRIGHT - By - ALL RIGHTS RESERVED.

LOC	DIST	REVISIONS					
ES	00	P	LTR	DESCRIPTION	DATE	DWN	APVD
		A1		REVISED PER ECO-11-005033	29MAR11	RK	HMR



2.03	5787253-2
1.50	5787253-1
C	PART NO.

NOTE:
 ① LCP, UL 94V-0 RATED, BLACK.
 ② PHOSPHOR BRONZE.
 ③ 0.076um MIN. GOLD OVER 0.76um MIN. PALLADIUM NICKEL ON MATING AREA, 3.80um MIN. TIN ON SOLDER TAIL, ALL OVER 1.27um MIN. NICKEL.
 ④ DATUMS AND BASIC DIMENSIONS ESTABLISHED BY CUSTOMER.
 ⑤ RECOMMENDED MINIMUM TRACE WIDTH FOR END POSITIONS WHEN CARRYING 3 AMPS: 1.8 WIDE x 55um THICK, BOTH SIDES.

THIS DRAWING IS A CONTROLLED DOCUMENT.		DWN	GAVIN ZHANG	23NOV04	TE Connectivity RECEPTACLE ASSEMBLY, 6 POSITION, THRU-HOLE, MDI
DIMENSIONS: mm		CHK	STEVEN YAO	23NOV04	
TOLERANCES UNLESS OTHERWISE SPECIFIED:		APVD	I. ENOMOTO	23NOV04	
0 PLC ± - 1 PLC ± - 2 PLC ± 0.13 3 PLC ± - 4 PLC ± - ANGLES ± -		PRODUCT SPEC	NAME		
MATERIAL		APPLICATION SPEC		SIZE	
-		FINISH		CAGE CODE A300779	
-		WEIGHT		DRAWING NO	
		CUSTOMER DRAWING		C-5787253	
		SCALE		RESTRICTED TO	
		5:1		-	
		SHEET		REV	
		1 OF 1		A1	