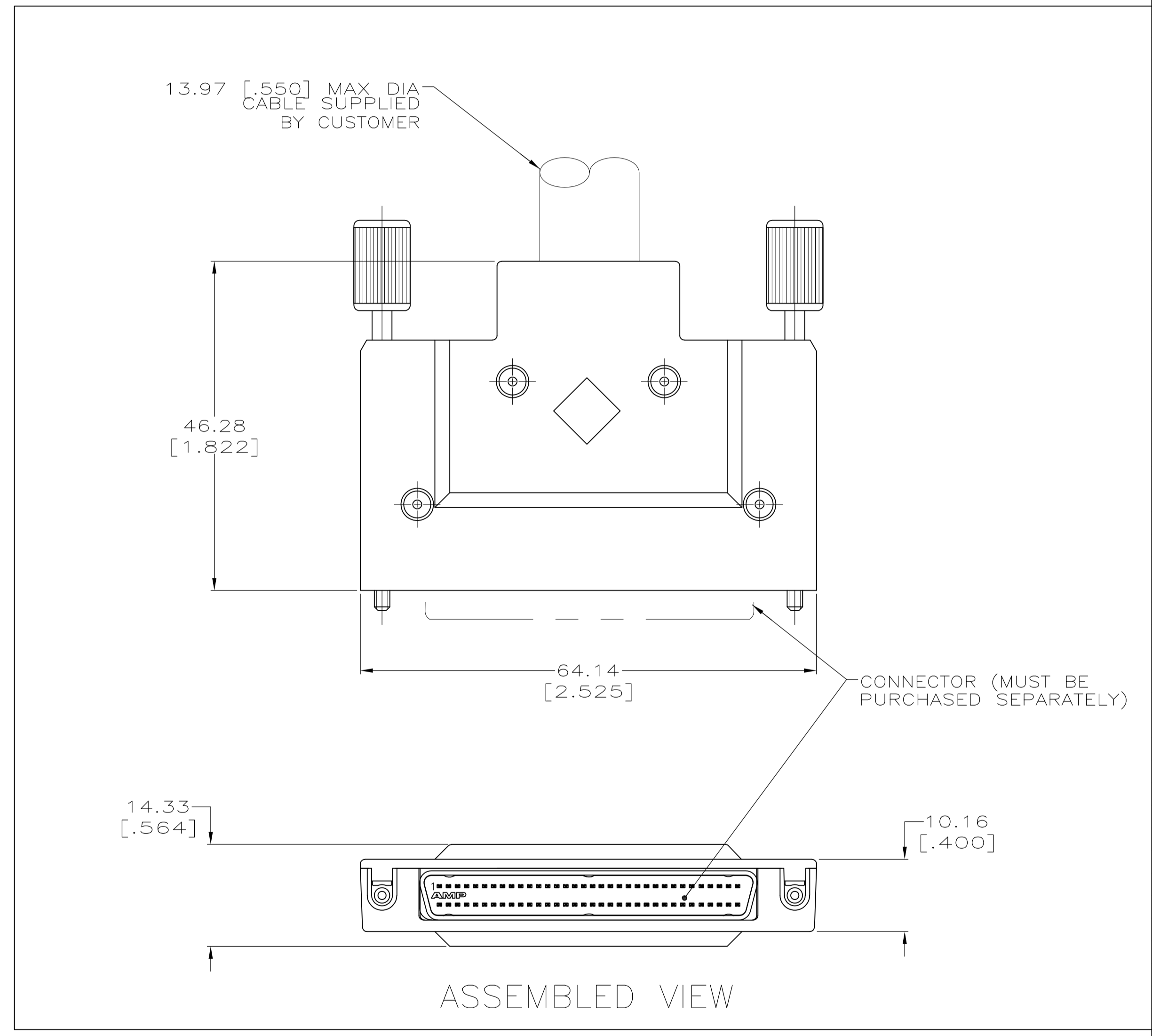
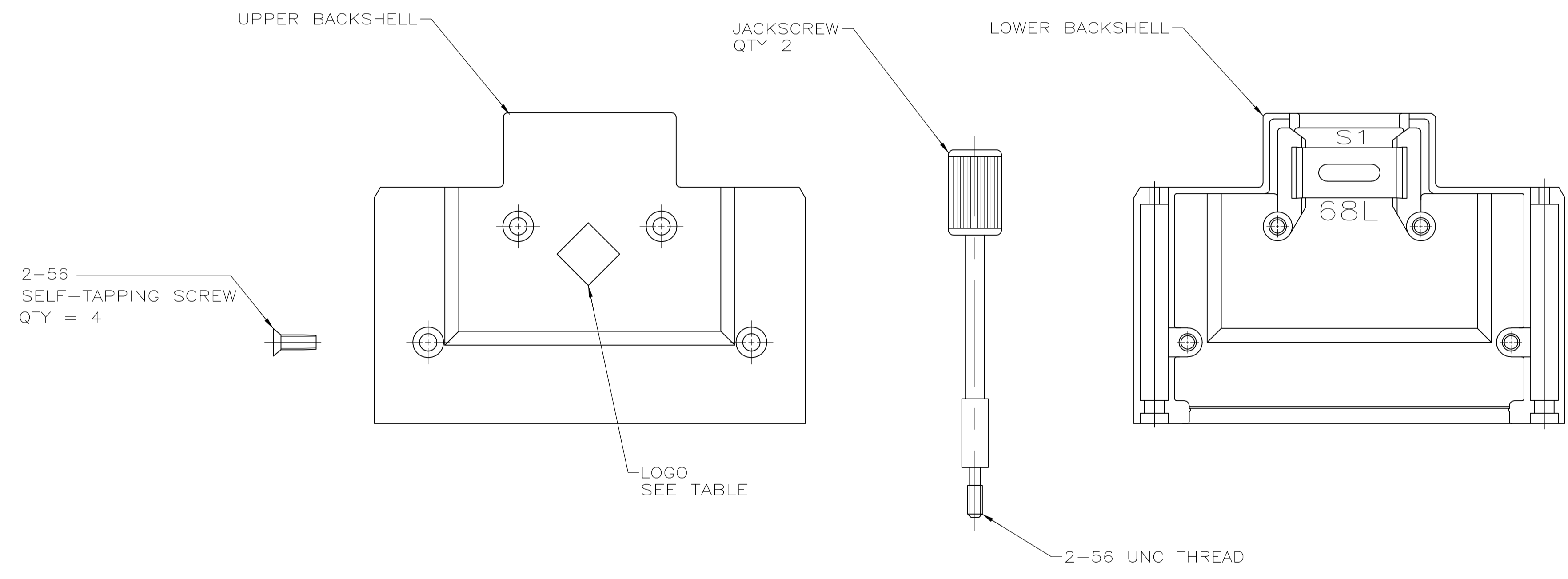


REVISIONS					
P	LTR	DESCRIPTION	DATE	OWN	APVD
C		REVISED PER ECO-16-005483	14APR2016	AP	DG

- 1 BACKSHELL: ZINC PER ASTM B86.
- 2 STAPLE: CARBON STEEL PER ASTM A109.
- 3 SCREW: STAINLESS STEEL.
- 4 STAPLE: 1.27µm [.000050] MIN TIN OVER 1.27µm [.000050] MIN NICKEL.
- 5 STAINLESS STEEL



NO	5	-	5786152-3
LOGO	JACKSCREW	FINISH	PART NUMBER

THIS DRAWING IS A CONTROLLED DOCUMENT.

DIN	B	MCMASTER	20JUN05
CHK	S	SHUEY	20JUN05
APVD	S	SHUEY	20JUN05
NAME	BACKSHELL KIT, UNASSEMBLED, 68 POSN, .050 SERIES AMPLIMITE TM		
PRODUCT SPEC	-		
APPLICATION SPEC	-		
SIZE	A1	CAGE CODE	DRAWING NO
WEIGHT	5786152		RESTRICTED TO
CUSTOMER DRAWING		SCALE	2:1 SHEET 1 OF 1 REV C