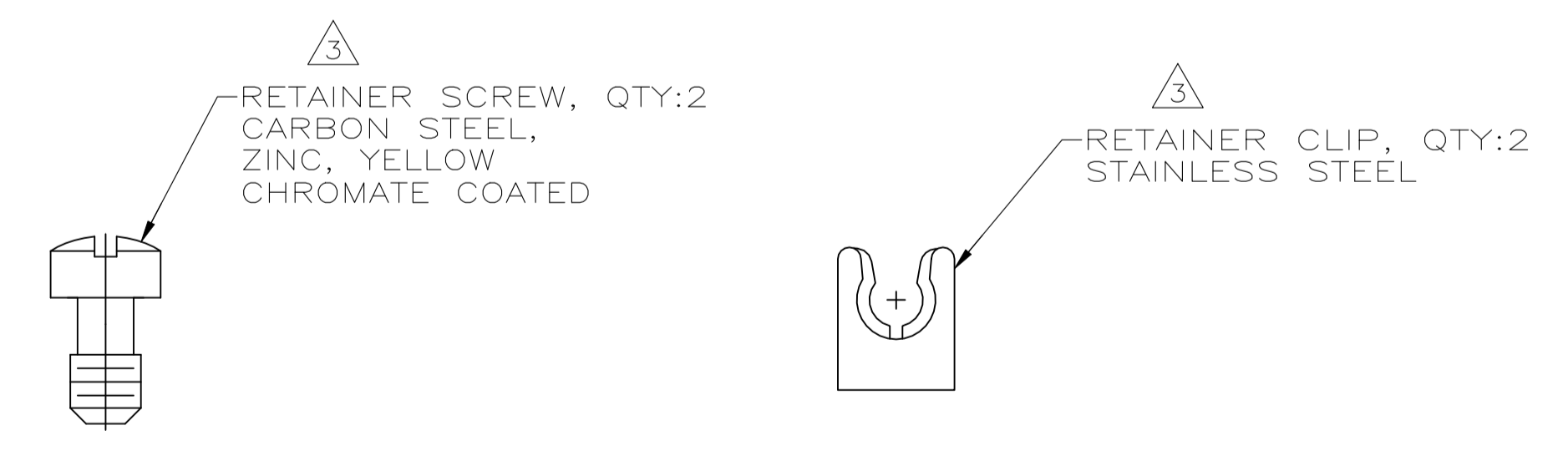
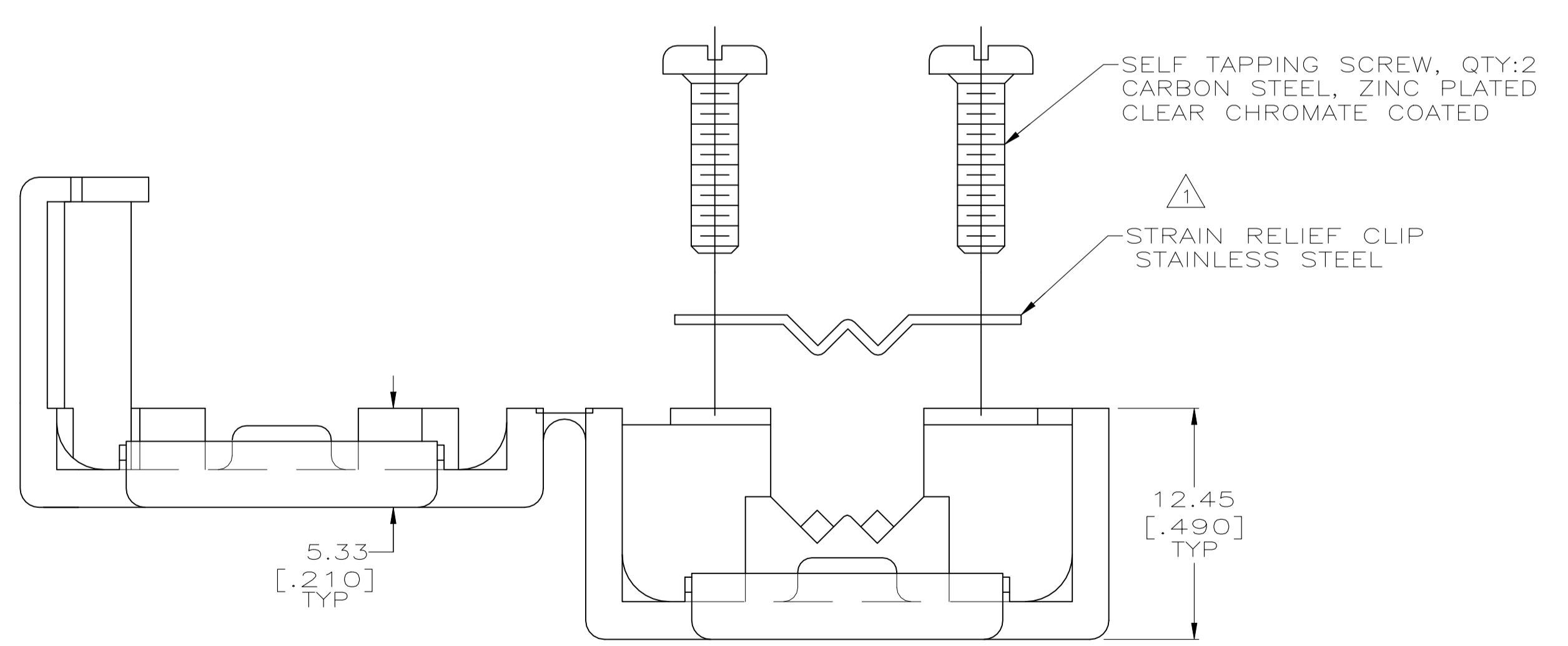
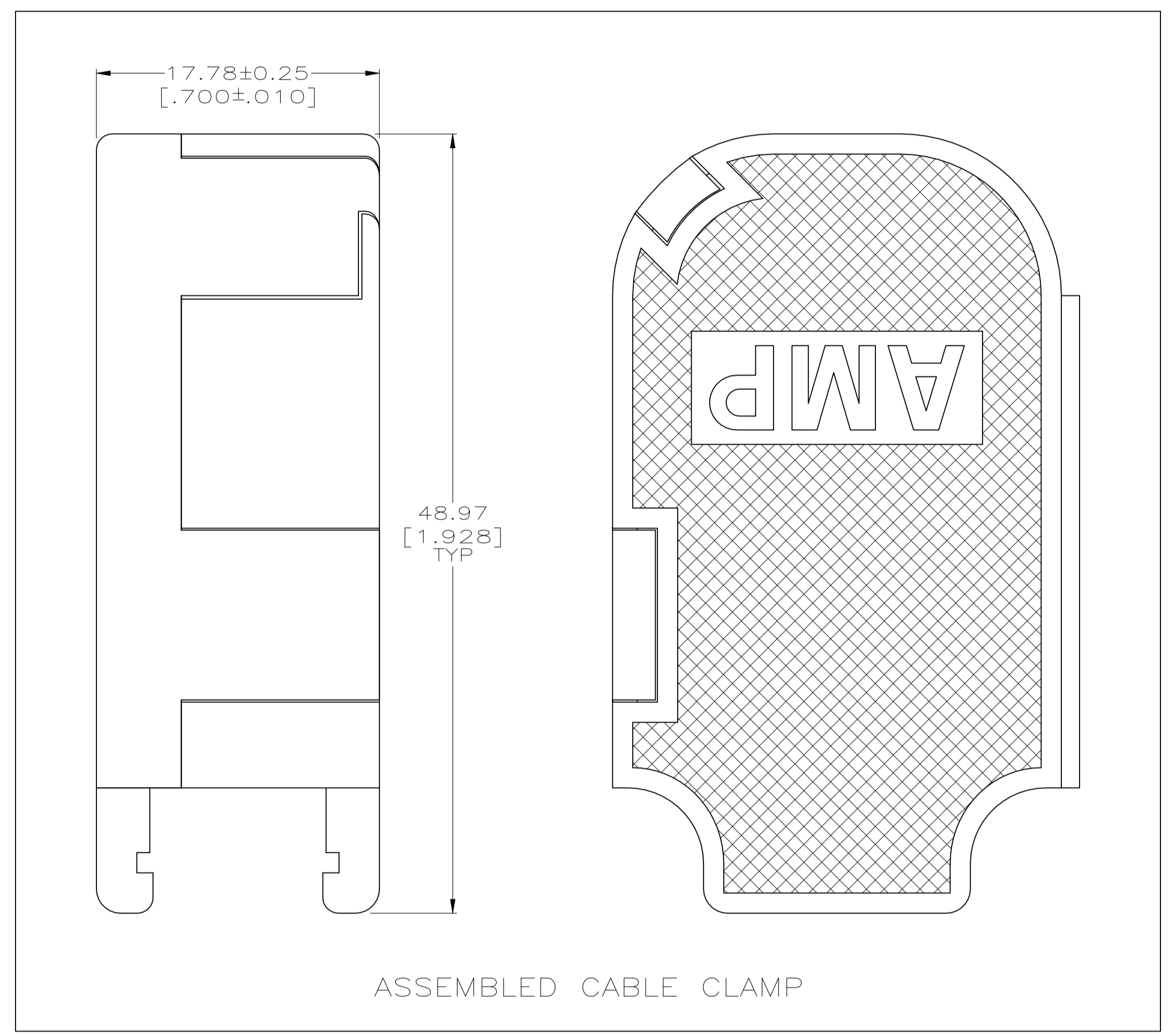
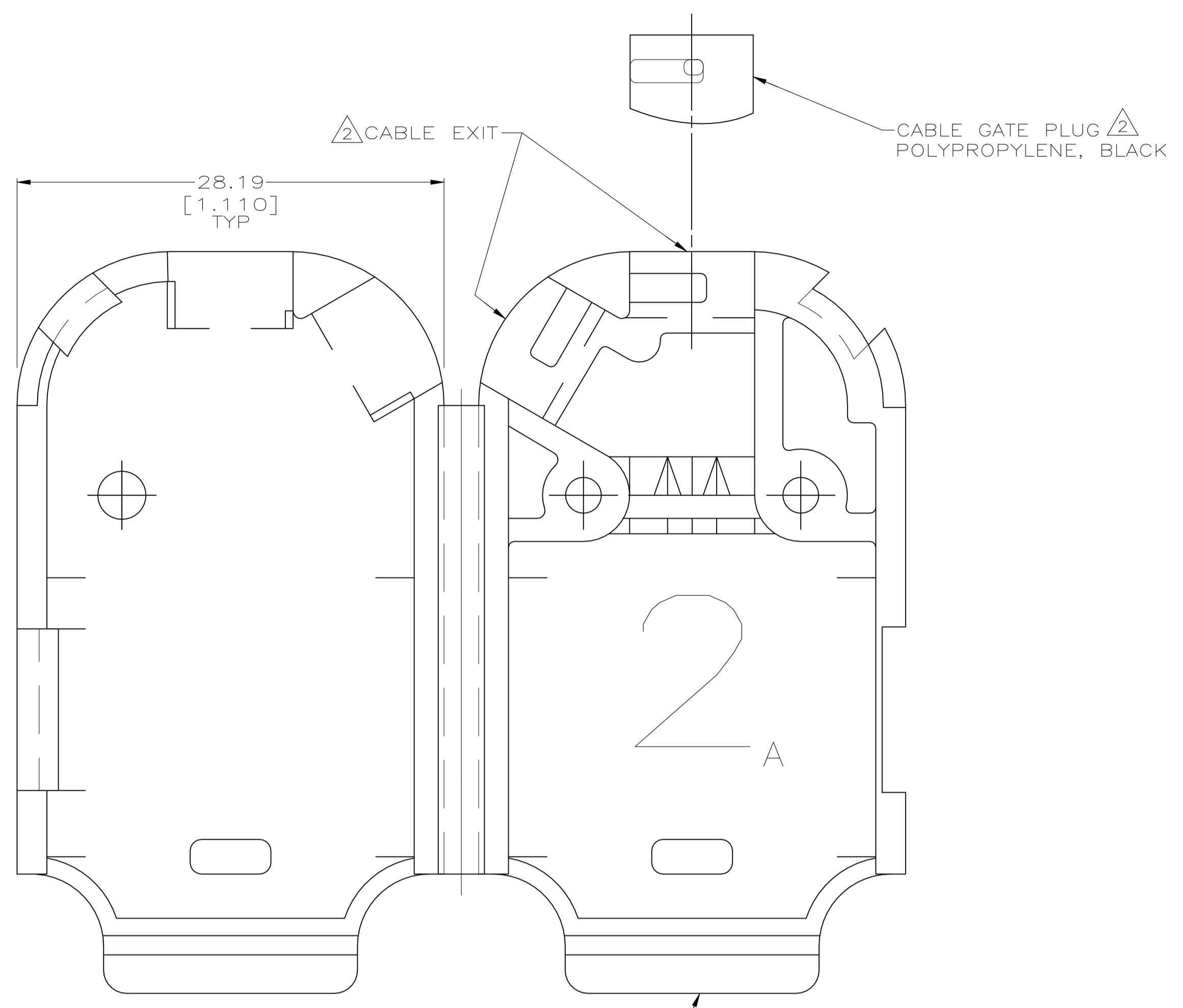


REVISIONS				
P	LR	DESCRIPTION	DATE	DWN APVD
B		RELEASED PER ECN-24-257391	26MAR2024	SKN PS



- ⚠️ CLIP CAN BE INSTALLED AS SHOWN FOR SMALL DIAMETER CABLE, OR REVERSED FOR LARGE DIAMETER CABLE.
- ⚠️ CABLE GATE PLUG TO BE PLACED IN CABLE EXIT NOT BEING USED.
- ⚠️ RETAINER SCREWS AND RETAINER CLIPS PROVIDED WITH THIS KIT FOR USE WITH METAL SHELL CONNECTORS.
- 4. CABLE DIAMETER RANGE = 4.32-9.65 [.170-.380].

UNIT KIT	5749915-2
PACKAGING	PART NO
TE TE Connectivity	
CABLE CLAMP KIT, UNASSEMBLED SIZE 2 QUIK-SNAP 120/180 DEG CABLE EXIT AMPLIMITE	
SIZE	CAGE CODE DRAWING NO
A1	00779 5749915
CUSTOMER DRAWING	SCALE 4:1 SHEET 1 OF 1 REV B

THIS DRAWING IS A CONTROLLED DOCUMENT.		DWN R. RICHARDSON 15SEP05
DIMENSIONS: INCHES		CHK C. ROHDE 15SEP05
TOLERANCES UNLESS OTHERWISE SPECIFIED:		APVD M. WALMSLEY 15SEP05
0 PLC	±	NAME
1 PLC	±	PRODUCT SPEC
2 PLC	± 0.13 [0.005]	APPLICATION SPEC
3 PLC	±	ANGLE
4 PLC	±	FINISH
MATERIAL SEE CALLOUTS		WEIGHT 0.000000
SEE CALLOUTS		RESTRICTED TO