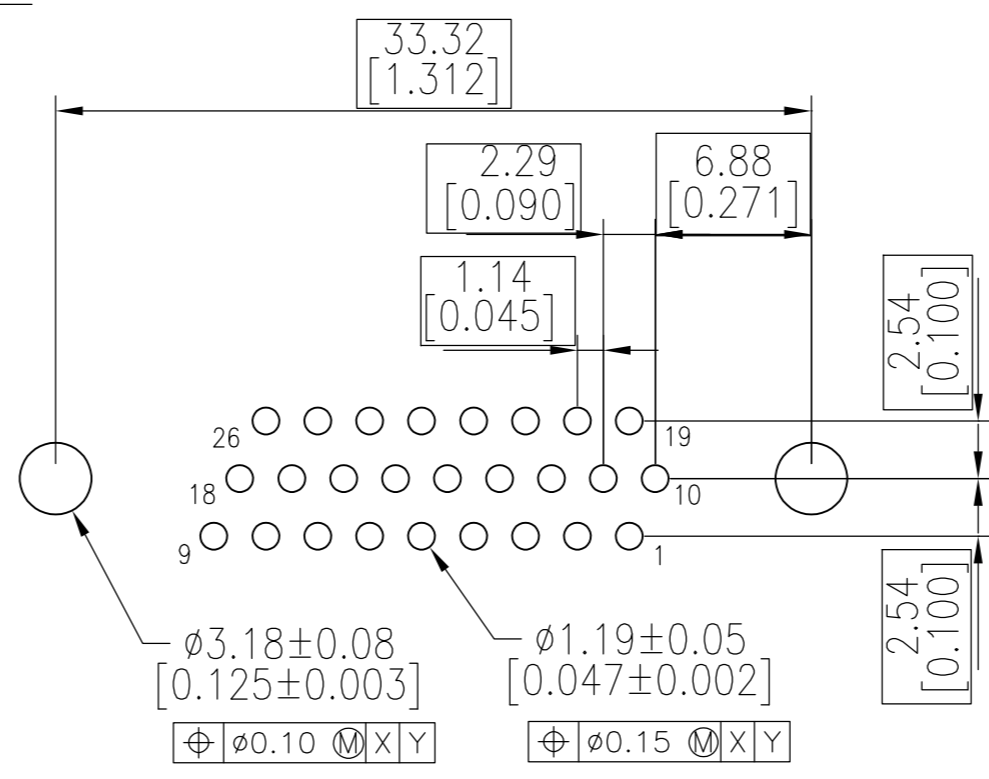
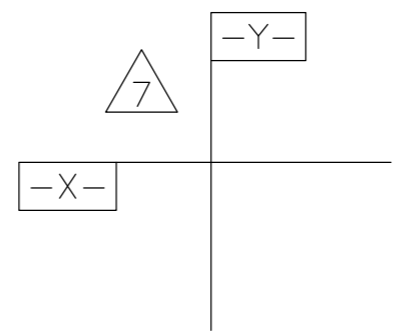
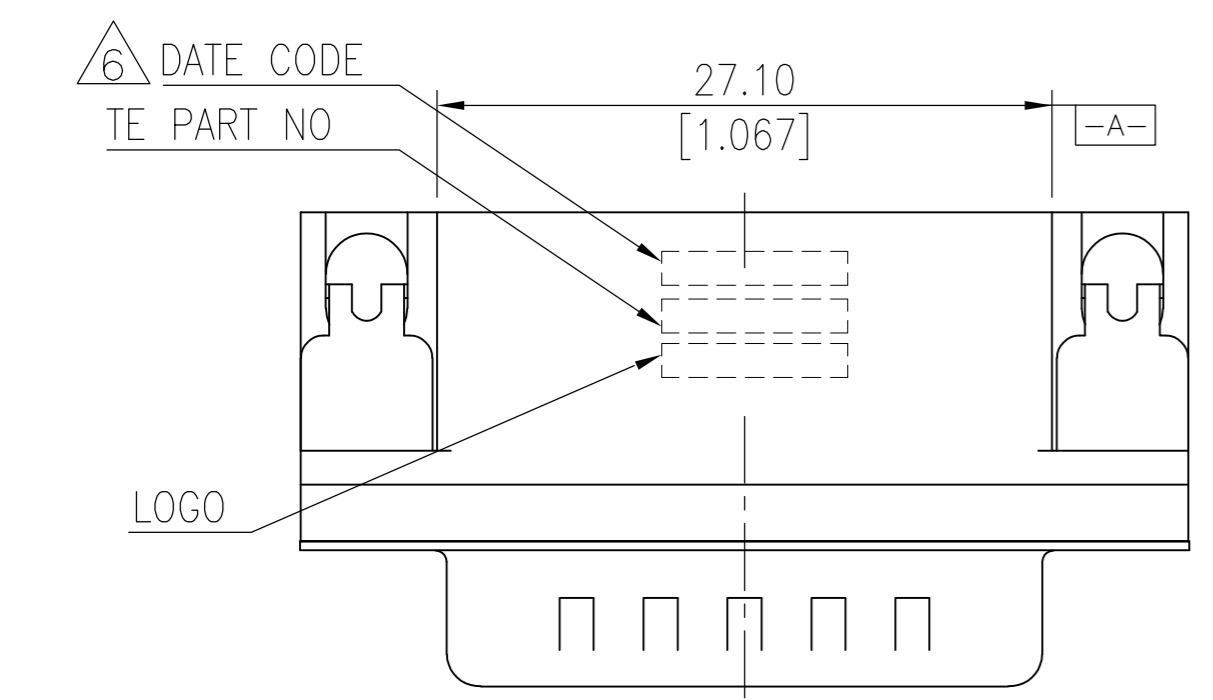
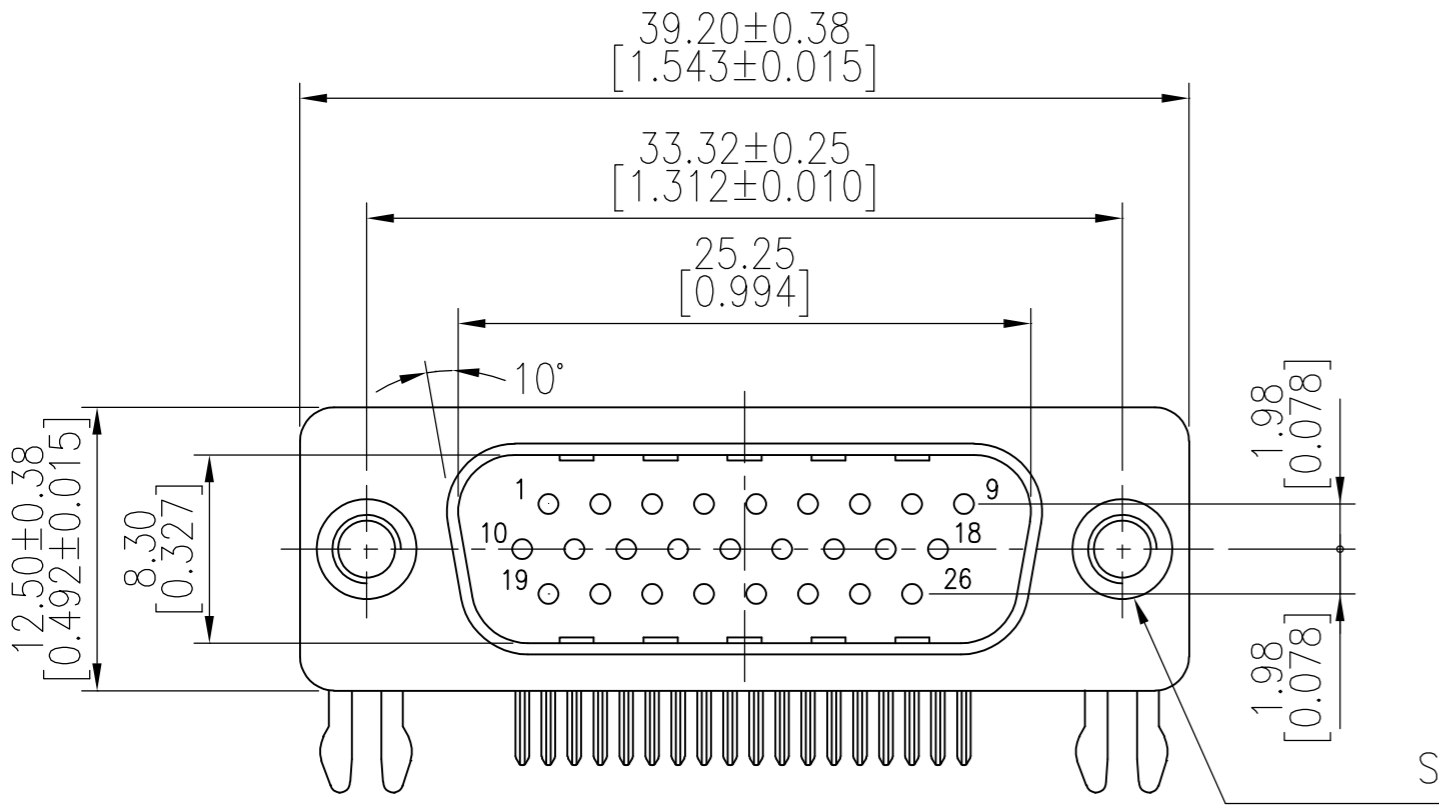


THIS DRAWING IS UNPUBLISHED. RELEASED FOR PUBLICATION
 © COPYRIGHT - By - ALL RIGHTS RESERVED.

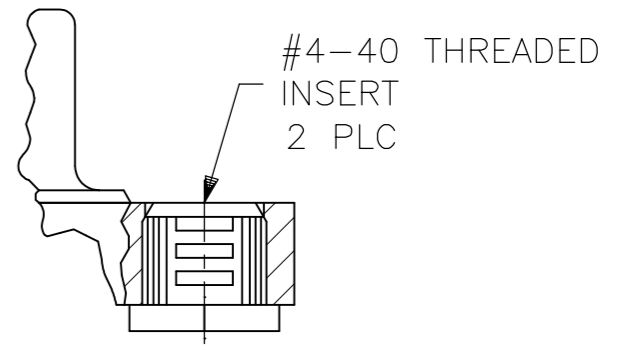
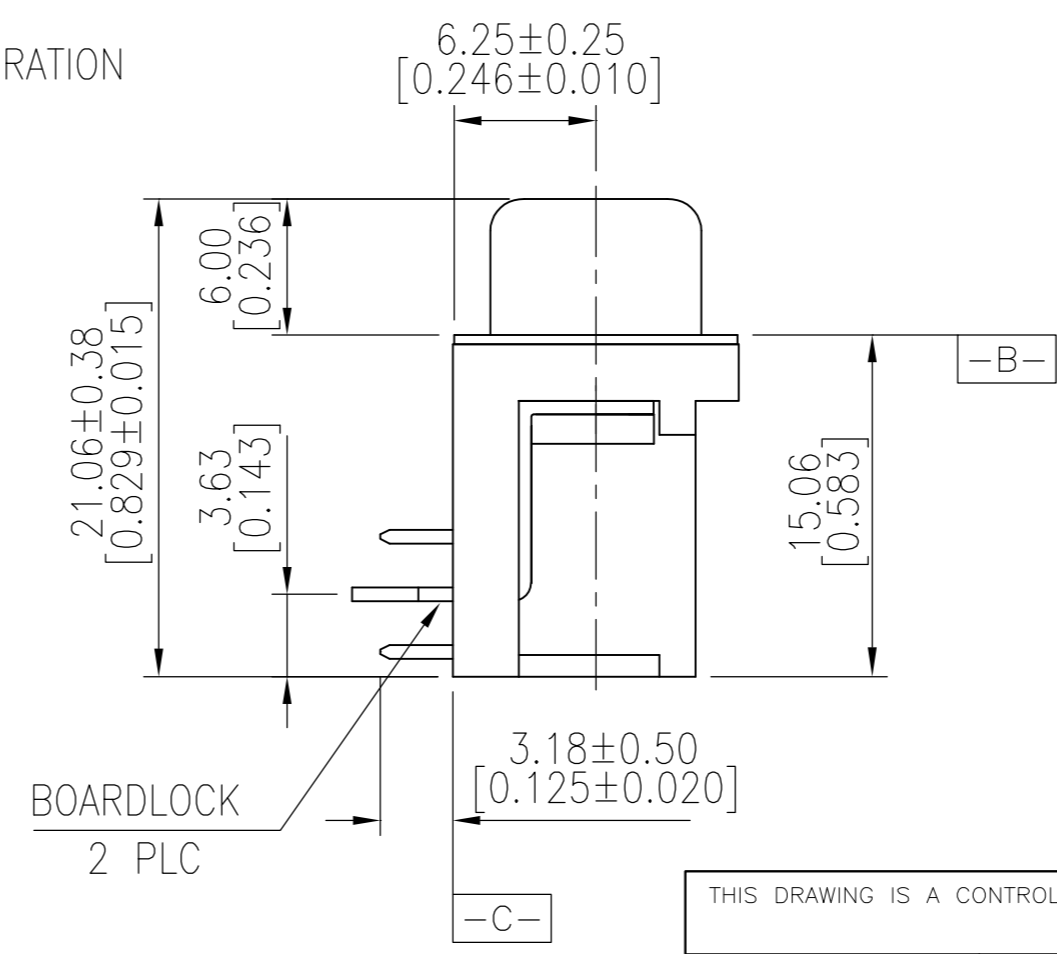
LOC		DIST		REVISIONS			
P	LTR	DESCRIPTION	DATE	DWN	APVD		
C		REVISED PER ECO-17-013750	21FEB2018	AP	DG		



RECOMMENDED PCB LAYOUT



SEE TABLE FOR MOUNTING CONFIGURATION



DETAIL A

- HOUSING: PBT, BLACK, UL94V-0.
 - CONTACT: BRASS, GOLD PLATE IN THE MATING AREA (SEE TABLE), 120u" MINIMUM TIN PLATE ON THE SOLDER-TAIL BOTH OVER 50u" MINIMUM NICKEL UNDERPLATE.
 - SHELL: STEEL, NICKEL PLATE.
 - BOARDLOCK: BRASS, 100u" MINIMUM TIN PLATE
 - THREADED INSERT: BRASS, NICKEL PLATE
- △ FOUR DIGIT DATE CODE IN THIS FORMAT.
- YEAR 01 45 MANUFACTURING WEEK
- △ DATUMS -X- & -Y- TO BE ESTABLISHED BY CUSTOMER.

REVISION	DESCRIPTION	DATE	DWN	APVD
3	OBsolete TRAY			
2	OBsolete TRAY			
1	OBsolete TRAY			

SUPERSEDED BY 2311776-1

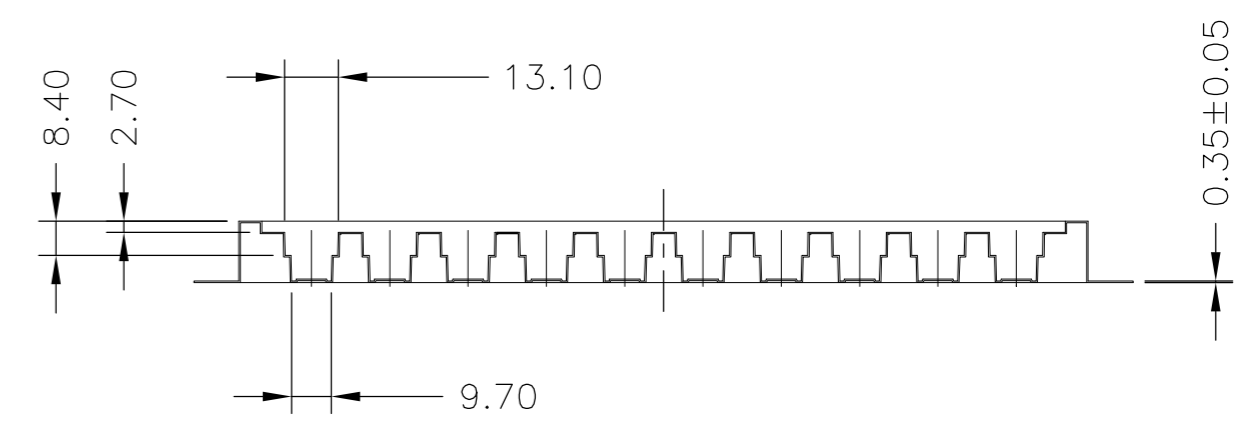
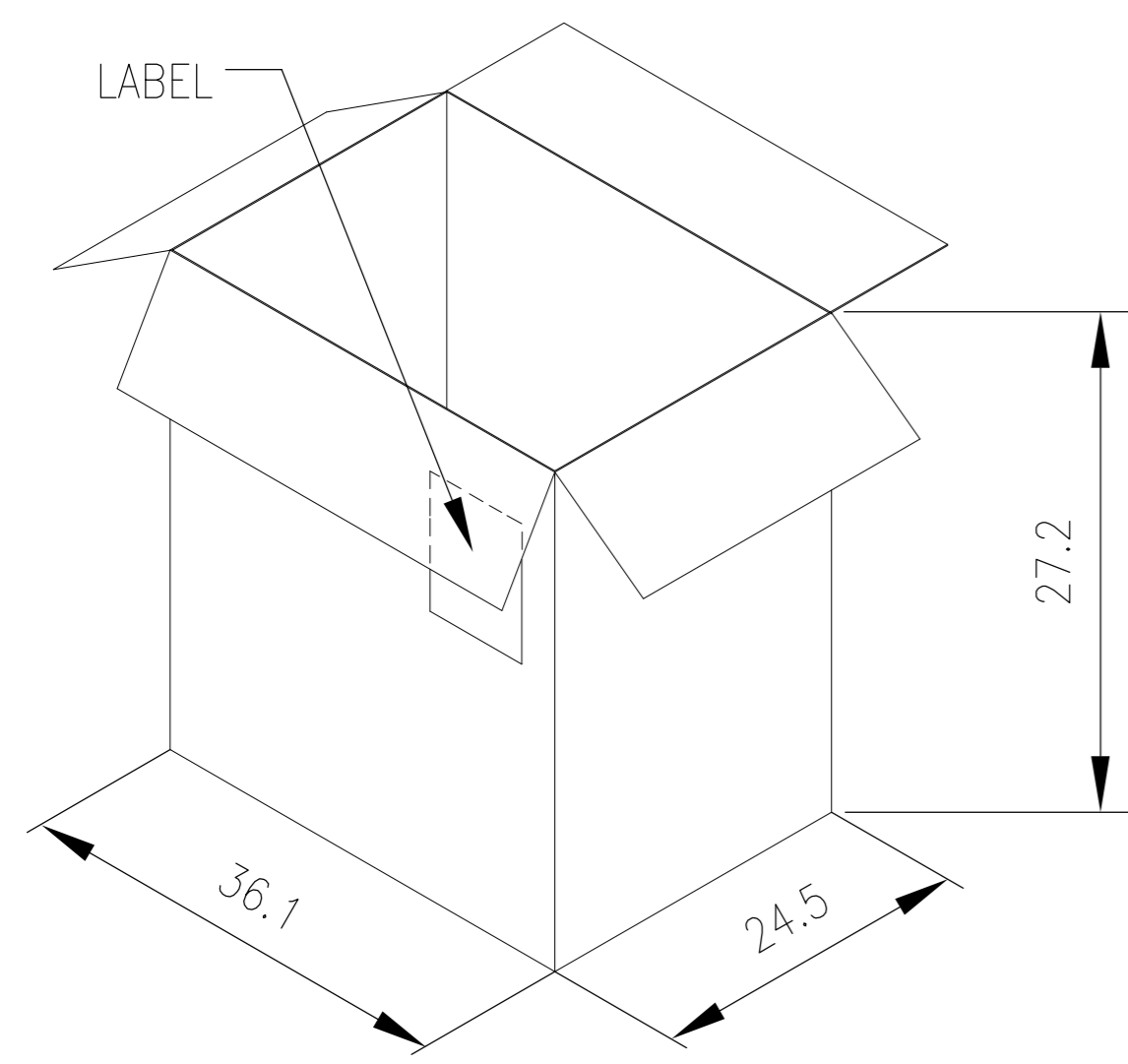
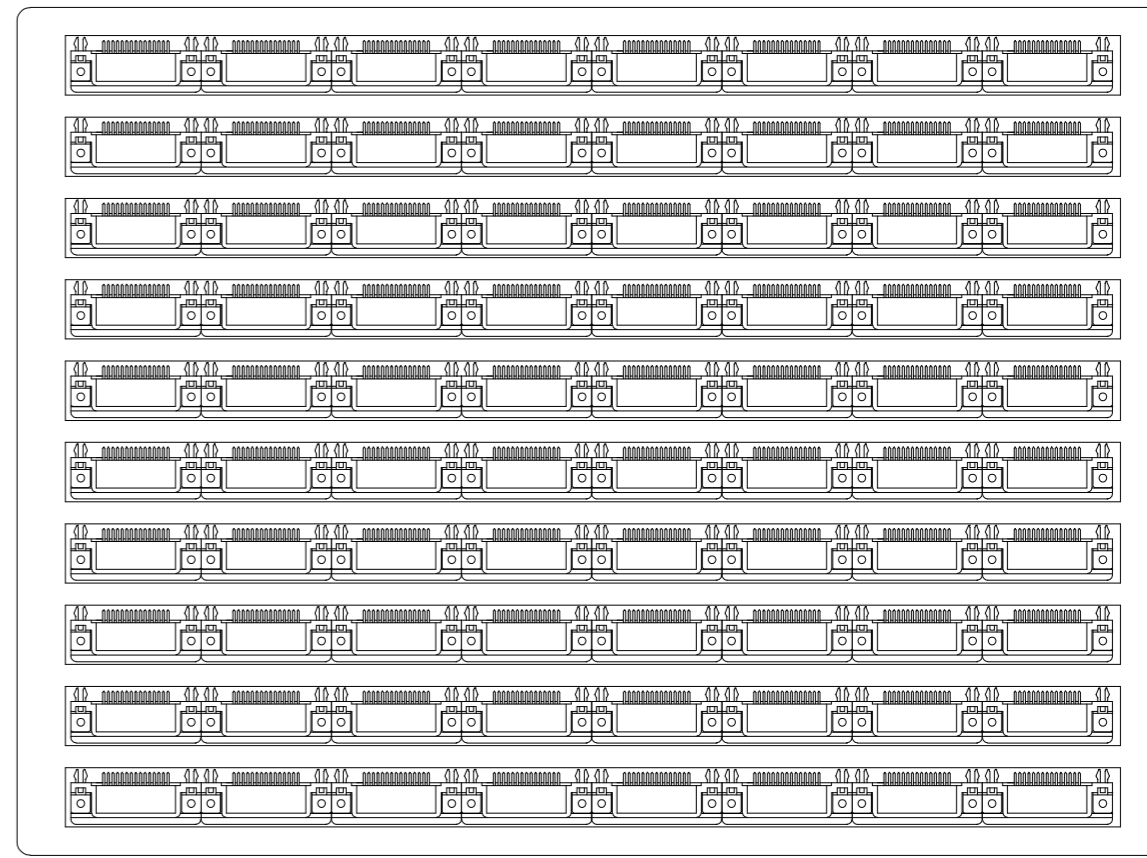
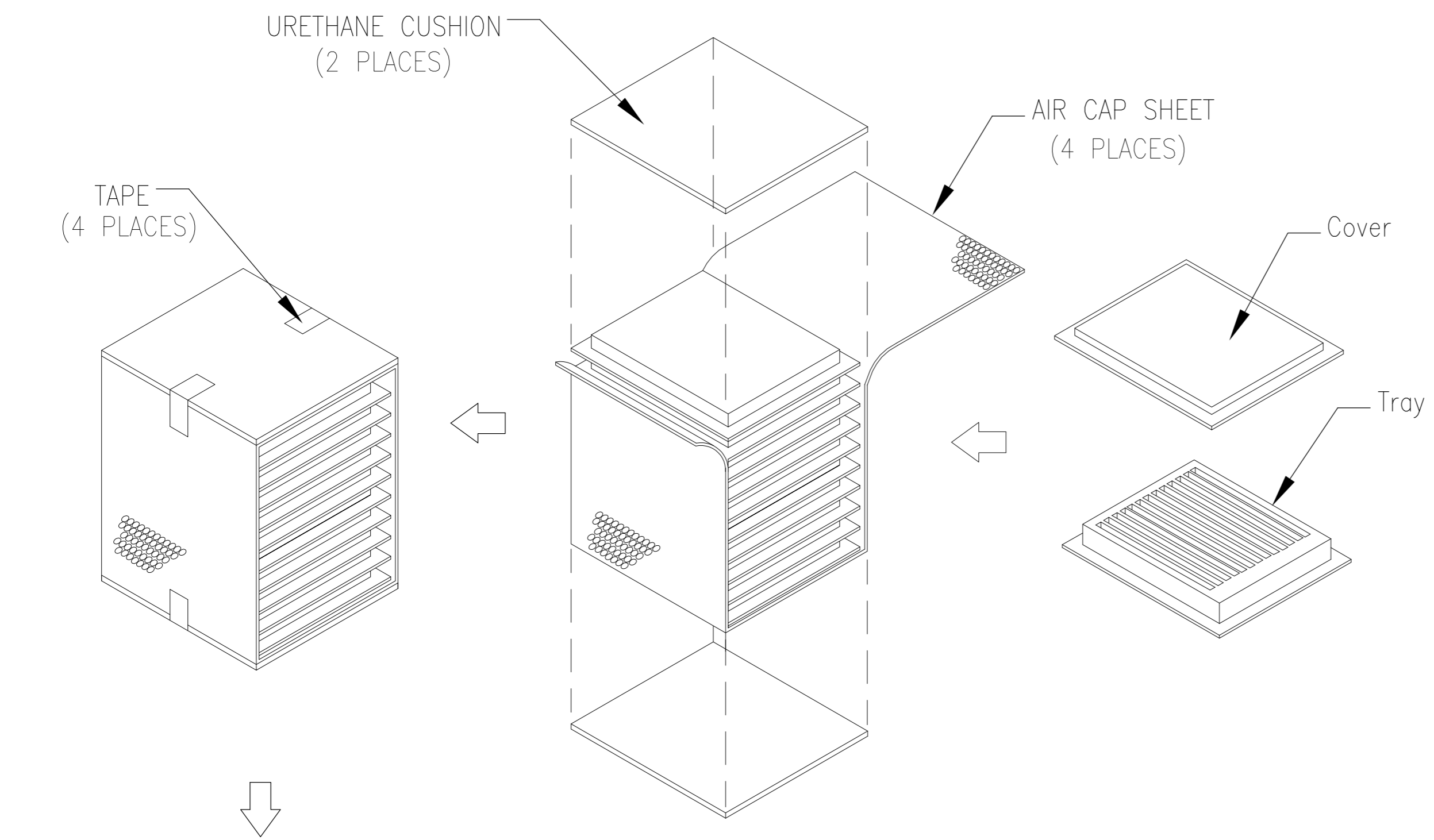
PACKAGING	MOUNTING FLANGE CONFIG	CONTACT MATING AREA FINISH	PART NUMBER
			5749769-3
			5749769-2
			5749769-1

THIS DRAWING IS A CONTROLLED DOCUMENT.		DWN R. RICHARDSON 22APR2005	TE Connectivity	
DIMENSIONS: mm		CHK S. BOLASH 22APR2005	PLUG ASSEMBLY, RIGHT ANGLE, 26 POSITION, HD-22, AMPLIMITE	
TOLERANCES UNLESS OTHERWISE SPECIFIED:		APVD M. WALMSLEY 22APR2005	SIZE A2	CAGE CODE 00779
0 PLC ± -		PRODUCT SPEC	DRAWING NO C=5749769	RESTRICTED TO -
1 PLC ± 0.30		APPLICATION SPEC	SCALE -	SHEET 1 of 2
2 PLC ± 0.20		WEIGHT - GRAMS	REV C	
3 PLC ± 0.10		CUSTOMER DRAWING		
4 PLC ± -				
ANGLES ± 2°				
FINISH SEE NOTE				

THIS DRAWING IS UNPUBLISHED. RELEASED FOR PUBLICATION
 © COPYRIGHT - By - ALL RIGHTS RESERVED.

LOC		DIST		REVISIONS			
P	LTR	DESCRIPTION	DATE	DWN	APVD		
-	-	SEE SHEET 1	-	-	-		

- NOTES:
- MATERIAL:
 - 1.1 TRAY: PVC
 - 1.2 SHIPPING CARTON: CORRUGATED FIBERBOARD
 - DIMENSION:
 - 2.1 TRAY: L=32.0X23.0X1.89 CM
 - 2.2 SHIPPING CARTON: L=36.1X24.5X27.2 CM
 - QUANTITY:
 - 3.1 PRIMARY PACKING: 80 PCS/TRAY
 - 3.2 SECONDARY PACKING: 10 TRAY/CARTON(800PCS)
 - WEIGHT:
 - 4.1 NET WEIGHT: 9.54 Kg
 - 4.2 GROSS WEIGHT: 11.54 Kg



THIS DRAWING IS A CONTROLLED DOCUMENT.		DWN R. RICHARDSON 22APR2005	TE Connectivity	
DIMENSIONS: mm		CHK S. BOLASH 22APR2005		
TOLERANCES UNLESS OTHERWISE SPECIFIED:		APVD M. WALMSLEY 22APR2005	NAME PLUG ASSEMBLY, RIGHT ANGLE, 26 POSITION, HD-22, AMPLIMITE	
0 PLC ± -		PRODUCT SPEC	SIZE	RESTRICTED TO
1 PLC ± 0.30		APPLICATION SPEC	CAGE CODE	DRAWING NO 00779
2 PLC ± 0.20		WEIGHT	SCALE	
3 PLC ± 0.10		FINISH	SHEET	2 of 2
4 PLC ± -		SEE NOTE	REV	C
ANGLES ± 2°		MATERIAL SEE NOTE	CAGE CODE 00779	
FINISH SEE NOTE		WEIGHT - GRAMS		SCALE -
MATERIAL SEE NOTE		CUSTOMER DRAWING		REV C