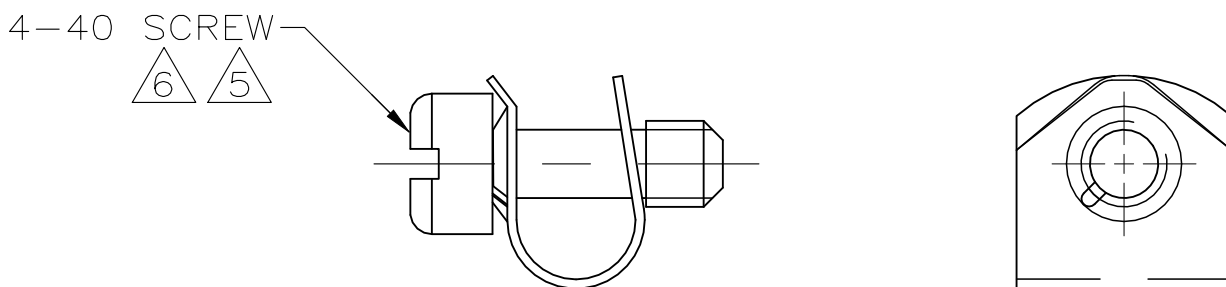
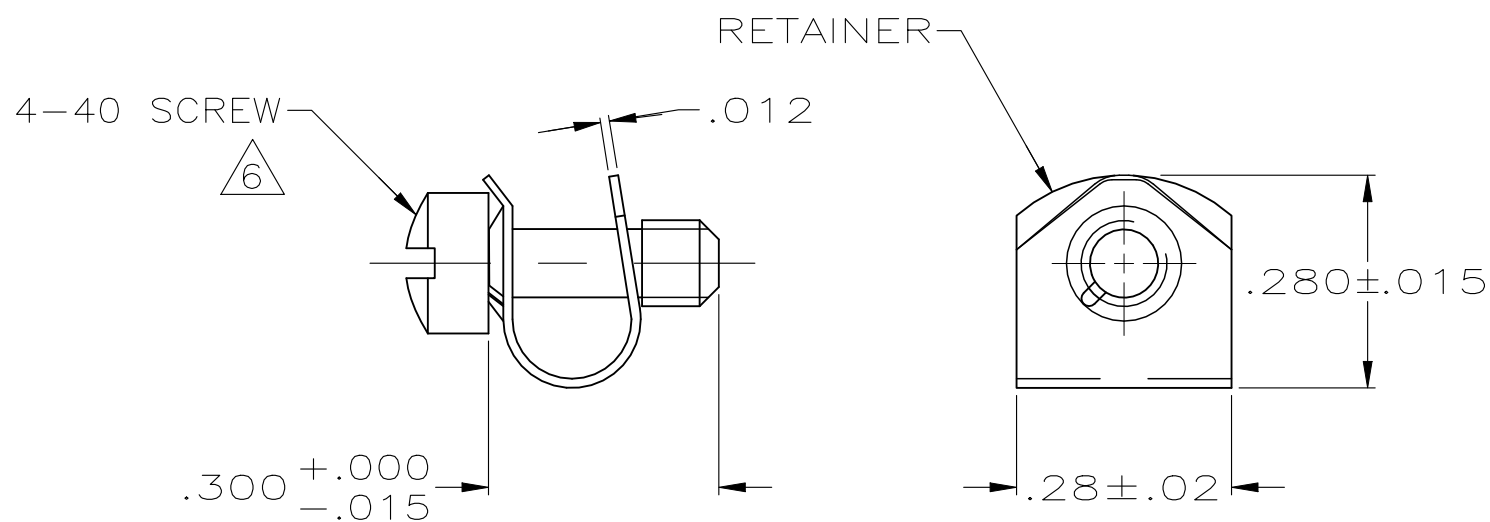


REVISIONS

P	LTR	DESCRIPTION	DATE	DWN	APVD
	A2	REVISED PER ECN-22-152322	05MAY2022	PT	SZ



- ① SCREW: CARBON STEEL.
RETAINER: STAINLESS STEEL.
- ② SCREW: ZINC PLATED .000200-.000400 THICK, CLEAR CHROMATE COATING.
- ③ 2 EACH PACKAGED UNASSEMBLED AS A UNIT KIT.
- ④ INDIVIDUALLY BULK PACKAGED UNASSEMBLED AND SHIPPED AS A UNIT PACKAGE.
- ⑤ ALTERNATE SCREW HEADSHAPE
- ⑥ NUMBER 4 FILLISTER HEAD PER ANSI B18.6.3

④	5746881-2
③	5746881-1
PACKAGING	PART NUMBER

**COPYRIGHT 2005
TE CONNECTIVITY CORP
ALL RIGHTS RESERVED**

THIS DRAWING IS A CONTROLLED DOCUMENT.		DWN J.GERACE 14OCT05	STE TE Connectivity														
DIMENSIONS: INCHES		CHK C.ROHDE 14OCT05															
TOLERANCES UNLESS OTHERWISE SPECIFIED:		APVD M.WALMSLEY 14OCT05	NAME SCREW RETAINER KIT, .135 FLANGE, LOW PROFILE, AMPLIMITE HDF														
<table border="0"> <tr> <td>0 PLC</td> <td>± -</td> </tr> <tr> <td>1 PLC</td> <td>± -</td> </tr> <tr> <td>2 PLC</td> <td>± -</td> </tr> <tr> <td>3 PLC</td> <td>± .005</td> </tr> <tr> <td>4 PLC</td> <td>± -</td> </tr> <tr> <td>ANGLES</td> <td>± -</td> </tr> </table>		0 PLC	± -	1 PLC	± -	2 PLC	± -	3 PLC	± .005	4 PLC	± -	ANGLES	± -	PRODUCT SPEC -	APPLICATION SPEC -		
0 PLC	± -																
1 PLC	± -																
2 PLC	± -																
3 PLC	± .005																
4 PLC	± -																
ANGLES	± -																
MATERIAL ①	FINISH ②	WEIGHT 0.000000	SIZE A3	CAGE CODE 00779	DRAWING NO C-5746881												
CUSTOMER DRAWING			SCALE 4:1	SHEET 1 OF 1	REV A2												