

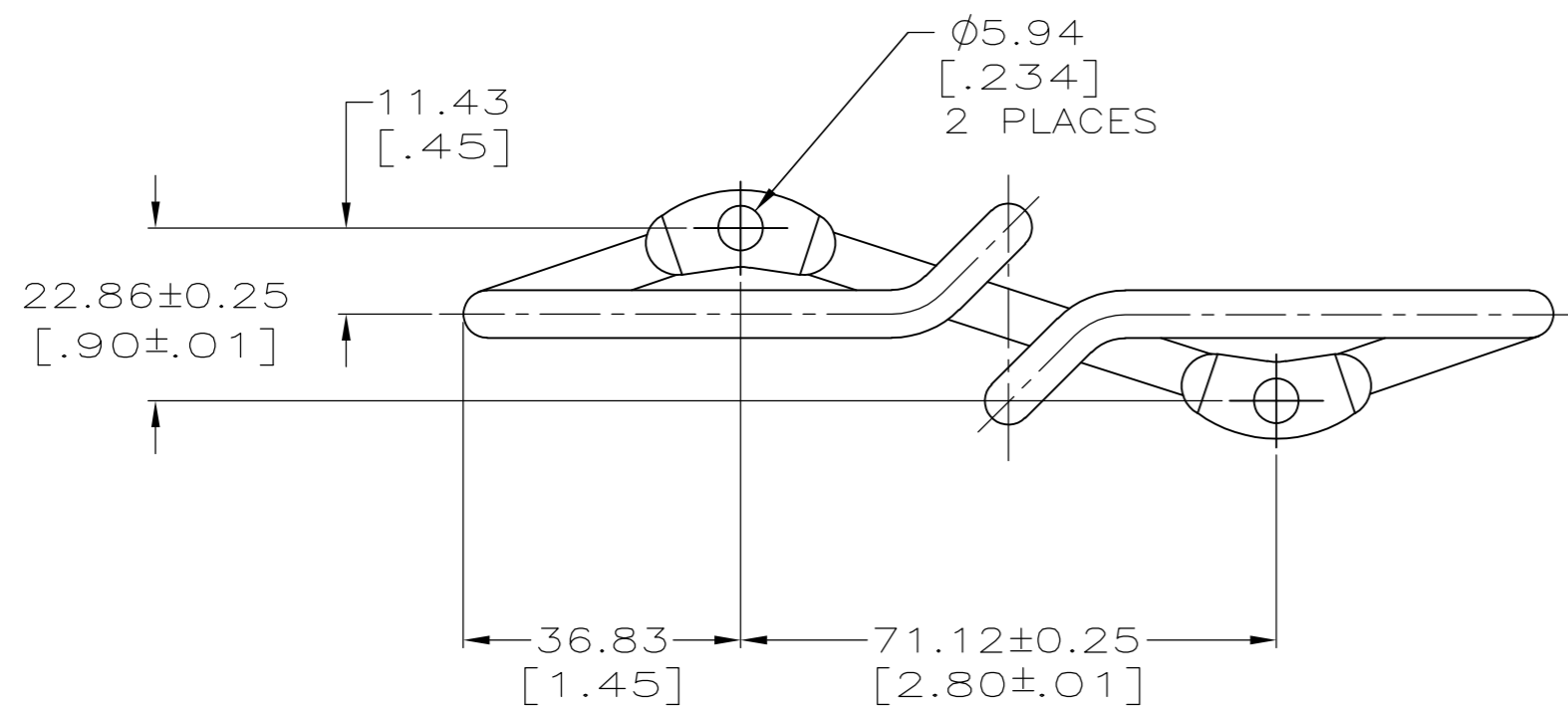
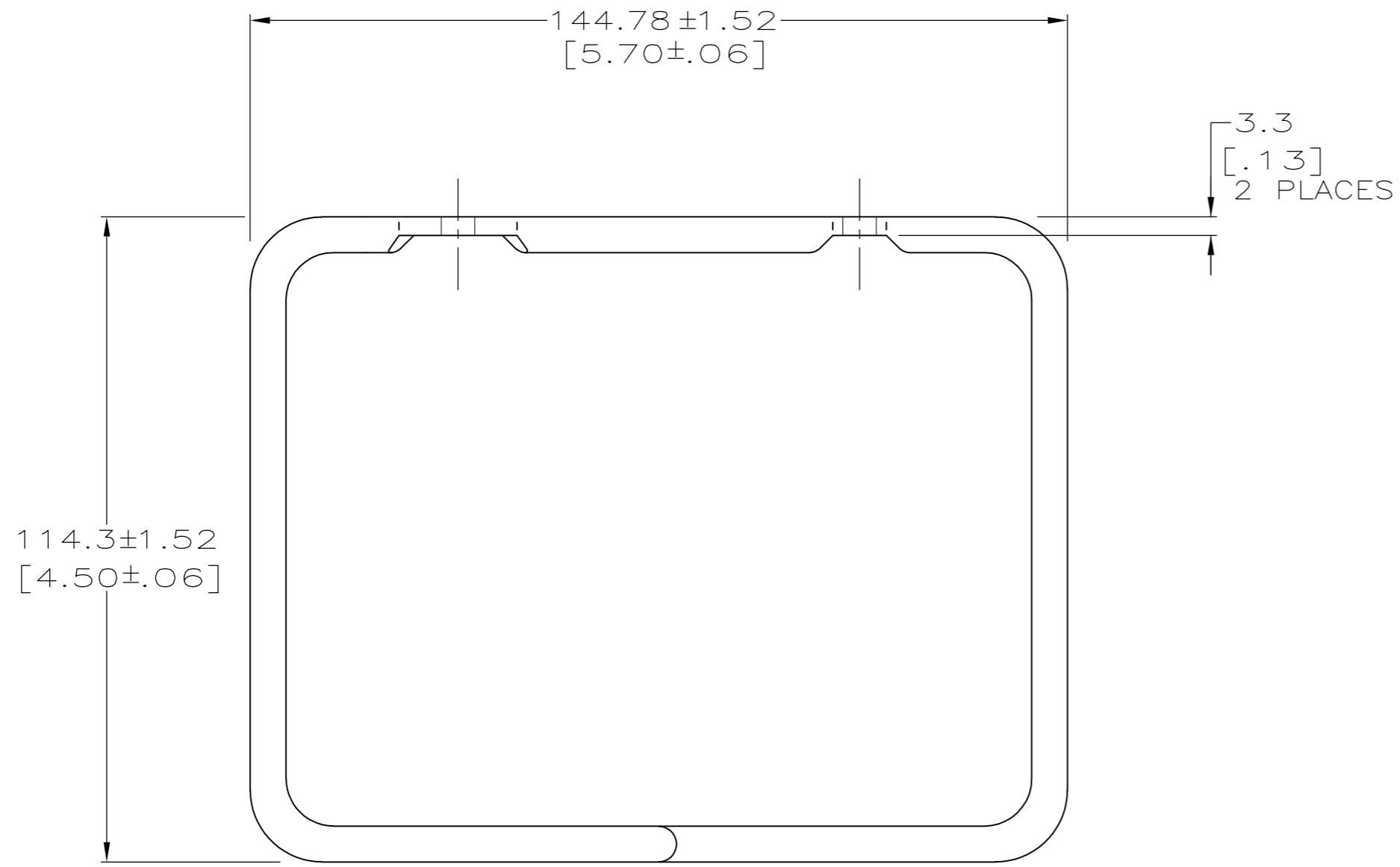
THIS DRAWING IS UNPUBLISHED. RELEASED FOR PUBLICATION
 © COPYRIGHT BY TYCO ELECTRONICS CORPORATION. ALL RIGHTS RESERVED.

LOC	DIST	REVISIONS					
		P	LTR	DESCRIPTION	DATE	DWN	APVD
HM	00		D	REDWN/REV-EC 0B40-0195-04	17AUG04	LH	SH
			E	OBS 21, 31 REV-EC 0B40-0205-04	20DEC04	LH	SH
			F	REV ECO-08-009296	14APR08	LH	SH
			G	REV ECO-10-003221	17MAY2010	LH	SH

① MATERIAL: STEEL, $\phi 6.35$ [.25], BLACK FINISH.

② PACKAGED 1 PER POLY BAG.

⑤ SEE RESTRICTED CUSTOMER DRAWING 3-569431-1.



SUPSD BY 569431-1	⑤
OBSOLETE	
	569431-2
	569431-1/②
	PART NO.

THIS DRAWING IS A CONTROLLED DOCUMENT.		DWN	L. HALL	17AUG2004	Tyco Electronics Corporation Harrisburg, Pa 17105-3608								
DIMENSIONS: mm [INCHES]		CHK	S. HERNDON	17AUG2004									
TOLERANCES UNLESS OTHERWISE SPECIFIED:		APVD	S. HERNDON	17AUG2004									
0 PLC ± - 1 PLC ± - 2 PLC ± 0.51 [.02] 3 PLC ± 0.13 [.005] 4 PLC ± - ANGLES ± -		PRODUCT SPEC	NAME			DISTRIBUTION RING, LARGE, 110 CROSS CONNECT							
MATERIAL	①	FINISH	①	WEIGHT	-	SIZE	A2	CAGE CODE	00779	DRAWING NO	C=569431	RESTRICTED TO	-
CUSTOMER DRAWING			SCALE	1:1	SHEET	1	OF	1	REV	G			