

4

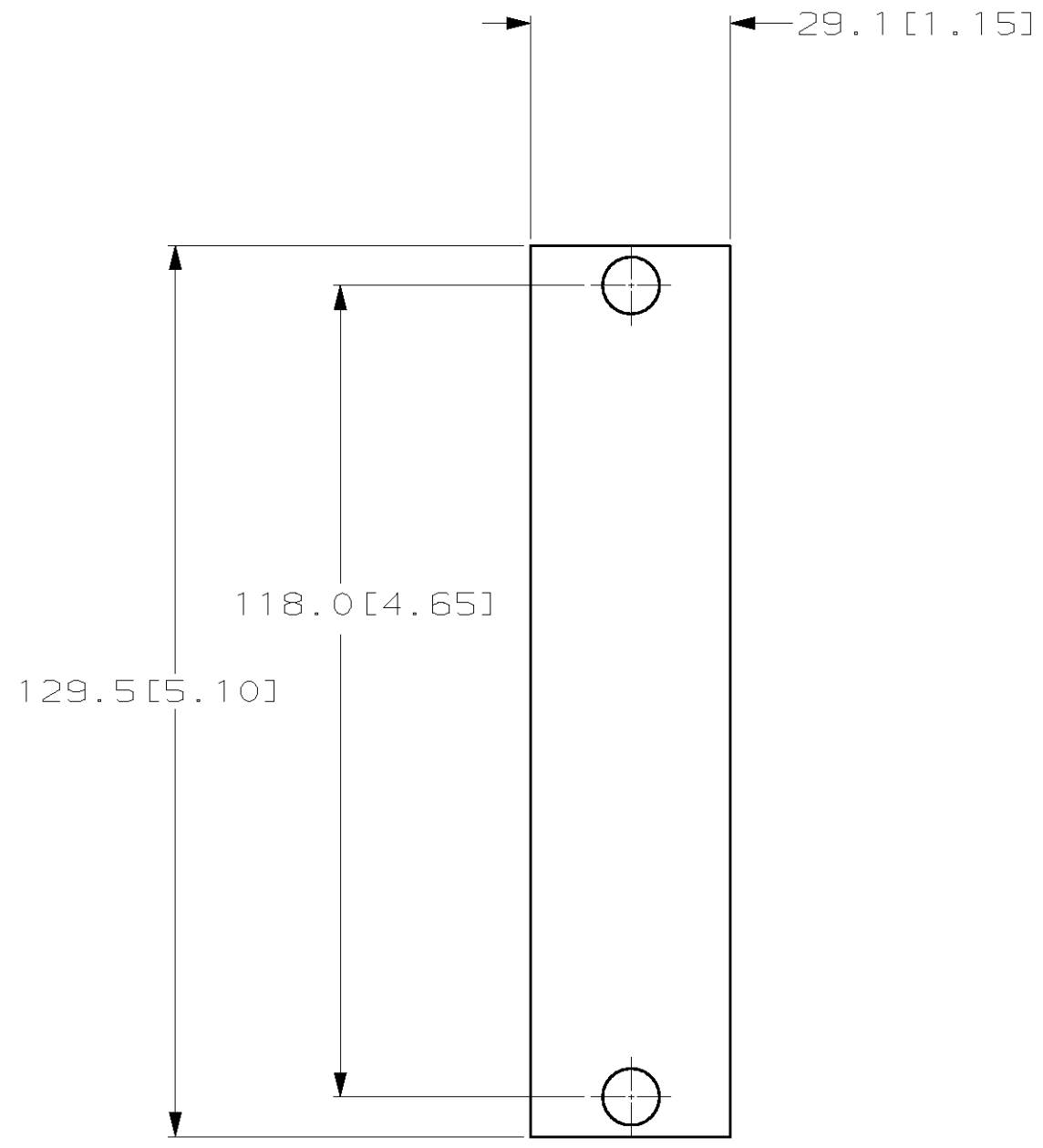
3

2

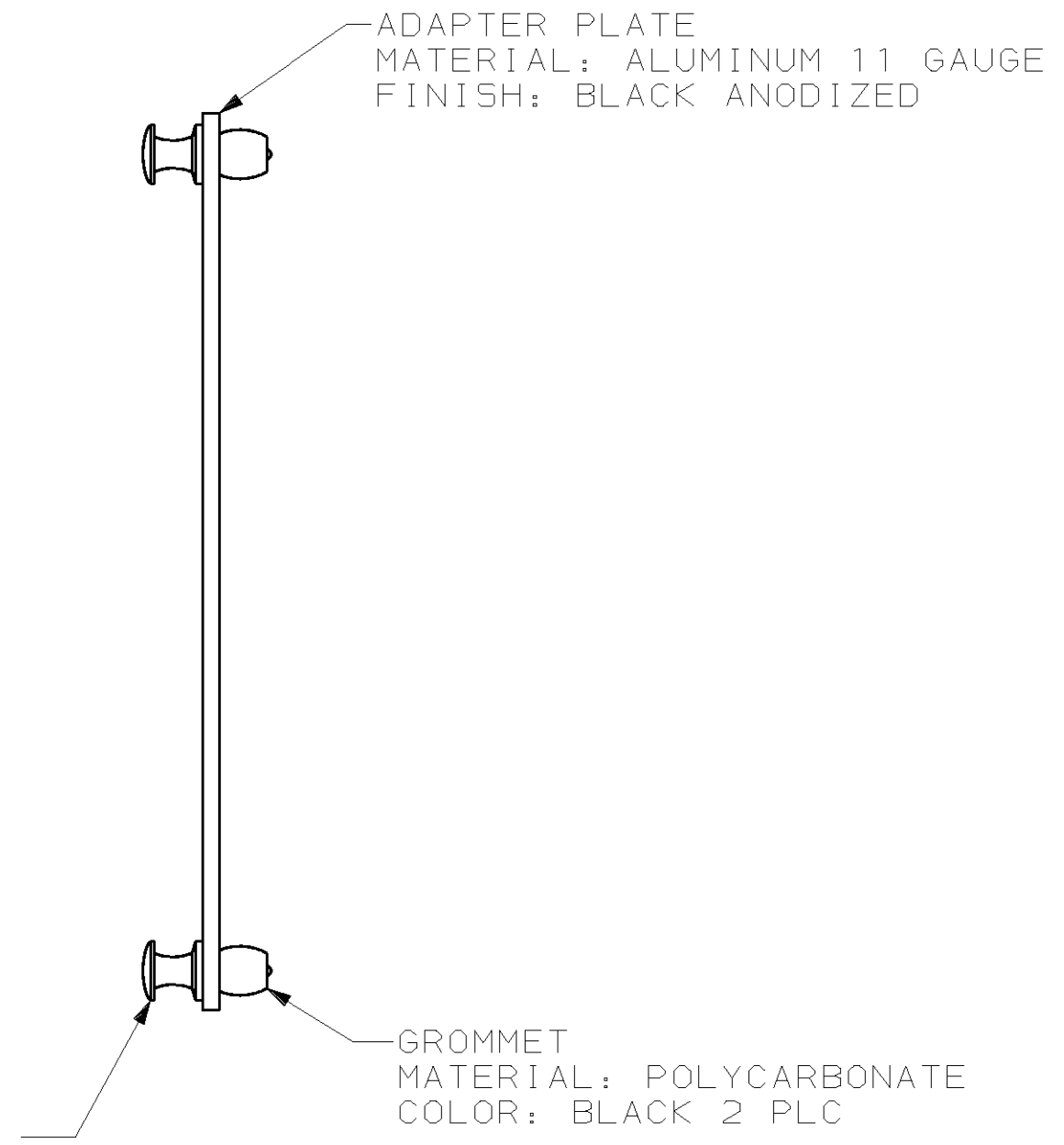
1

THIS DRAWING IS UNPUBLISHED. RELEASED FOR PUBLICATION ,19 .
 © COPYRIGHT 19 BY AMP INCORPORATED. ALL RIGHTS RESERVED.

LOC		DIST		REVISIONS			
P	LTR	DESCRIPTION		DATE	DWN	APVD	
CE	16	A		REV PER 0A00-0485-00	20JUN00	WS	DM



PLUNGER
 MATERIAL: NYLON
 COLOR: BLACK 2 PLC



559523-1
 PART NO.

THIS DRAWING IS A CONTROLLED DOCUMENT.		DWN R R SCHAFFER 11-12-96	AMP AMP Incorporated Harrisburg, PA 17105-3608
DIMENSIONS: mm [in]		CHK J C HOFFER 11-12-96	
TOLERANCES UNLESS OTHERWISE SPECIFIED:		APVD M FASNACHT 11-12-96	NAME ADAPTER PLATE ASSEMBLY, SNAP-IN, BLANK
0 PLC ±-		PRODUCT SPEC	SIZE A3
1 PLC ±-		APPLICATION SPEC	CAGE CODE 00779
2 PLC ±0.5 [0.02]		WEIGHT	DRAWING NO C-559523
3 PLC ±-		CUSTOMER DRAWING	SCALE 1:1
4 PLC ±-			SHEET 1 OF 1
ANGLES ±-			REV A
MATERIAL -			
FINISH -			