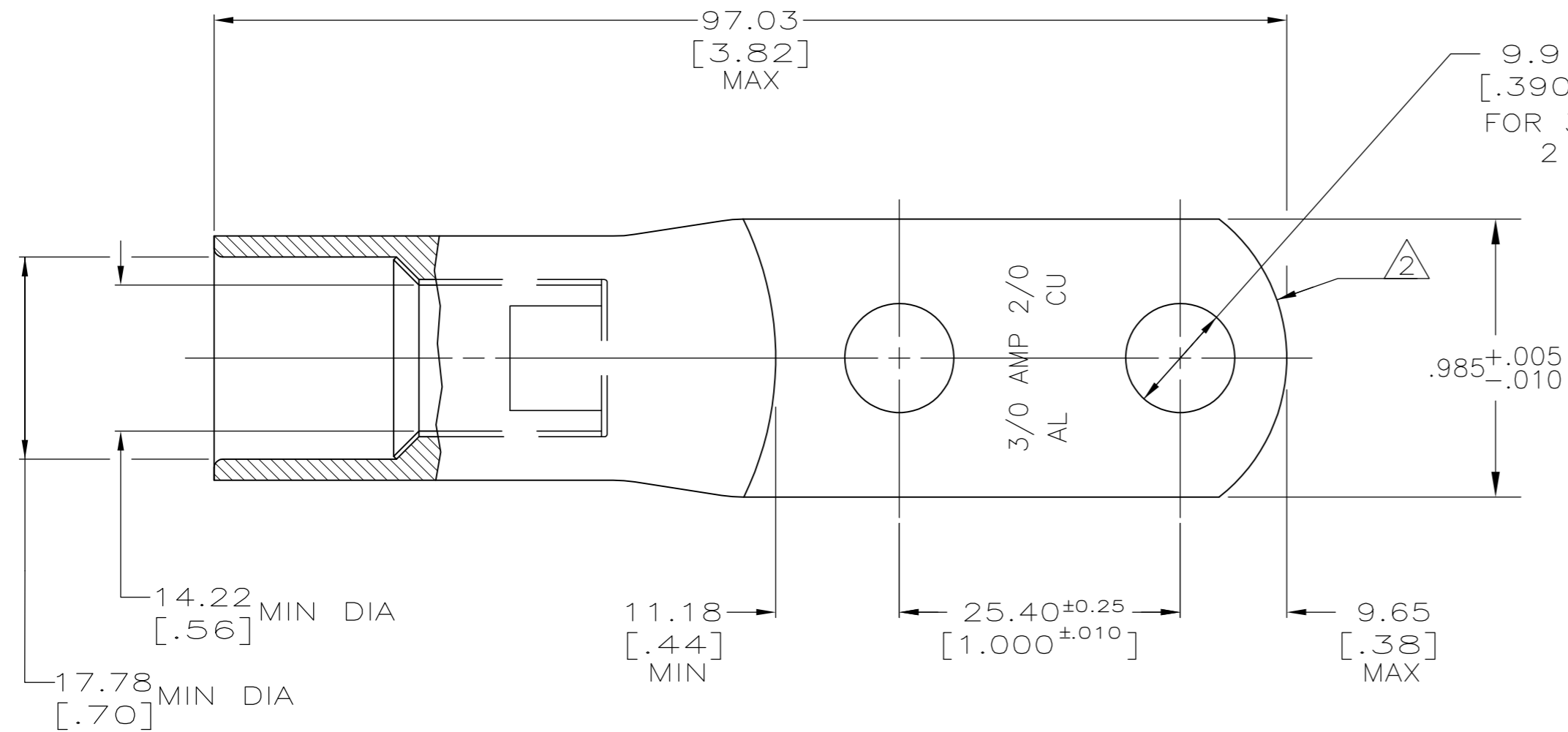
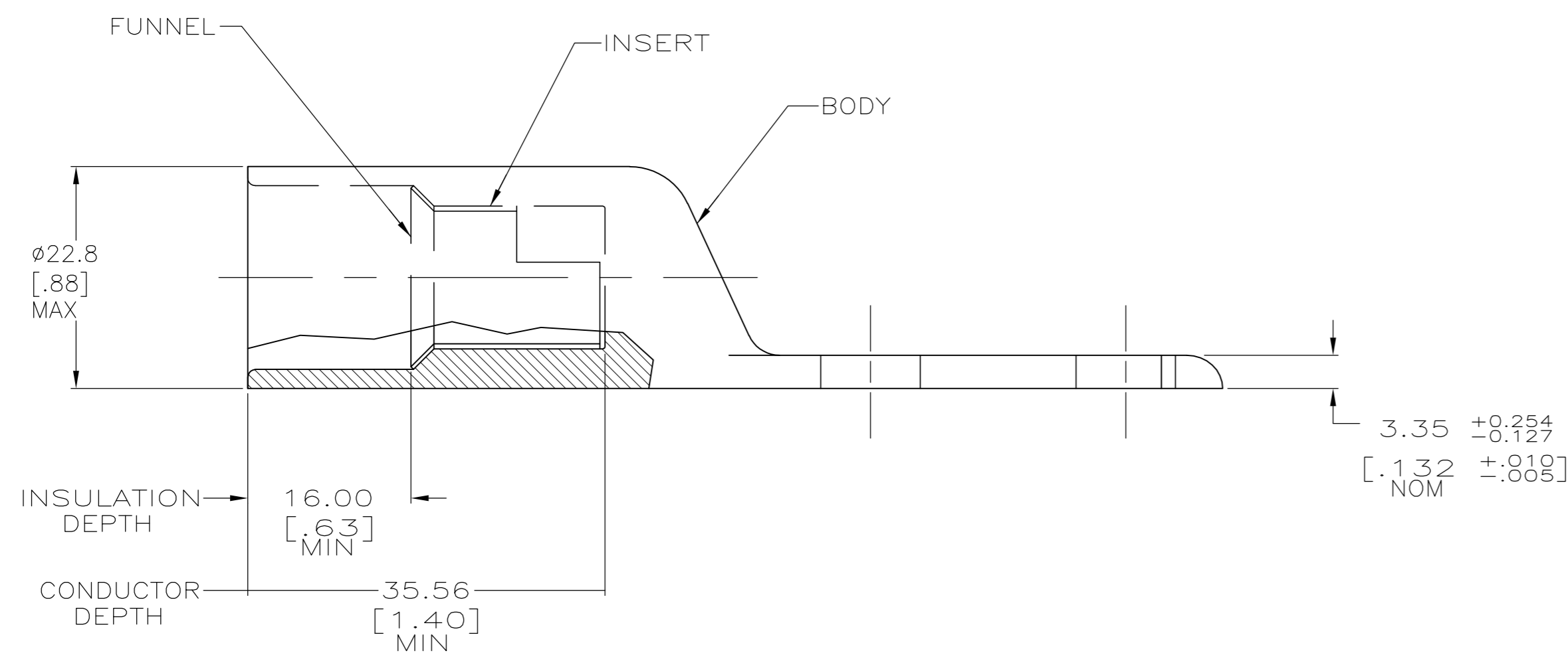


THIS DRAWING IS UNPUBLISHED. RELEASED FOR PUBLICATION
 © COPYRIGHT - By - ALL RIGHTS RESERVED.

REVISIONS				
P	LTR	DESCRIPTION	DATE	APVD
J		REVISED PER ECO-16-004413	06APR16	KG PD



1 WIRE INSULATION: 13.21[.520] - 16.38[.645] DIA
 △ THE TONGUE RADIUS FEATURE IS NOT A TOOLING CONTROLLED DIMENSION AND MAY NOT BE A TRUE RADIUS.



BODY: COPPER ASTM-B187 ANNEALED TIN PL MIL-T-10727 0.00457[.000150] MIN THK	55840-1
INSERT & FUNNEL: BRASS PER ASTM B36 NICKEL PLATE SAE AMS QQ-N-290A, DATED JULY 2000, 0.00254 [.000100] MIN THK	
MATERIAL AND FINISH	PART NO.

THIS DRAWING IS A CONTROLLED DOCUMENT.		DWN DK SCHRUM 6/15/92	STE TE Connectivity	
DIMENSIONS: INCHES		CHK WJ VOCKROTH 6/16/92		
TOLERANCES UNLESS OTHERWISE SPECIFIED:		APVD AJ KAUFMAN 6/16/92	NAME	
0 PLC ± -		PRODUCT SPEC	WIRE TERMINAL, COPALUM	
1 PLC ± -		108-11011	SEALED, RING TONGUE,	
2 PLC ± -		APPLICATION SPEC	WIRE SIZE 3/0 AL, 2/0 COPPER	
3 PLC ± -		114-2134	SIZE	CAGE CODE
4 PLC ± -		WEIGHT 0.000000	A2	00779
ANGLES ± -		CUSTOMER DRAWING	DRAWING NO	RESTRICTED TO
FINISH SEE TABLE		SCALE 2:1	SHEET 1 of 1	REV J