

4

3

2

1

THIS DRAWING IS UNPUBLISHED.

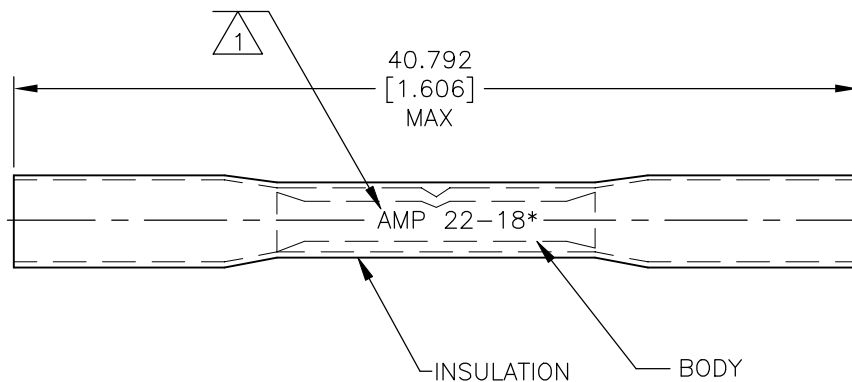
RELEASED FOR PUBLICATION

ALL RIGHTS RESERVED.

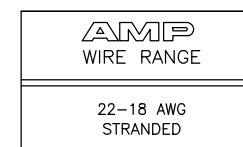
© COPYRIGHT - TE Connectivity Ltd.

## REVISIONS

P	LTR	DESCRIPTION	DATE	DWN	APVD
E1		REVISED PER ECO-10-025937	21DEC10	HMR	DR
E2		REVISED PER ECO-17-016703	06APR2018	RS	DR



- 1 STAMP AMP 22-18\* APPROX AS SHOWN  
 2 WIRE INSULATION  $\phi$ 4.318[ $\phi$ .170] MAX.  
 3 NOTE DELETED



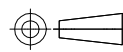
50	LOOSE PIECE	8-55824-2
1000	LOOSE PIECE	55824-1
QTY	PACKAGE TYPE	PART NO

AMP INCORPORATED  
CUSTOMER SERVICE SYSTEMSMAX RECOMMENDED OPERATING  
TEMPERATURE:

125° C [257°F] MAX

VOLTAGE RATING:  
600V MAX (BUILDING WIRING)  
1000V MAX (FIXTURES & SIGNS)CIRCULAR MIL AREA:  
0.26-0.96mm<sup>2</sup> [509-1900]  
STRANDED

THIS DRAWING IS A CONTROLLED DOCUMENT.

DIMENSIONS:  
mm [INCHES]MATERIAL  
BODY: ETP COPPER  
INSULATION: POLYOLEFINTOLERANCES UNLESS  
OTHERWISE SPECIFIED:

0	PLC	± -
1	PLC	± -
2	PLC	± -
3	PLC	± 0.127[.005]
4	PLC	± -
ANGLES		± -

FINISH  
BODY: EDP TIN PLATED  
INSULATION: COLOR-RED

DWN 6/93

S S GOULDEN

CHK 6/93

R HERSEY

APVD 6/93

PRODUCT SPEC

B BARE

APPLICATION SPEC

408-4022

WEIGHT

CUSTOMER DRAWING

6/93



TE Connectivity Ltd.

NAME  
SPLICE, SEALABLE  
HEAT SHRINKABLE  
22-18 AWGSIZE  
A3CAGE CODE  
00779DRAWING NO  
C-55824RESTRICTED TO  
-FOR ORDER ENTRY  
1-800-526-5142THIS DRAWING IS A CONTROLLED DOCUMENT FOR  
AMP INCORPORATED. IT IS SUBJECT TO CHANGE  
AND THE CONTROLLING ENGINEERING ORGANIZATION  
SHOULD BE CONTACTED FOR THE LATEST REVISION.

SCALE NTS SHEET 1 OF 1 REV E2