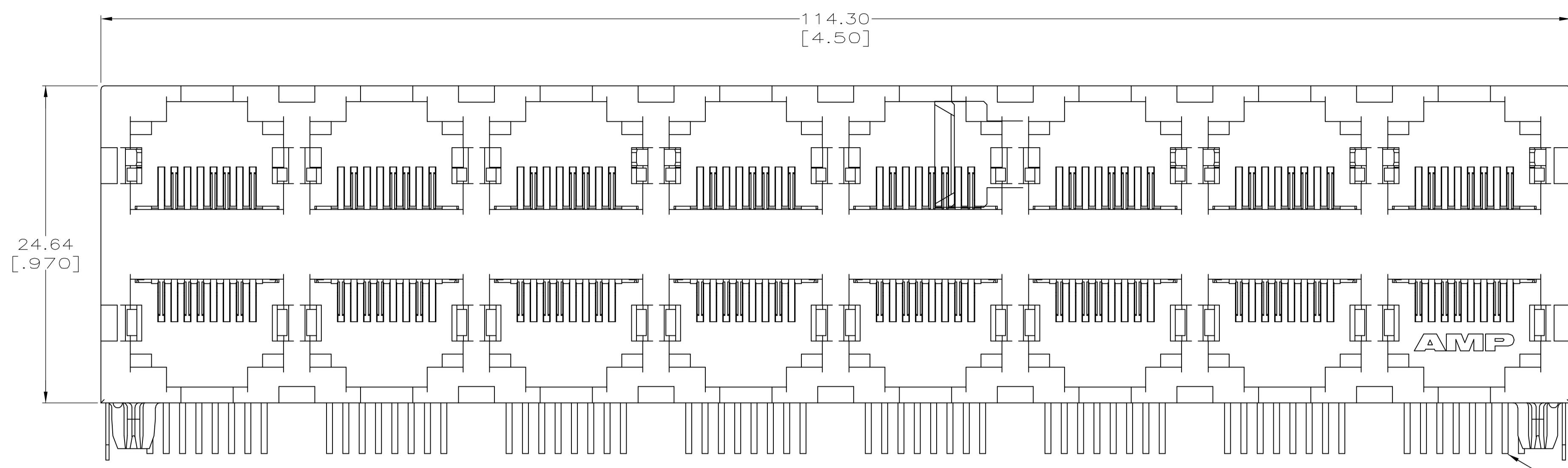
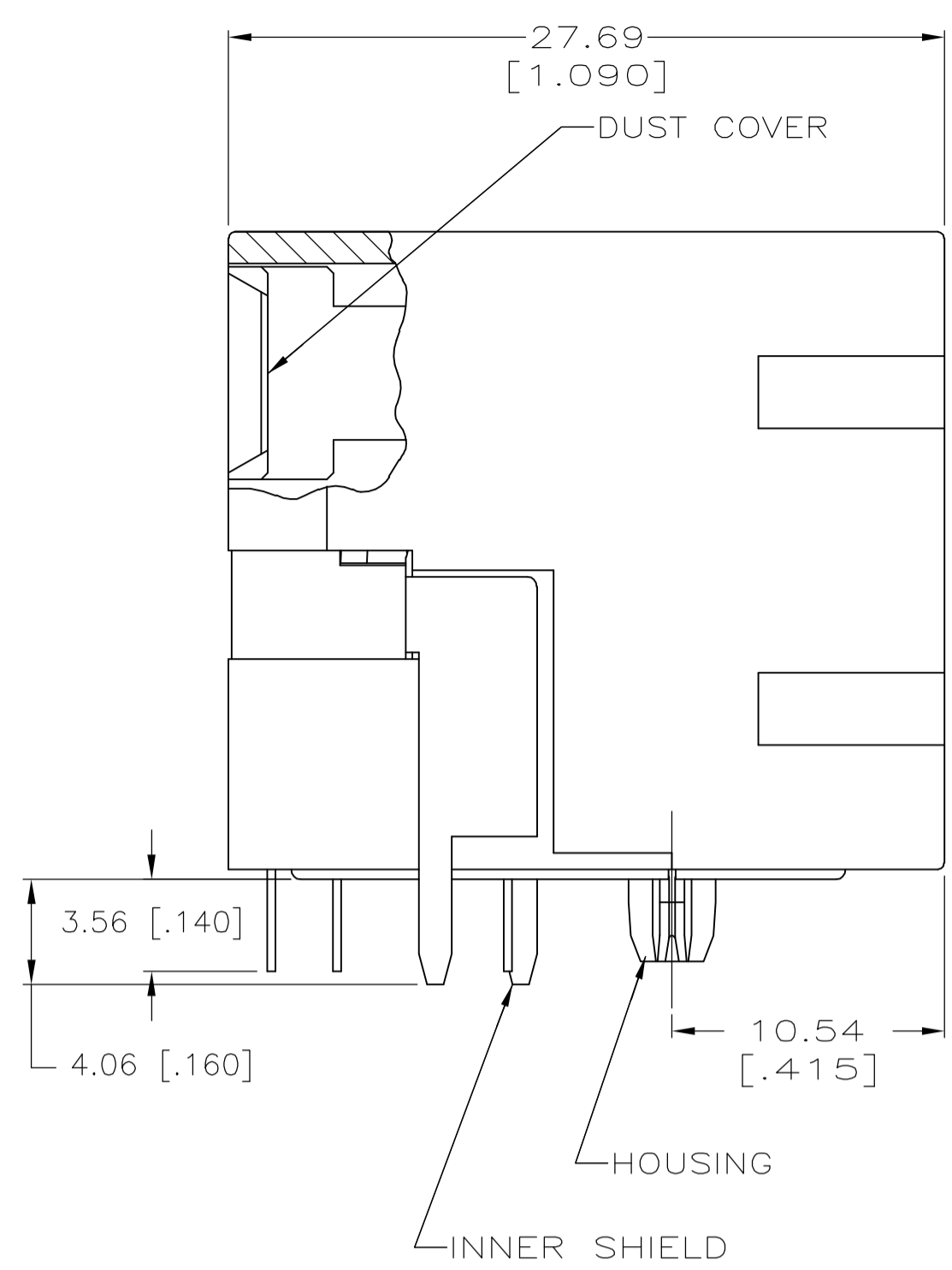


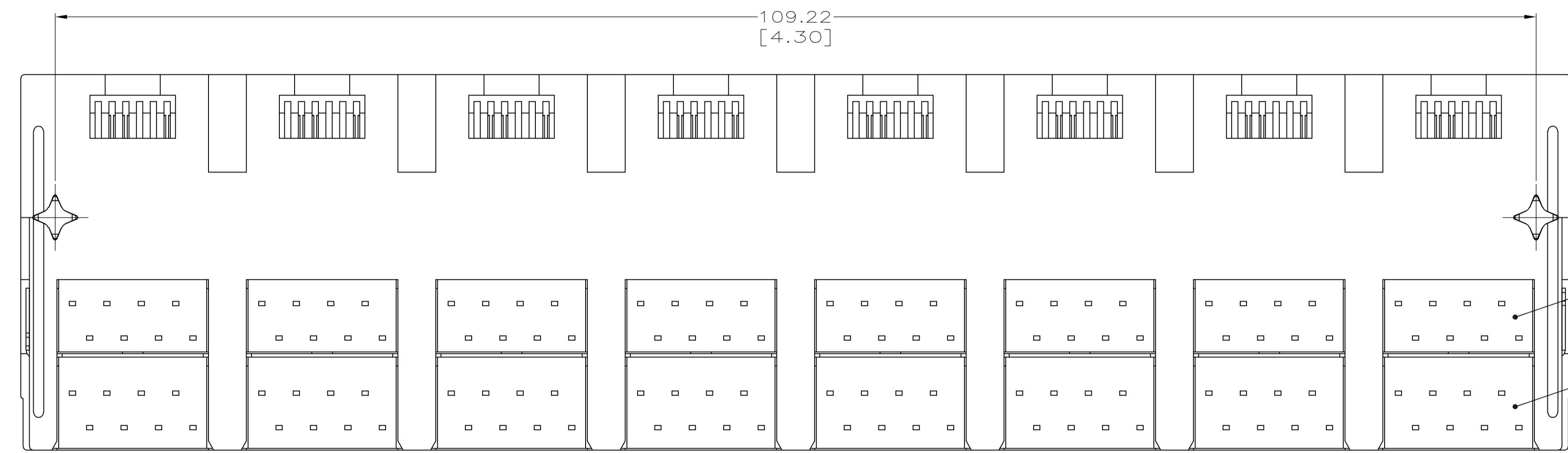
LOC		DIST		REVISIONS			
AA	22	F	L/R	DESCRIPTION	DATE	DWN	APVD
B	REV PER	ECO-07-004617			14MAR07	TK	JW



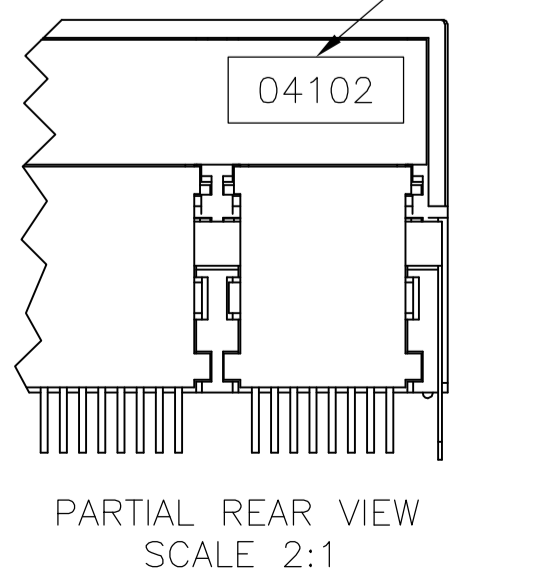
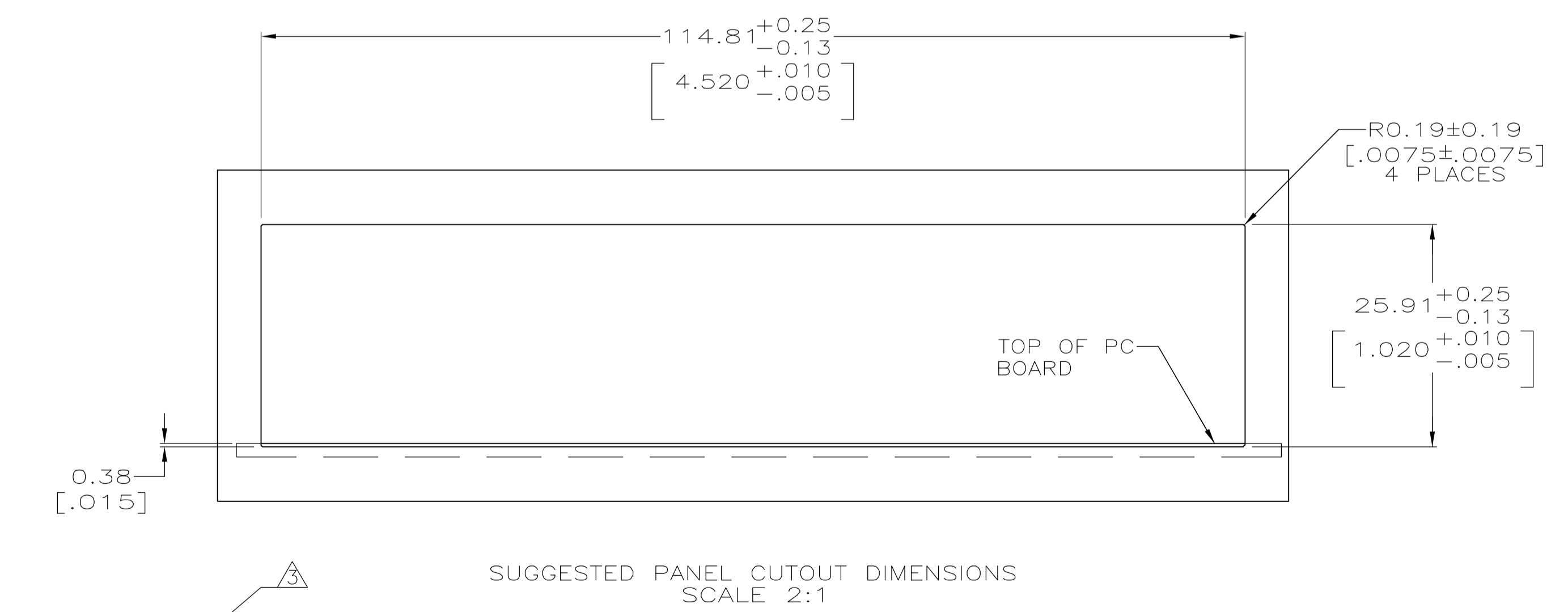
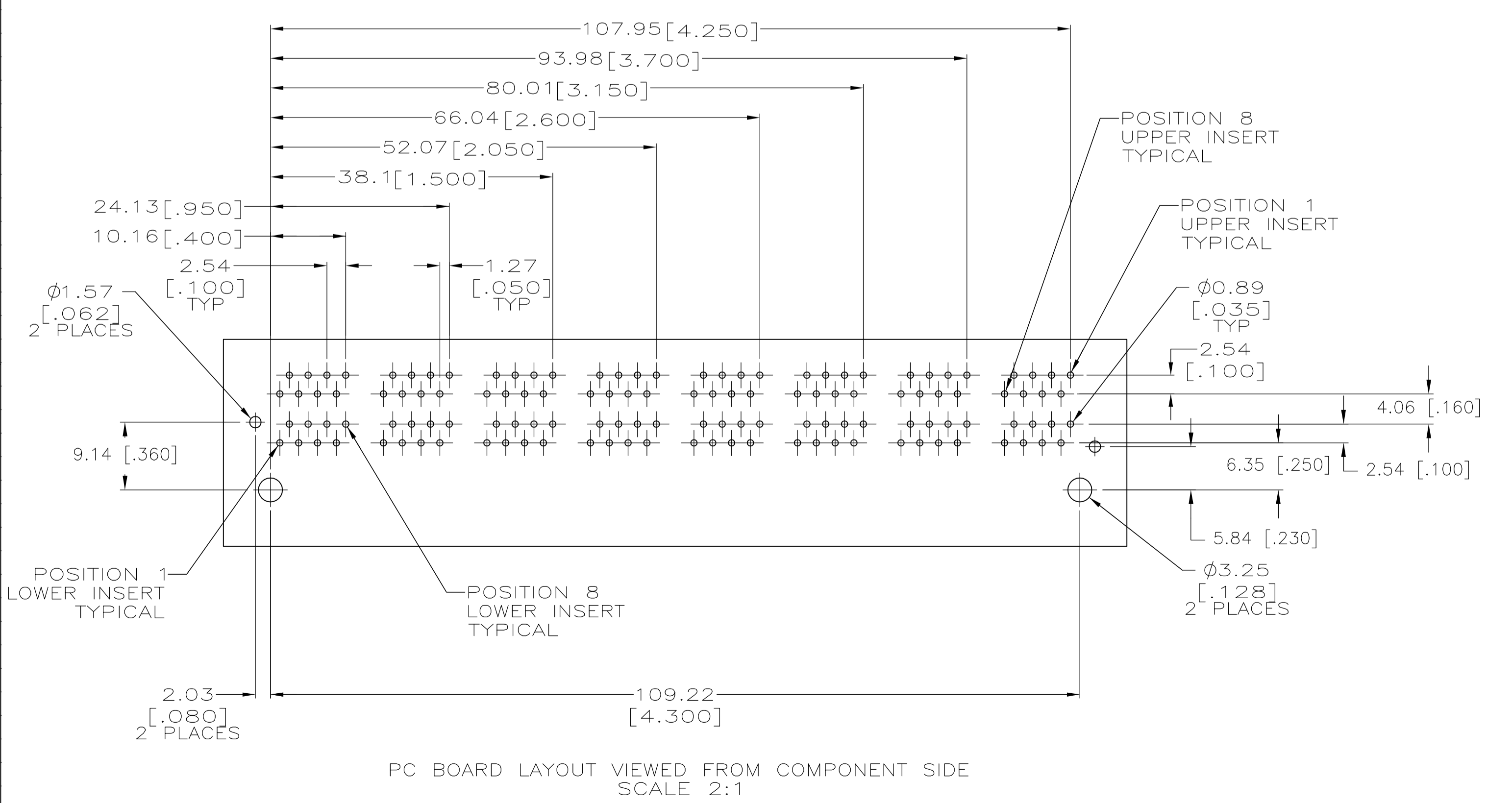
MATERIAL:
 HOUSING - PCT POLYESTER, BLACK, UL94V-0.
 OVERMOLDED TERMINAL ARRAY - PBT, BROWN.
 TERMINALS - 0.33 [.013] THICK PHOS BRONZE PLATED WITH 1.27µm [.000050] MIN THICK HARD GOLD IN LOCALIZED AREA AND 3.81µm [.000150] MIN THICK MATTE TIN IN SOLDER AREA OVER 1.27µm [.000050] MIN THICK NICKEL UNDERPLATE.
 SHIELD - 0.25 [.010] THICK COPPER ALLOY PLATED WITH 2.03µm [.000080] MIN BRIGHT TIN OVER 1.27 µm [.000050] MIN NICKEL

JACK CAVITY CONFORMS TO FCC RULES AND REGULATIONS, PART 68 SUBPART F.

DATE CODE LOCATED ON REAR OF PART APPROXIMATELY AS SHOWN:
 FIRST 2 DIGITS ARE LAST 2 DIGITS OF YEAR, SECOND 2 DIGITS ARE MANUFACTURING WORK WEEK, LAST DIGIT IS DAY OF WEEK, WITH SUNDAY = 1.



LOWER INSERT QUANTITY 8
 UPPER INSERT QUANTITY 8



5569254-1
 PART NUMBER

THIS DRAWING IS A CONTROLLED DOCUMENT.		DWN T. SPRINKLE/L.A. MAYER 25MAY2005	Tyco Electronics Corporation Harrisburg, Pa 17105-3608
DIMENSIONS: mm [INCHES]		CHK J. WESTMAN 25MAY2005	
TOLERANCES UNLESS OTHERWISE SPECIFIED:		APVD S. FLICKINGER 25MAY2005	NAME STACKED MODULAR JACK ASSEMBLY, 2 X 8 PORT, 8 POSITION, UNSHIELDED, CATEGORY 5
0 PLC ± -	1 PLC ± -	PRODUCT SPEC 108-1163-2	SIZE A1
2 PLC ± 0.25(.01)	3 PLC ± 0.13(.005)	APPLICATION SPEC 114-2048	DATE CODE 00779
4 PLC ± -	ANGLES ± -	RESTRICTED TO	DRAWING NO 5569254
MATERIAL SEE NOTE 1	FINISH SEE NOTE 1	WEIGHT -	SCALE 4:1
CUSTOMER DRAWING		SHEET 1 of 1	REV B