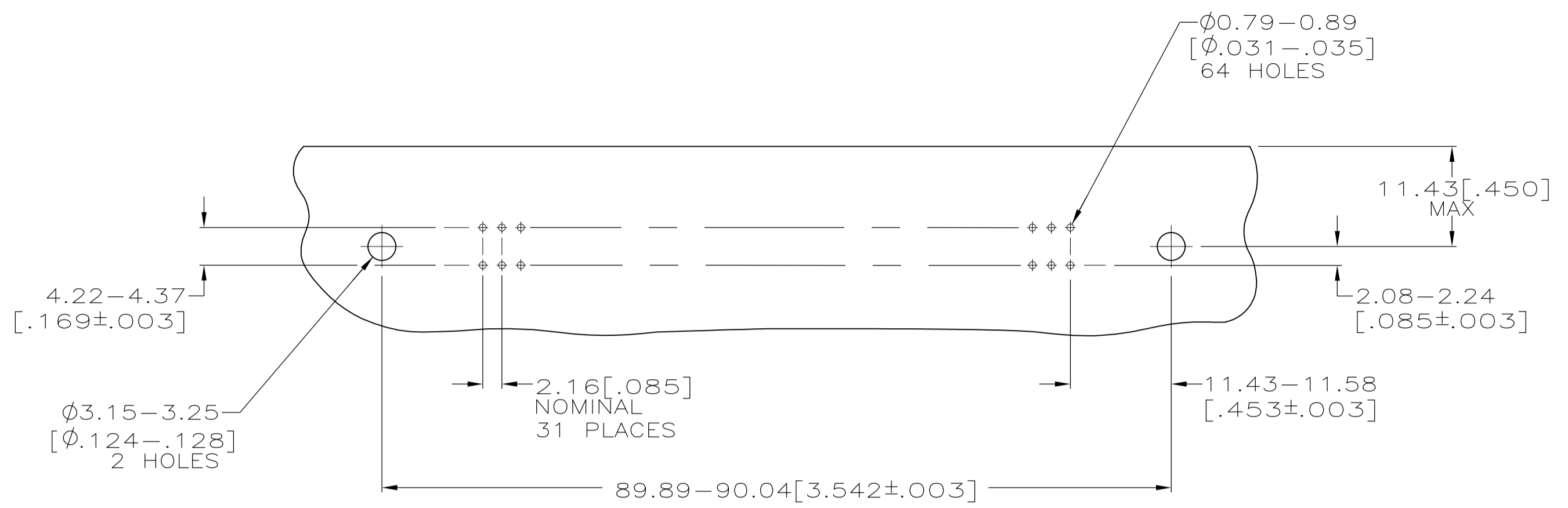
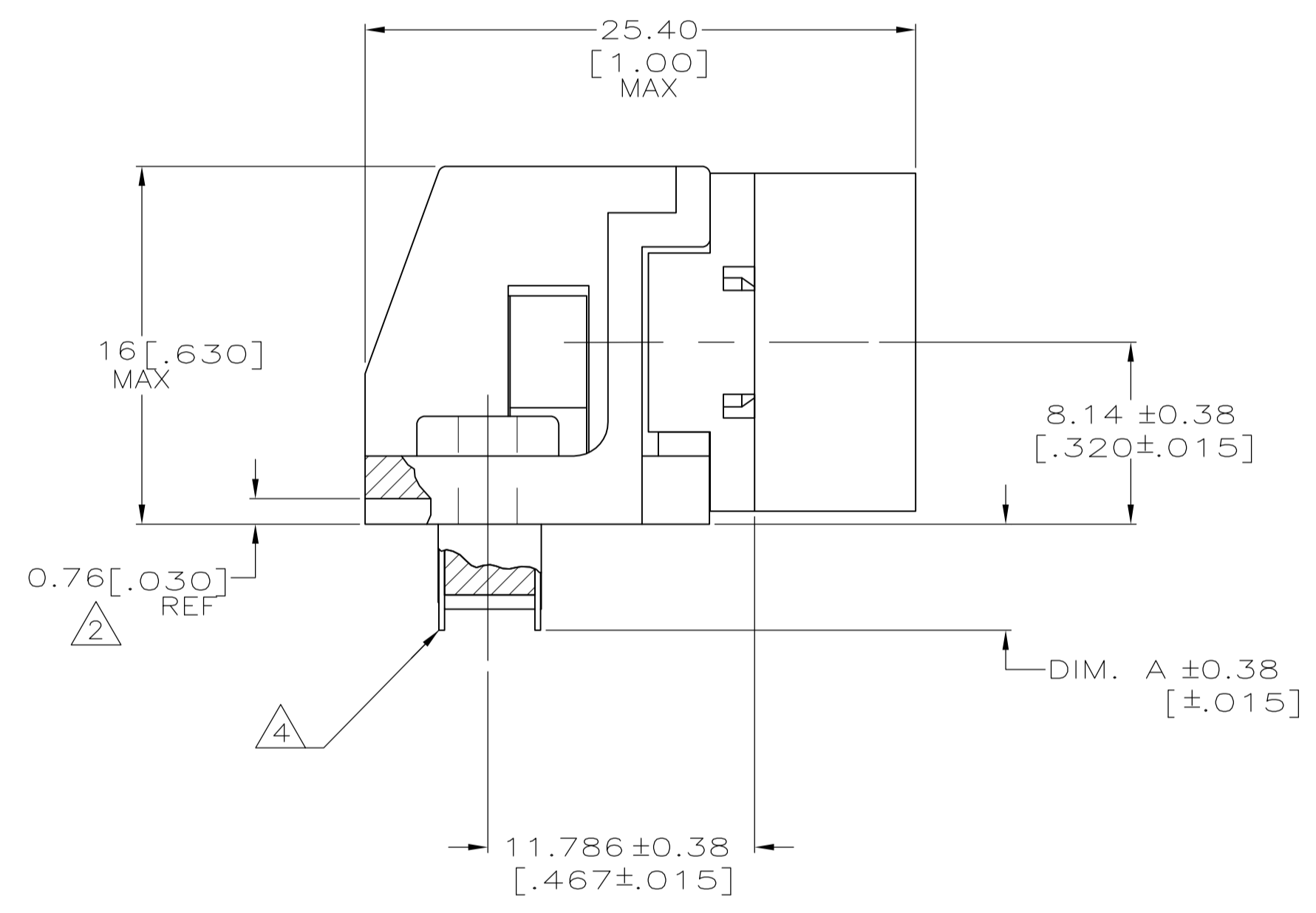
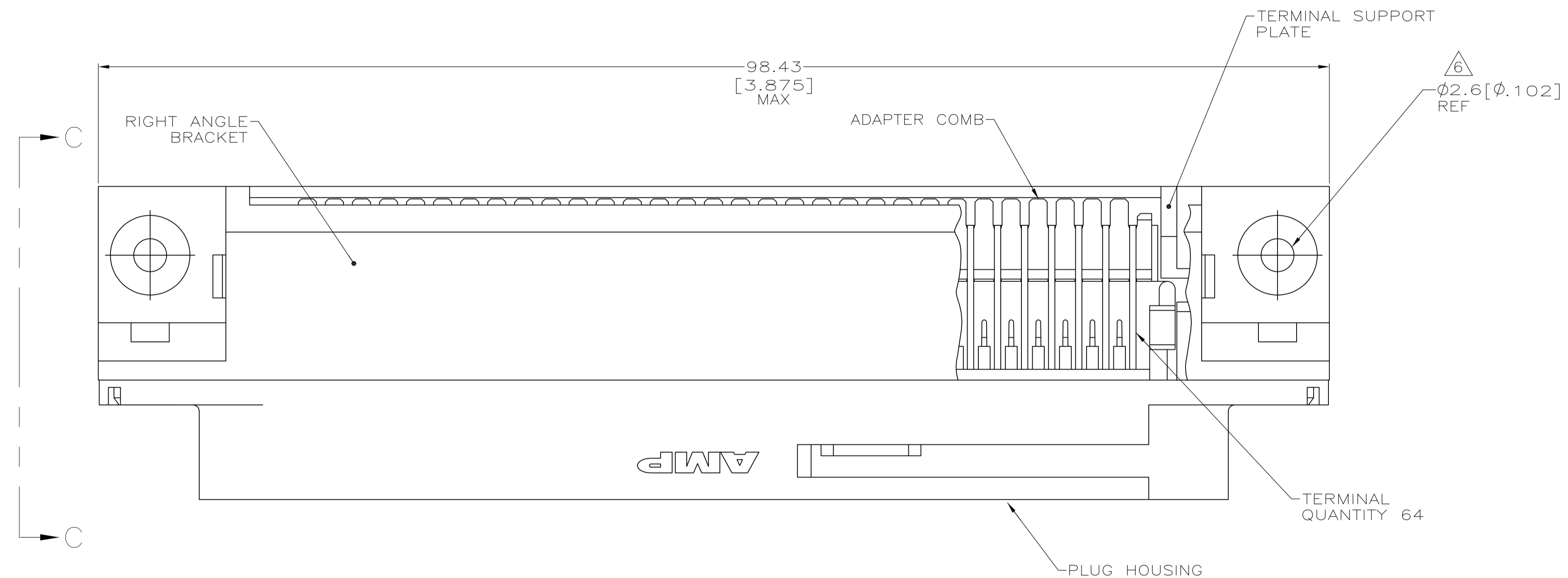


LOC		DIST		REVISIONS			
P	LTR	DESCRIPTION	DATE	DMN	APVD		
B		REVISED PER ECO-08-007327		OBAPROB	BM	WM	

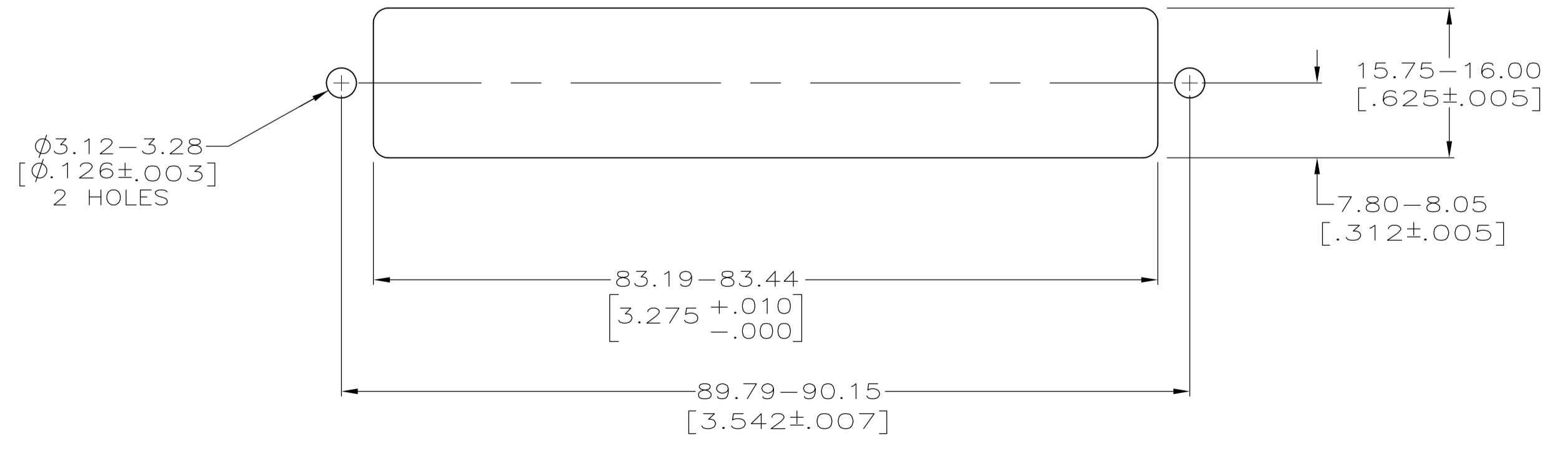


SUGGESTED PRINTED CIRCUIT BOARD MOUNTING DIMENSIONS SCALE 2:1

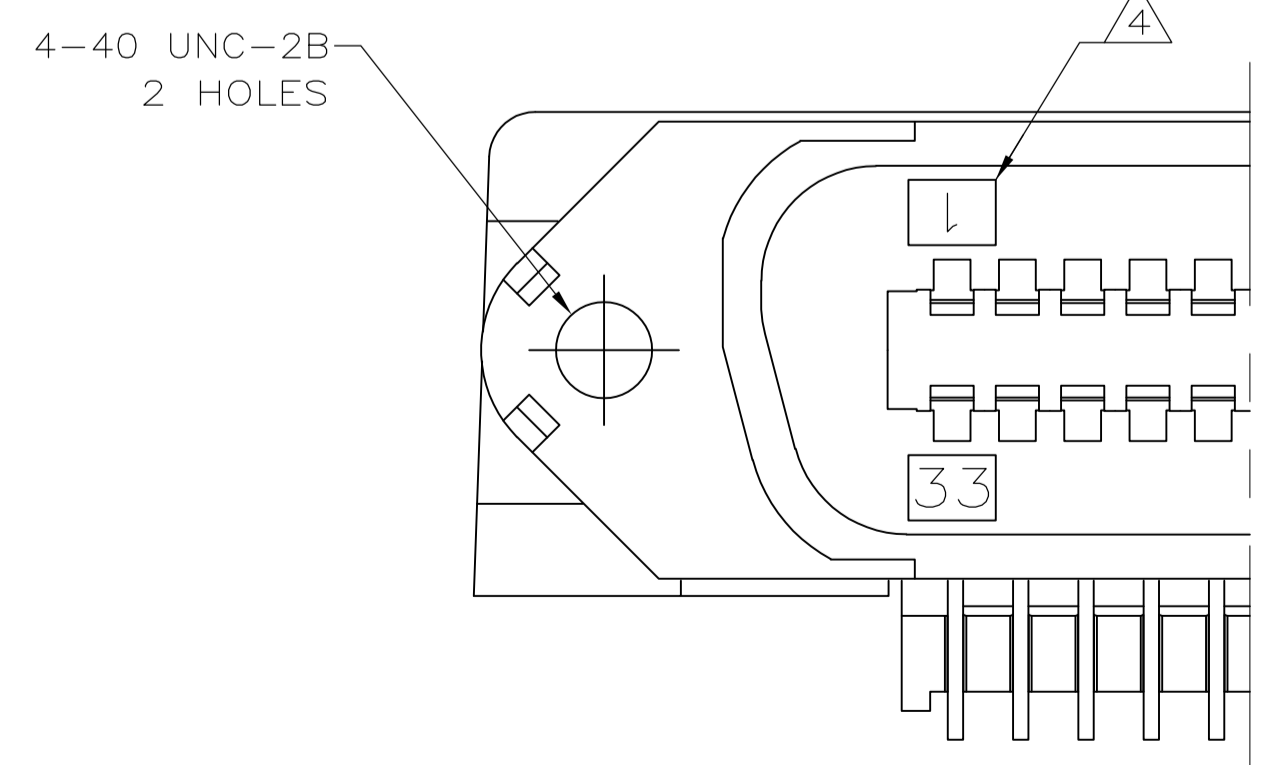
- 1 MATERIAL: HOUSING, BRACKET, PLATE AND COMB - THERMOPLASTIC, BLACK, 94V-0 RATED. TERMINALS - HIGH STRENGTH COPPER ALLOY PLATED WITH EITHER 0.76 $\mu$ m [.000030] MIN GOLD PLATE OR GOLD FLASH OVER PALLADIUM NICKEL PLATE, 0.76 $\mu$ m [.000030] MIN TOTAL ON MATING SURFACE. 3.05 $\mu$ m [.000120] MIN TIN PLATE ON TAILS. ALL OVER 1.27 $\mu$ m [.000050] MIN NICKEL UNDERPLATE OVER ENTIRE TERMINAL.
- 2 TERMINAL SUPPORT PLATE CLEARANCE FOR TERMINAL STRAIN RELIEF AND FLUX REMOVAL.
- 3 MAXIMUM PANEL THICKNESS: 1.57 [.062].
- 4 TERMINAL 1 IS LOCATED IN THIS ROW FOR STANDARD ORIENTATION, 5552745-1 AND -5.
- 5 DETAIL "A" IS VIEWED FROM MATING SIDE OF PLUG ASSEMBLY.
- 6 FOR USE WITH A NO.4 BT TYPE SELF-TAPPING SCREW.
- 7. IF TERMINALS DO NOT EXTEND BELOW COMB, THEN COMB SHOULD BE PARTIALLY RETRACTED BEFORE INSERTING CONNECTOR INTO PRINTED CIRCUIT BOARD.



VIEW C-C ROTATED 90° CCW



SUGGESTED REAR PANEL MOUNTING CUTOUT DIMENSIONS SCALE 2:1



DETAIL A STANDARD ORIENTATION

2.54 [.100]	SELF-TAPPING	SEE DETAIL A	5552745-5
4.75 [.187]	SELF-TAPPING	SEE DETAIL A	5552745-1
DIM. A	TYPE OF MOUNTING	DESCRIPTION	PART NUMBER

THIS DRAWING IS A CONTROLLED DOCUMENT.		DIN B MCMASTER 16AUG05		Tyco Electronics Corporation Harrisburg, PA 17105-3608	
DIMENSIONS: mm [INCHES]		TOLERANCES UNLESS OTHERWISE SPECIFIED:		NAME: PLUG ASSEMBLY, 64 POSITION, RIGHT ANGLE, SELF-TAPPING, CHAMP-LOK®	
0 PLC	± -	1 PLC	± -	APVD	W. WALSLEY 16AUG05
1 PLC	± -	2 PLC	± -	PRODUCT SPEC	
2 PLC	± -	3 PLC	± 0.13 [.005]	APPLICATION SPEC	
3 PLC	± -	4 PLC	± -	SIZE	A1
4 PLC	± -	ANGLES	± -	WEIGHT	00779
MATERIAL	1	FINISH	1	SIZE	00779
CUSTOMER DRAWING		SCALE 4:1		SHEET 1 OF 1 REV B	