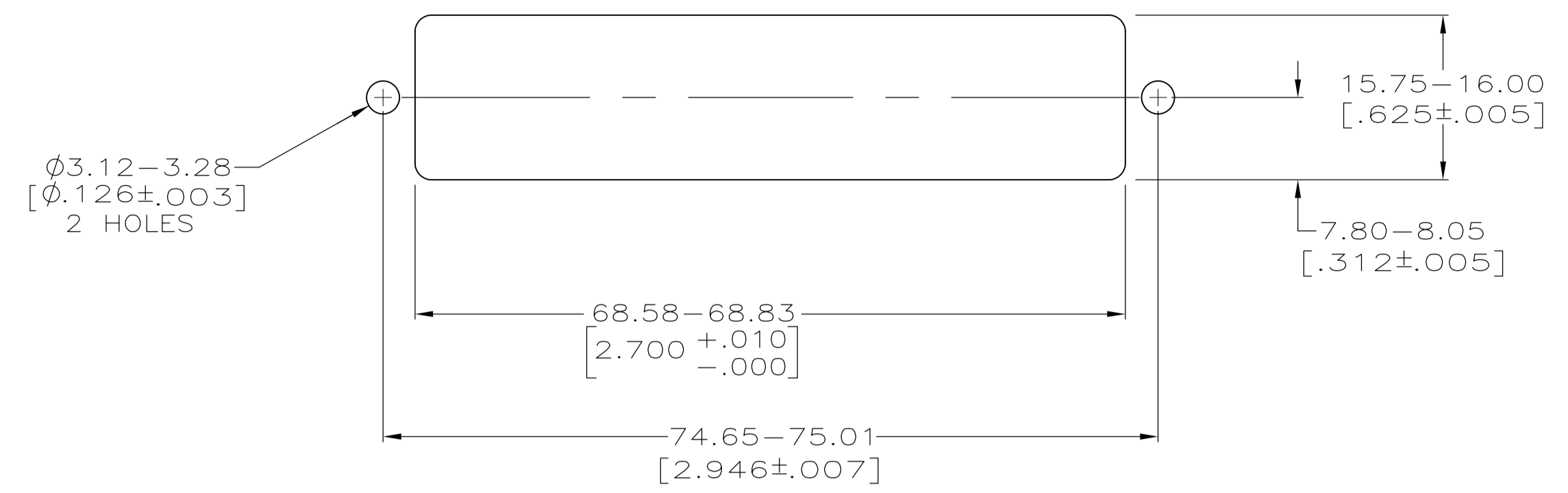
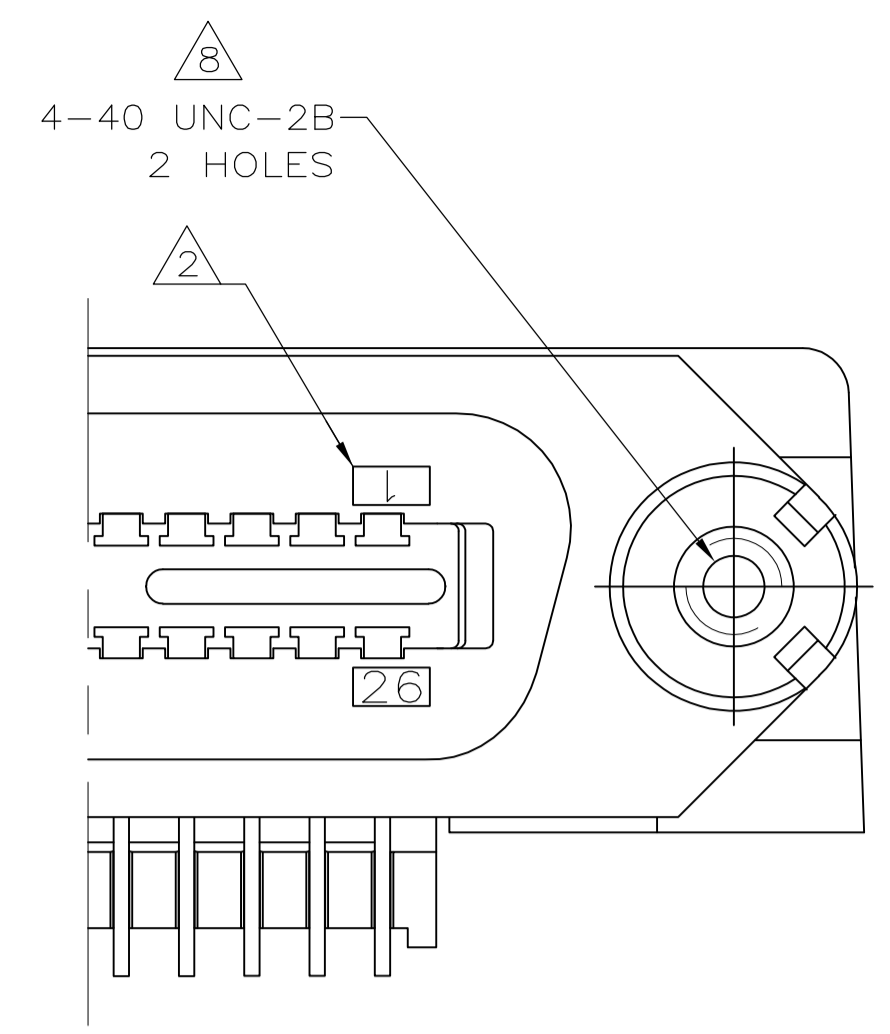


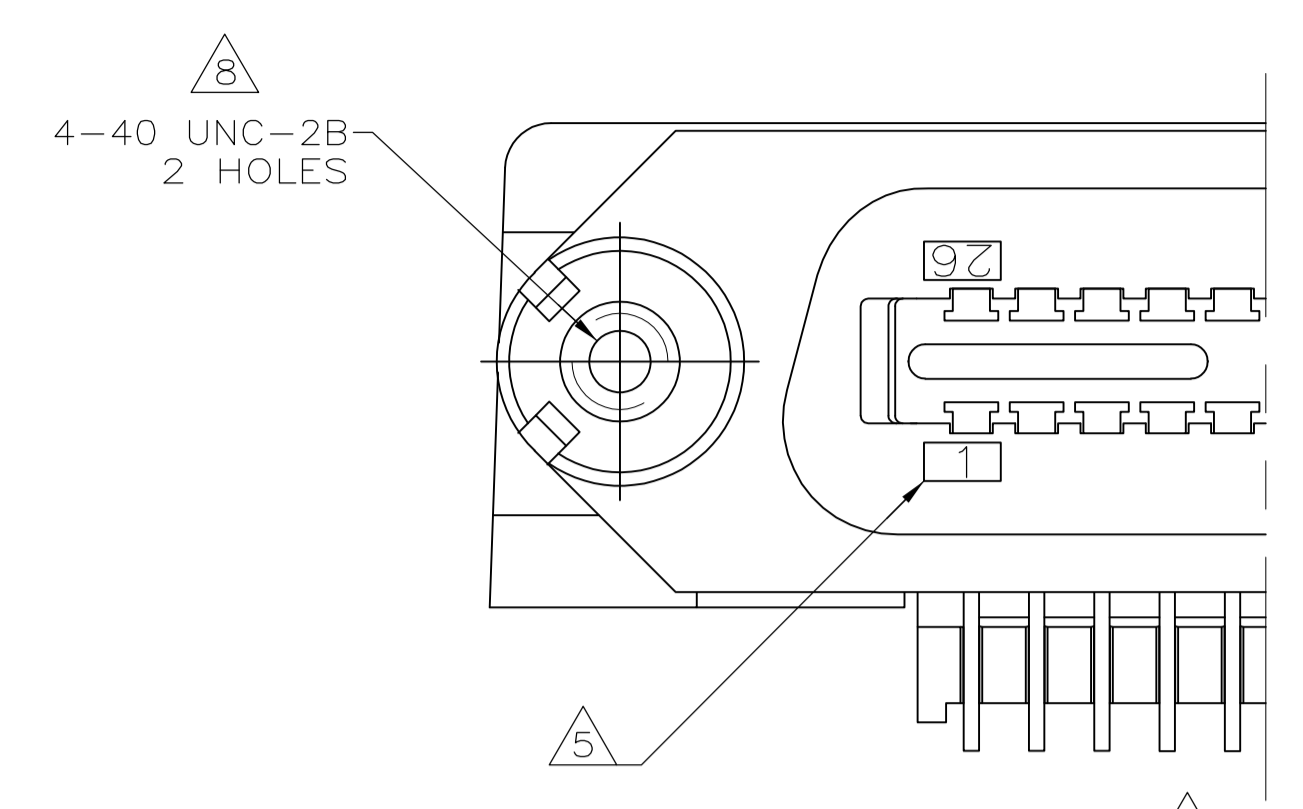
| LOC | DIST                      | REVISIONS |             |         |    |      |
|-----|---------------------------|-----------|-------------|---------|----|------|
| GP  | 00                        | REV       | DESCRIPTION | DATE    | BY | APPV |
| E1  | REVISED PER ECO-11-005033 |           |             | 23MAR11 | RK | HMR  |



SUGGESTED REAR PANEL MOUNTING CUTOUT DIMENSIONS SCALE 2:1

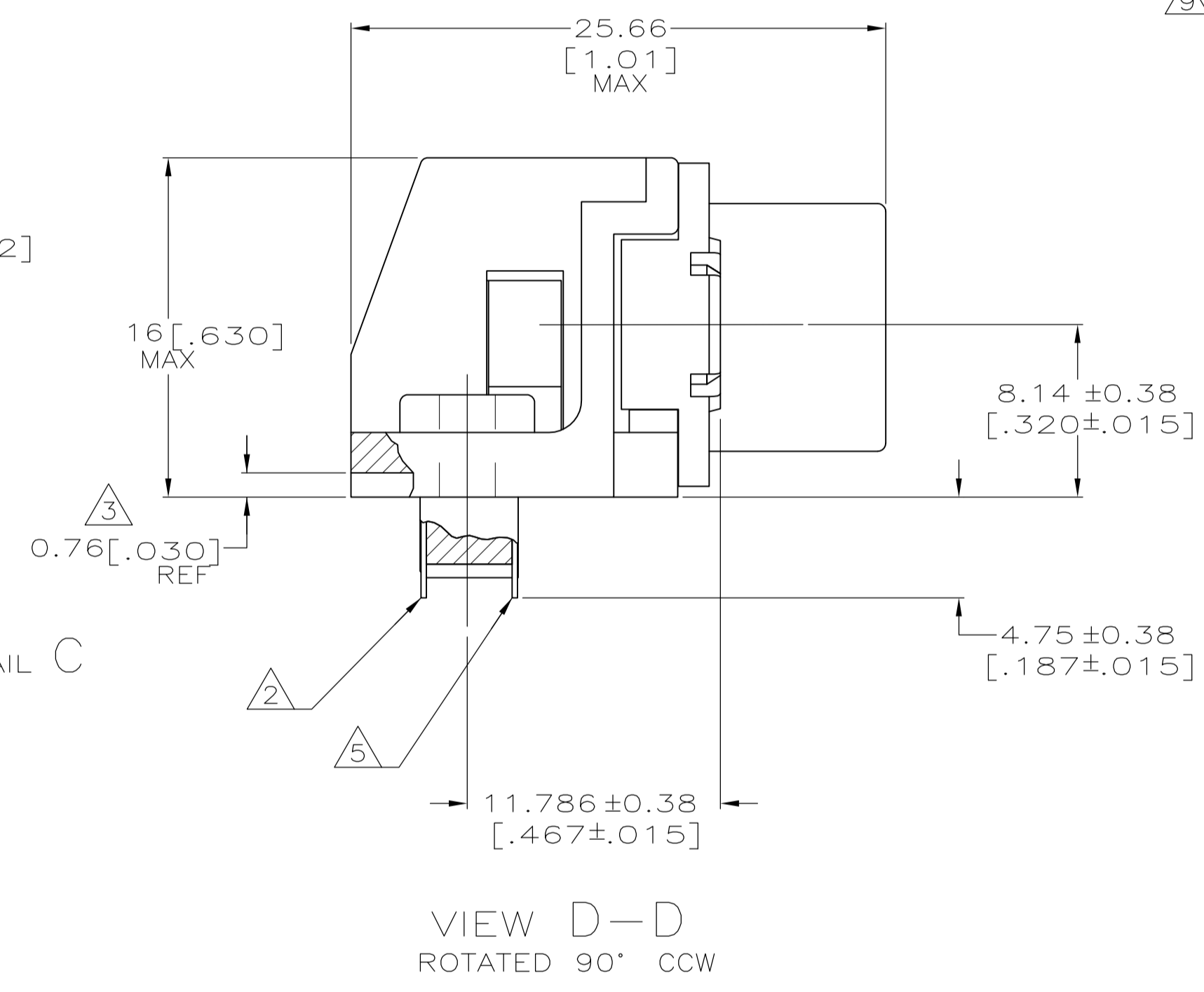
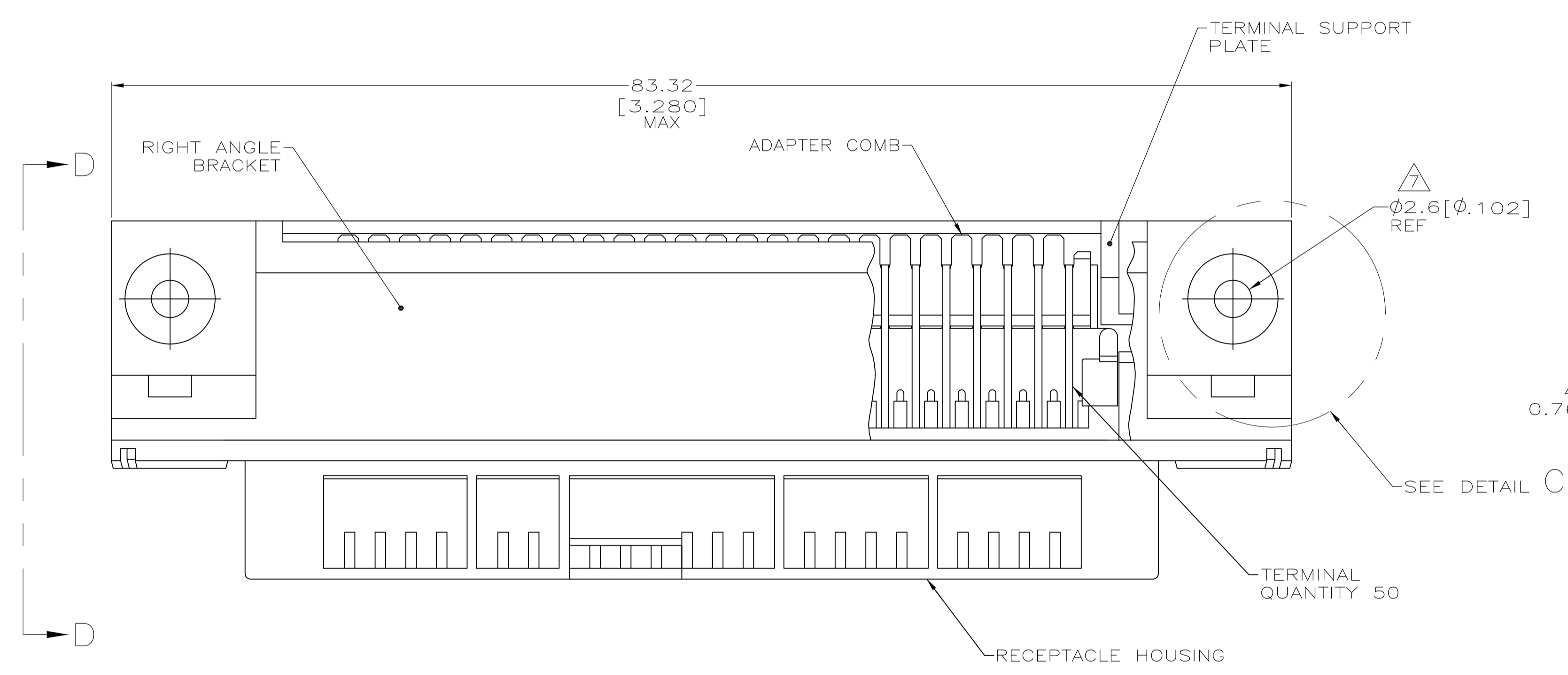


DETAIL A STANDARD ORIENTATION

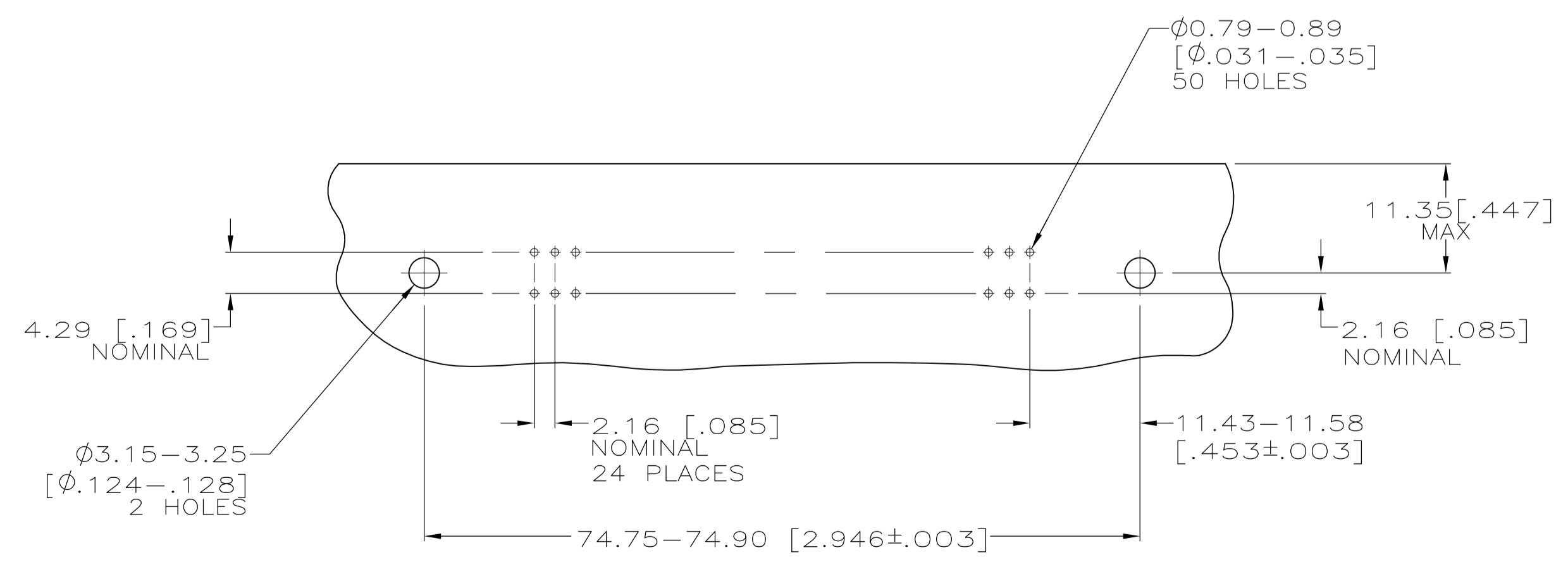


DETAIL B REVERSE ORIENTATION

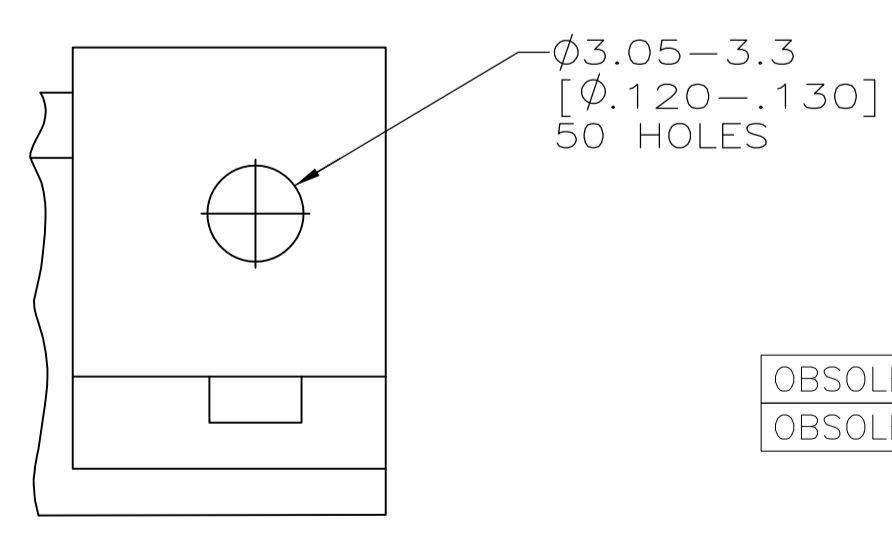
- △ MATERIAL: HOUSING, BRACKET, PLATE & COMB - THERMOPLASTIC, BLACK, 94V-0 RATED. TERMINALS- HIGH STRENGTH COPPER ALLOY PLATED WITH EITHER 0.76μm [.000030] MIN GOLD PLATE OR GOLD FLASH OVER PALLADIUM NICKEL PLATE, 0.76μm [.000030] MIN TOTAL ON MATING SURFACE. 3.05μm [.000120] MIN TIN ON TAILS. ALL OVER 1.27μm [.000050] MIN NICKEL UNDERPLATE OVER ENTIRE TERMINAL. THREADED INSERT- #4-40 UNC, BRIGHT ZINC PLATED BRASS.
- △ TERMINAL 1 IS LOCATED IN THIS ROW FOR STANDARD ORIENTATION, 5552725-1, -2, -5 & -7.
- △ TERMINAL SUPPORT PLATE CLEARANCE FOR TERMINAL STRAIN RELIEF AND FLUX REMOVAL.
- △ MAXIMUM PANEL THICKNESS: 1.57[.062].
- △ TERMINAL 1 IS LOCATED IN THIS ROW FOR REVERSE ORIENTATION, 5552725-3 AND -6 ONLY.
- △ DETAILS "A" AND "B" ARE VIEWED FROM MATING SIDE OF RECEPTACLE ASSEMBLY.
- △ FOR USE WITH A NO.4 BT TYPE SELF-TAPPING SCREW.
- △ 5552725-1,-2 AND -3 ARE TAPPED 4-40; -5,-6 & -7 USE 4-40 THREADED INSERTS.
- △ INSERT SHALL WITHSTAND 8 INCH-POUNDS OF TORQUE WITHOUT CRACKING HOUSING OR LOOSENING.



VIEW D-D ROTATED 90° CCW



SUGGESTED PRINTED CIRCUIT BOARD MOUNTING DIMENSIONS SCALE 2:1



DETAIL C (THRU-BOLT)

| OBsolete | THREADED INSERT | THRU-BOLT(SEE DETAIL C) | SEE DETAIL A | 5552725-7   |
|----------|-----------------|-------------------------|--------------|-------------|
| OBsolete | THREADED INSERT | SELF-TAPPING            | SEE DETAIL B | 5552725-6   |
| OBsolete | THREADED INSERT | SELF-TAPPING            | SEE DETAIL A | 5552725-5   |
|          | TAPPED HOLE     | SELF-TAPPING            | SEE DETAIL B | 5552725-3   |
|          | TAPPED HOLE     | THRU-BOLT(SEE DETAIL C) | SEE DETAIL A | 5552725-2   |
|          | TAPPED HOLE     | SELF-TAPPING            | SEE DETAIL A | 5552725-1   |
|          | THREAD TYPE     | TYPE OF MOUNTING        | DESCRIPTION  | PART NUMBER |

|  |        |  |              |   |         |
|--|--------|--|--------------|---|---------|
| THIS DRAWING IS A CONTROLLED DOCUMENT. |        | DL DRUMMOND 18 AUG 97                  |              | TE Connectivity   |         |
| DIMENSIONS: mm [INCHES]                |        | TOLERANCES UNLESS OTHERWISE SPECIFIED: |              | RECEPTACLE ASSEMBLY, 50 POSITION, RIGHT ANGLE, SELF TAPPING, CHAMP® |         |
| 0 PLC                                  | ± .005 | 1 PLC                                  | ± .005       | SIZE  | A1      |
| 1 PLC                                  | ± .005 | 2 PLC                                  | ± .005       | CAGE CODE   | 00779   |
| 2 PLC                                  | ± .005 | 3 PLC                                  | ± 0.13[.005] | DRAWING NO  | 5552725 |
| 3 PLC                                  | ± .005 | 4 PLC                                  | ± .005       | WEIGHT  |         |
| 4 PLC                                  | ± .005 | ANGLES                                 | ± .005       | CUSTOMER DRAWING  |         |
| MATERIAL                               |        | FINISH                                 |              | SCALE 4:1 SHEET 1 OF 1 REV E1                                       |         |