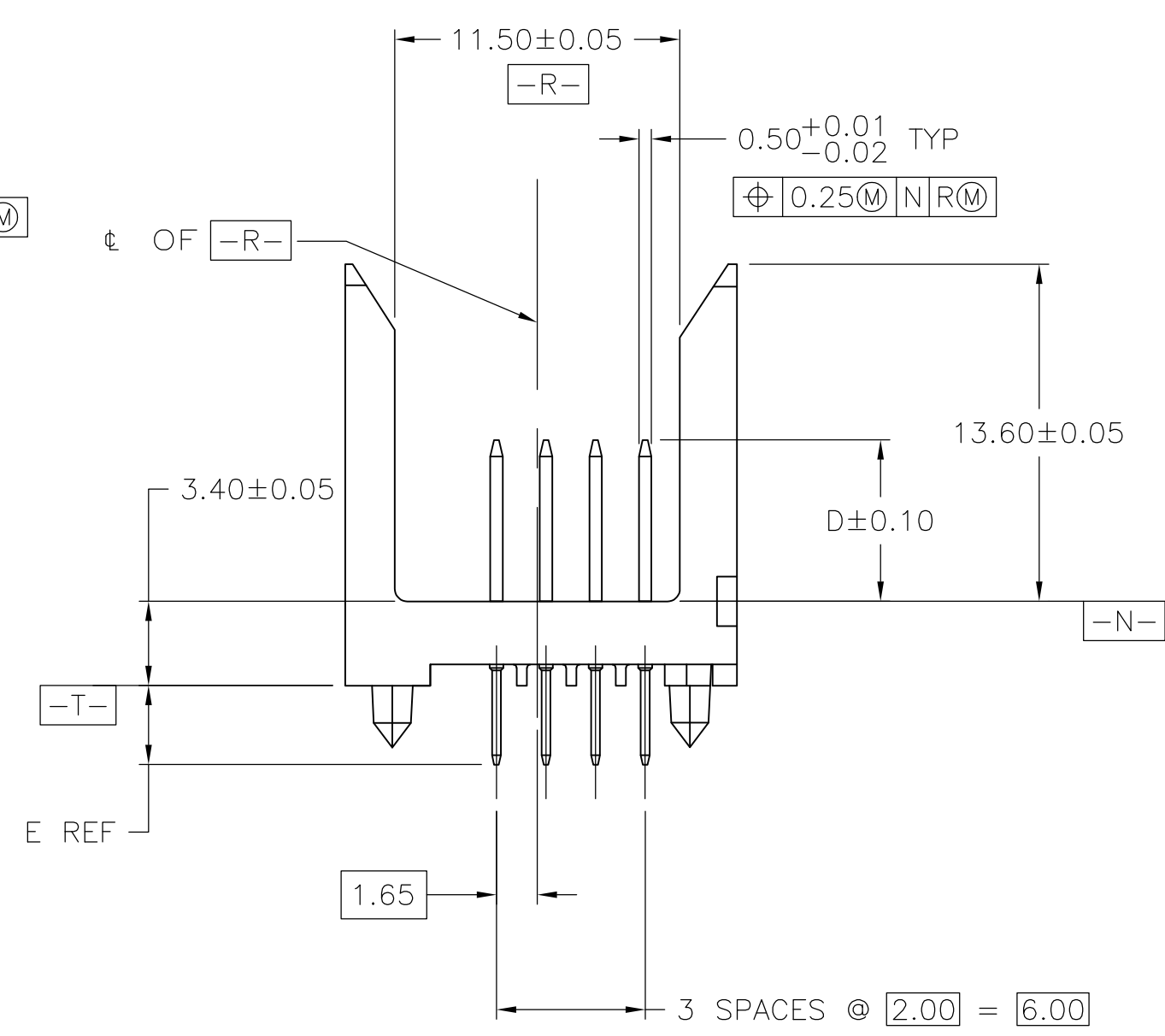
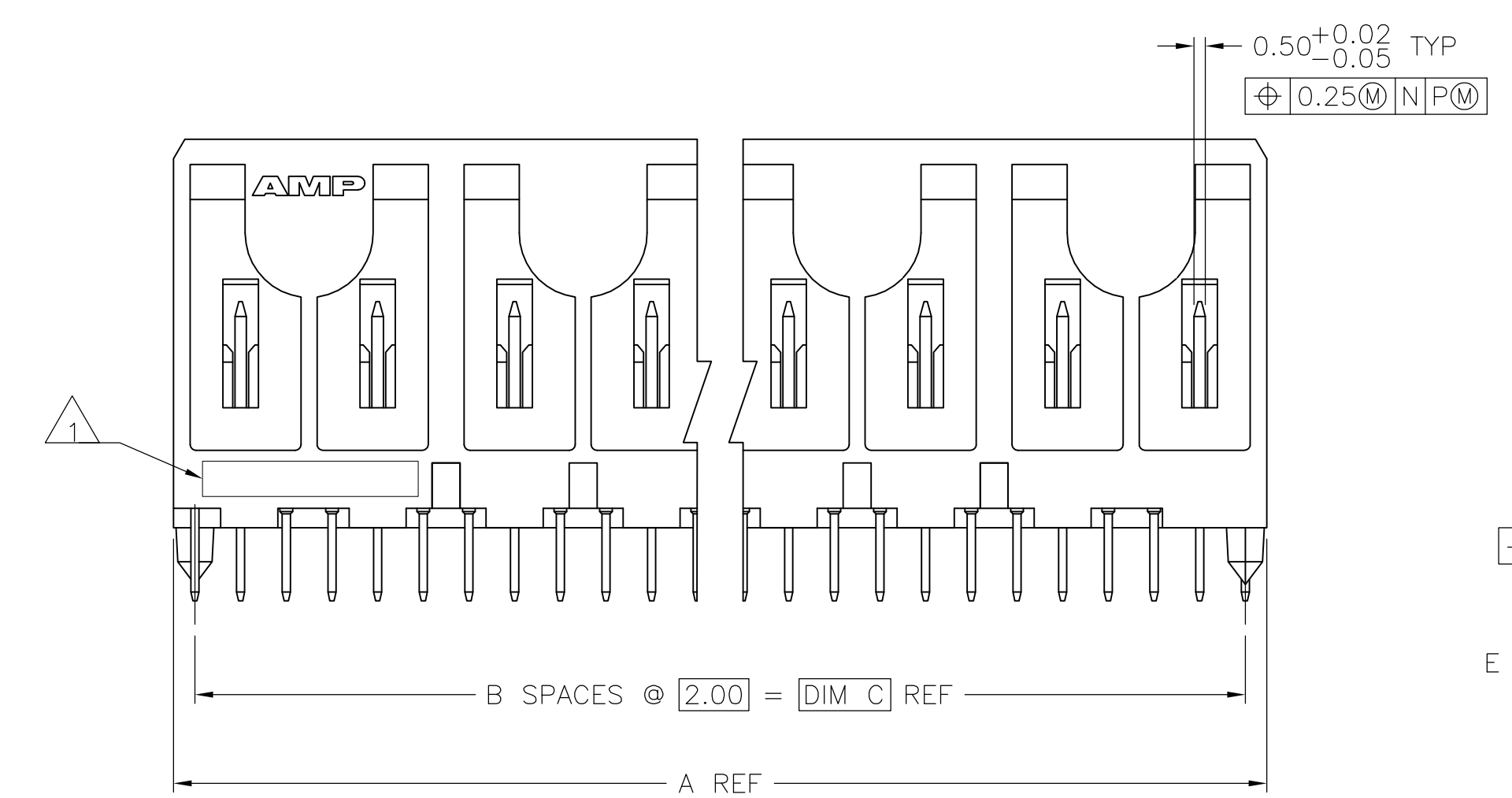
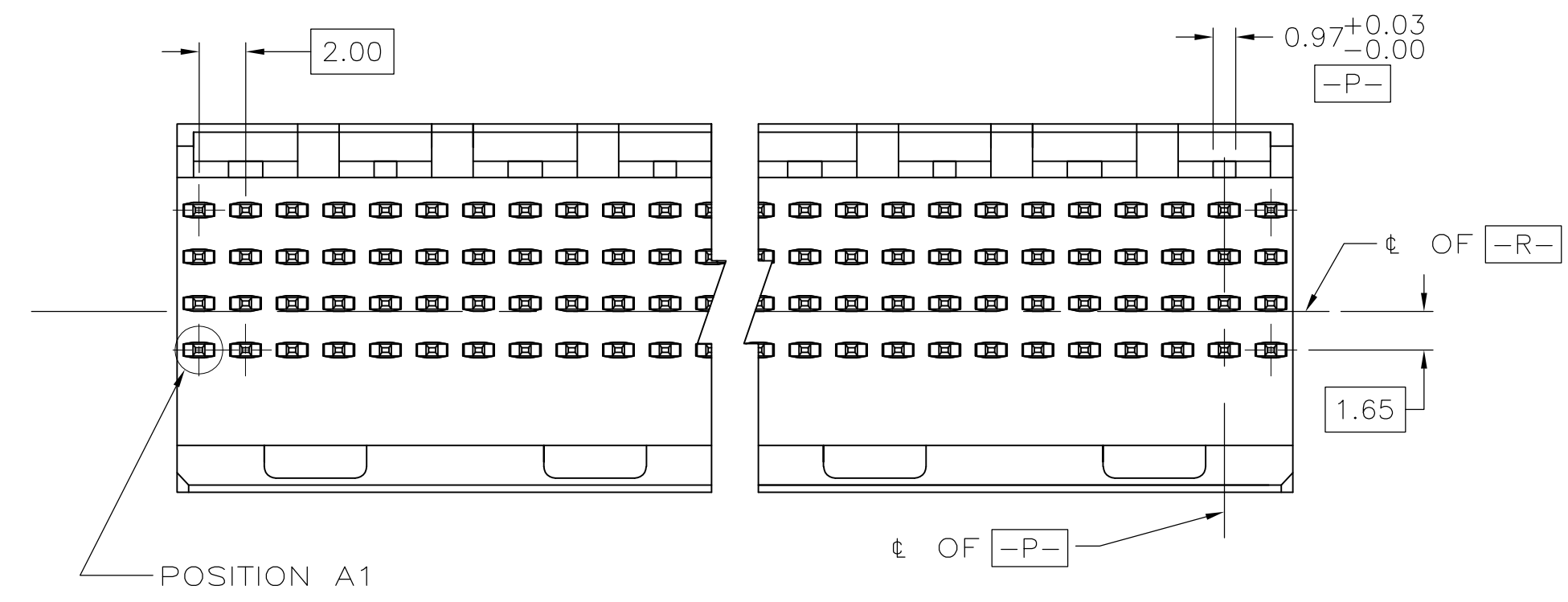
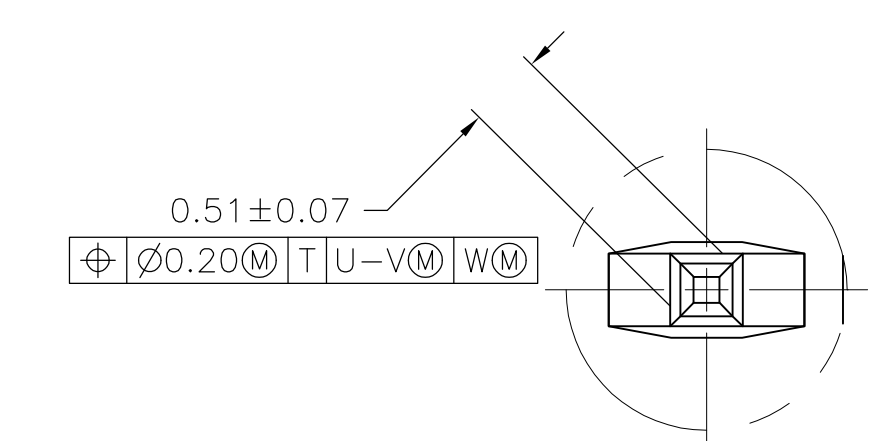


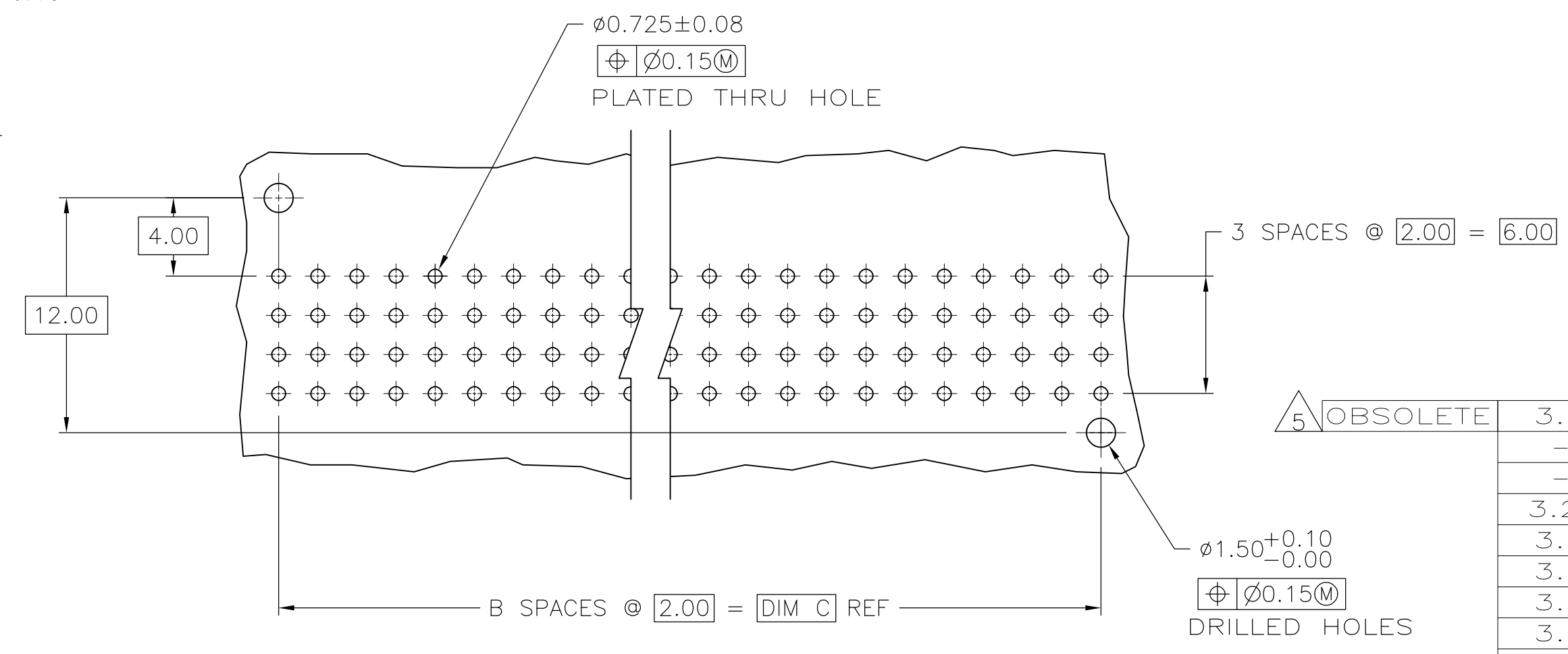
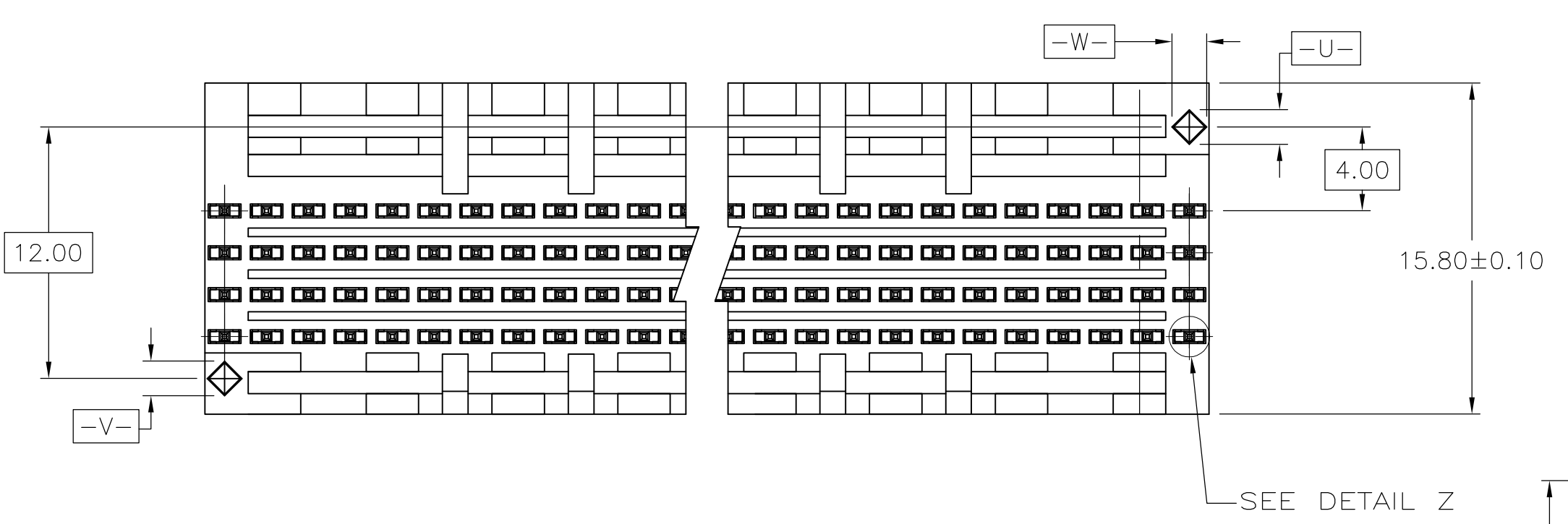
| LOC | DIST | REVISIONS | | | |
|-----|------|---------------------------|---------|-----|------|
| P | LTR | DESCRIPTION | DATE | OWN | APPD |
| 01 | | REVISED PER ECO-05-013208 | 14FEB06 | JDP | RW |
| 02 | | REVISED PER ECO-10-000444 | 19JAN10 | KK | HMR |



- 1 HOUSING MATERIAL: LIQUID CRYSTAL POLYMER PER ASTM D5138 LCP000 G30A 32250.
- 2 CONTACT MATERIAL: PHOSPHOR BRONZE.
- 3 CONTACT FINISH:
 UNDERPLATE (ENTIRE CONTACT):
 0.00127 MIN NICKEL PER SAE-AMS-QQ-N-290.
 ON MATING SURFACES:
 CONFORMS TO ALL TESTING SPECIFIED FOR TELCORDIA UNCONTROLLED ENVIRONMENT.
 ON LEADS
 0.00381 MIN TIN PER ASTM B 545 OVER UNDERPLATE.
 LUBRICATION (MIN MATING SURFACES):
 SURFACE CONDITIONER AFTER PLATING.
- 4 PART MARKING, LOCATED APPROXIMATELY AS SHOWN.
- 5 OBSOLETE PARTS: OBSOLETE CIS STREAMLINING PER D.RENAUD/D.SINISI



DETAIL Z
SCALE 20:1



RECOMMENDED CIRCUIT PATTERN
 PER IPC-D300 TYPE II, CLASS C
 (COMPONENT SIDE)

| E | D | C | B | A | FINISH | NO OF POSN | PART NUMBER |
|-----|-----|----|----|-------|--------|------------|-------------|
| | | | | | | | |
| - | - | - | - | - | - | - | - |
| 3.2 | 6.5 | 58 | 29 | 59.88 | 3 | 120 | 5536536-6 |
| 3.2 | 6.5 | 94 | 47 | 95.88 | 3 | 192 | 5536536-4 |
| 3.2 | 6.5 | 46 | 23 | 47.88 | 3 | 96 | 5536536-3 |
| 3.2 | 6.5 | 22 | 11 | 23.88 | 3 | 48 | 5536536-2 |
| 3.2 | 6.5 | 10 | 5 | 11.88 | 3 | 24 | 5536536-1 |

THIS DRAWING IS A CONTROLLED DOCUMENT.

| | | | | | | |
|--|---------|---------|---------|---------|---------|----------|
| DIMENSIONS: | 0 PLC ± | 1 PLC ± | 2 PLC ± | 3 PLC ± | 4 PLC ± | ANGLES ± |
| TOLERANCES UNLESS OTHERWISE SPECIFIED: | ± | ± | ± 0.13 | ± | ± | ± |

MATERIAL: 1 2 FINISH: 3

APPROVED: R. WERTZ

NAME: Z-PACK 2mm FB, SIGNAL MODULE, PIN ASSEMBLY 2mm, 4 ROW, TABLED MATING & LEAD LENGTHS.

SIZE: A1 CAGE CODE: 00779 DRAWING NO: 5536536

SCALE: 4:1 SHEET: 1 OF 1 REV: 02