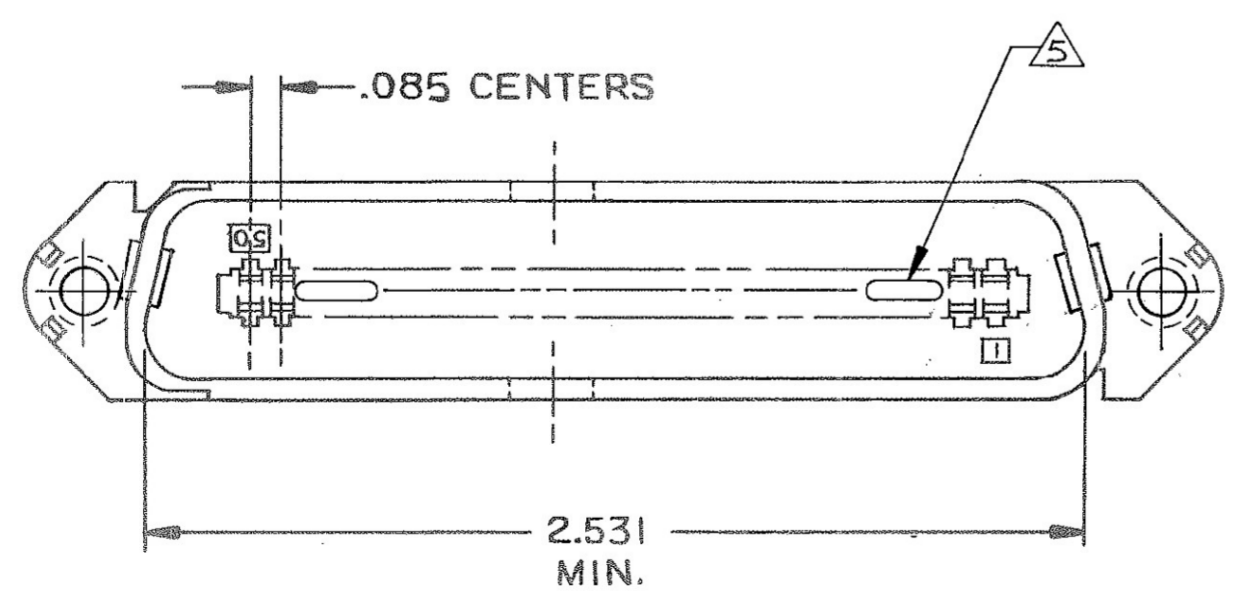
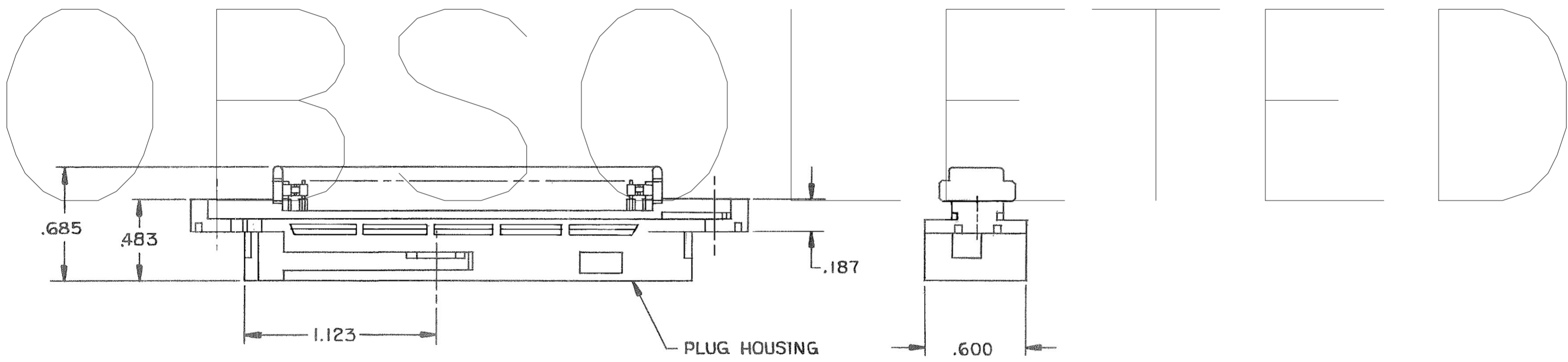
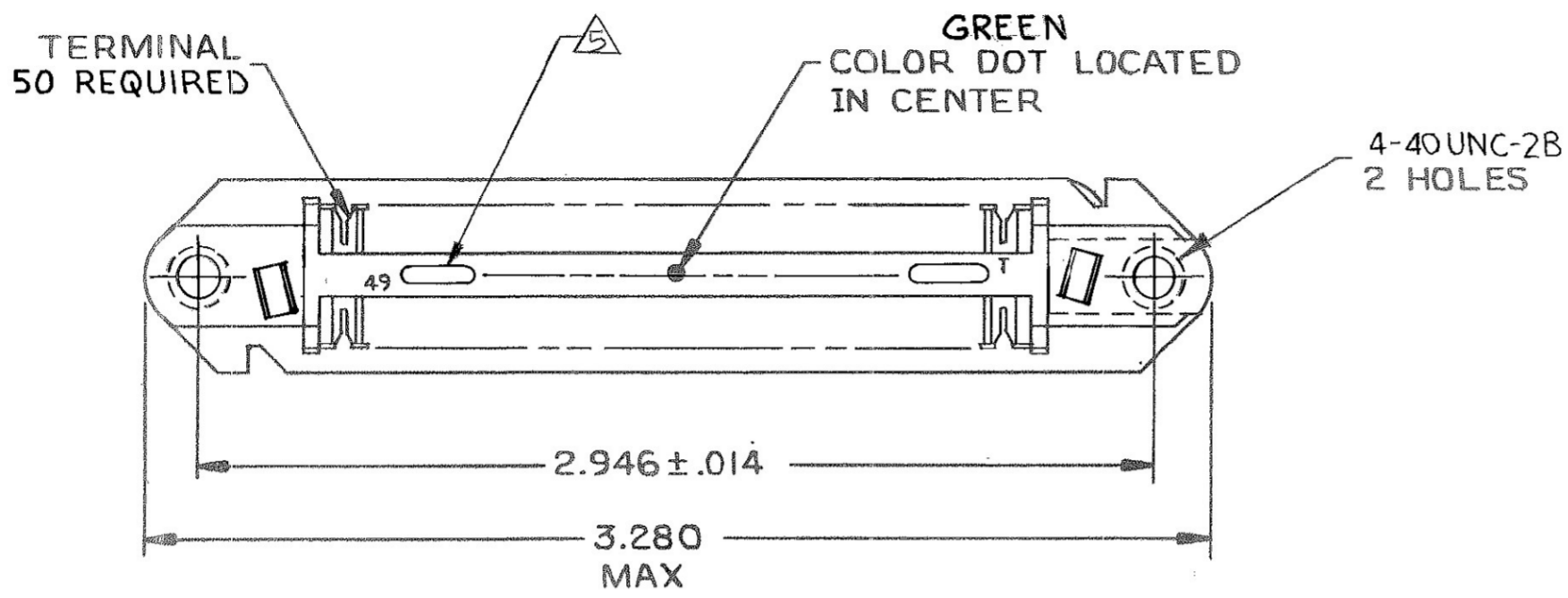


REVISIONS				
P	LTR	DESCRIPTION	DATE	APVD
	R1	REVISED PER ECN-24-273904	24JUL2024	SKN PS



1. THE CONTACT SURFACES OF THE TERMINALS ARE COATED WITH LUBRICANT.
- ② ALL DIMENSIONS SHOWN ARE FOR REFERENCE ONLY UNLESS OTHERWISE SPECIFIED.
- ③ MATERIAL:
HOUSING - THERMOPLASTIC (BLACK)
TERMINALS - HIGH STRENGTH COPPER ALLOY PLATED WITH EITHER .000030 MIN GOLD OR GOLD FLASH OVER PALLADIUM NICKEL .000030 MIN TOTAL, ON CONTACT MATING SURFACE. .000050 MIN NICKEL UNDERPLATE OVER ENTIRE TERMINAL.
4. WIRE SIZE: 22 AWG SOLID OR 22 AWG 7 STRANDS OF COPPER CONDUCTORS. MAX INSULATION DIAMETER OF .045 IS ACCEPTABLE FOR MOST APPLICATIONS.
- ⑤ CORING MAY OR MAY NOT APPEAR AND IS AT THE DISCRETION OF TYCO ELECTRONICS.

OBSOLETED	BLACK	552173-1
	DESCRIPTION	PART NO

THIS DRAWING IS A CONTROLLED DOCUMENT.		DWN RICHARD W. SPEER 1-10-80	TE Connectivity	
DIMENSIONS: INCHES		CHK V.E. SLACK 1-11-80	NAME	
TOLERANCES UNLESS OTHERWISE SPECIFIED:		APVD B.G. WARD 1-11-80	PLUG ASSY, 50 POSITIONS, C SLOT W/ 4-40 HOLES, CHAMP-LOK	
0 PLC ± -	1 PLC ± -	PRODUCT SPEC	SIZE A2	CAGE CODE 00779
2 PLC ± -	3 PLC ± -	APPLICATION SPEC	DRAWING NO C-552173	RESTRICTED TO
4 PLC ± -	ANGLES ± -	WEIGHT	SCALE NTS	SHEET 1 OF 1
MATERIAL ③	FINISH ③	CUSTOMER DRAWING	REV R1	

552173