

4

3

2

1

THIS DRAWING IS UNPUBLISHED.

RELEASED FOR PUBLICATION

20

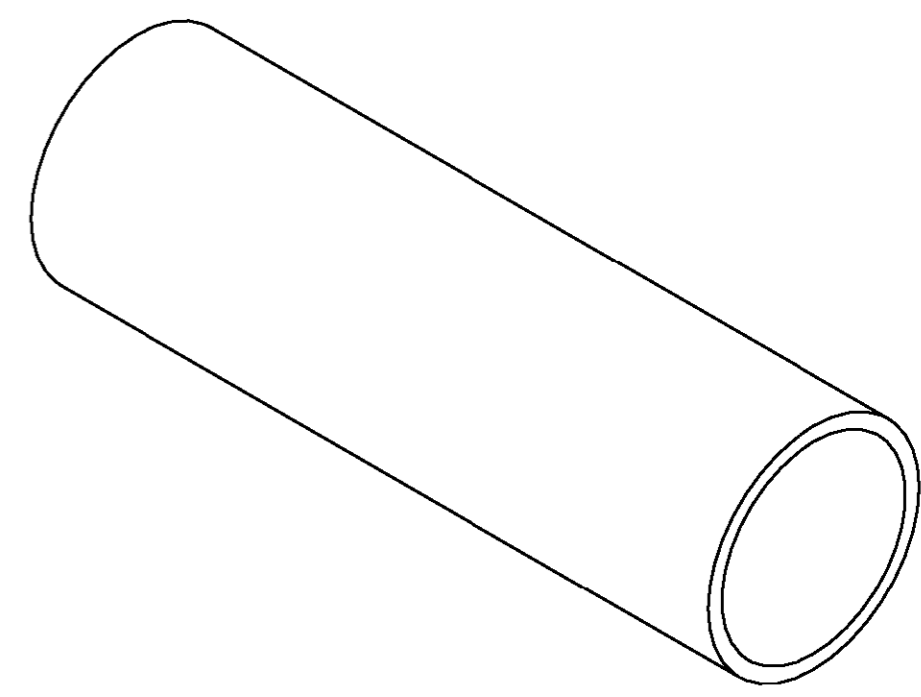
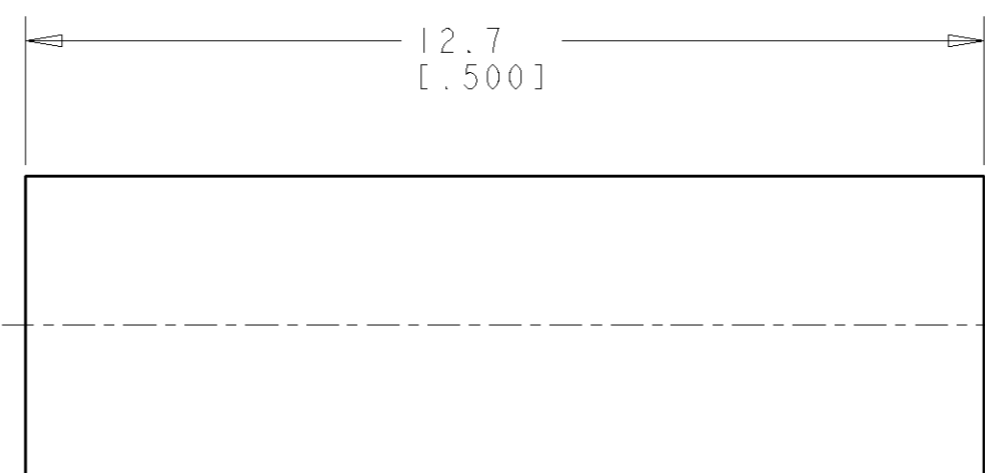
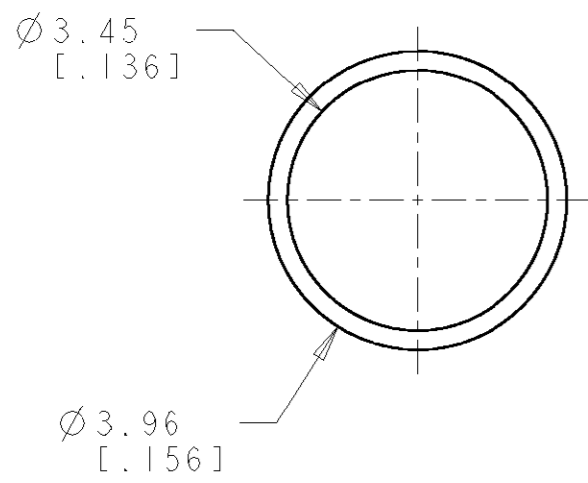
© COPYRIGHT 20

BY TYCO ELECTRONICS CORPORATION. ALL RIGHTS RESERVED.

LOC
CE
DIST
16

REVISIONS

P	LTR	DESCRIPTION	DATE	DWN	APVD
	A	REV PER 0A00-0120-05	28MAR2005	DDE	EH



5504118-3
PART
NUMBER

NOTES:

1 MATERIAL: BRASS, NICKEL PLATED.

<small>THIS DRAWING IS A CONTROLLED DOCUMENT FOR TYCO ELECTRONICS CORPORATION IT IS SUBJECT TO CHANGE AND THE CONTROLLING ENGINEERING ORGANIZATION SHOULD BE CONTACTED FOR THE LATEST REVISION.</small>		DWN E. BOGAR 12JUL2002	Tyco Electronics Harrisburg, PA 17105-3608
DIMENSIONS: mm [INCHES]		CHK D. ERDMAN 12JUL2002	
		APVD S. BUCHTER 12JUL2002	
TOLERANCES UNLESS OTHERWISE SPECIFIED: 0 PLC ±- 1 PLC ±- 2 PLC ±- 3 PLC ±.005 4 PLC ±- ANGLES ±-		PRODUCT SPEC -	NAME CRIMP SLEEVE, RB#1
MATERIAL 1		APPLICATION SPEC -	RESTRICTED TO -
FINISH -		WEIGHT -	SIZE A3
CUSTOMER DRAWING		SCALE 10:1	CAGE CODE 00779
		DRAWING NO C=5504118	REV A