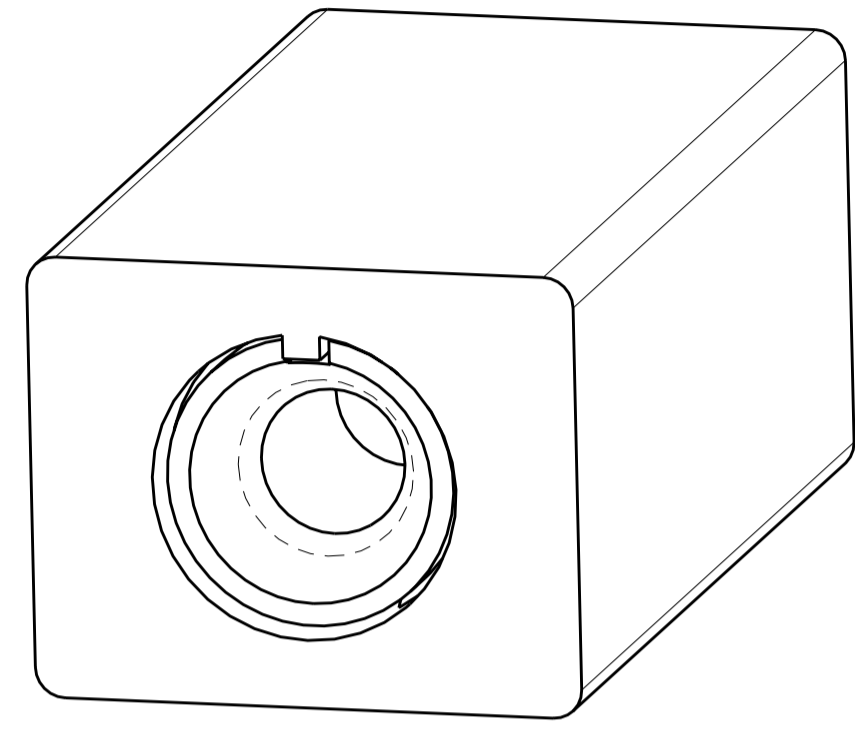
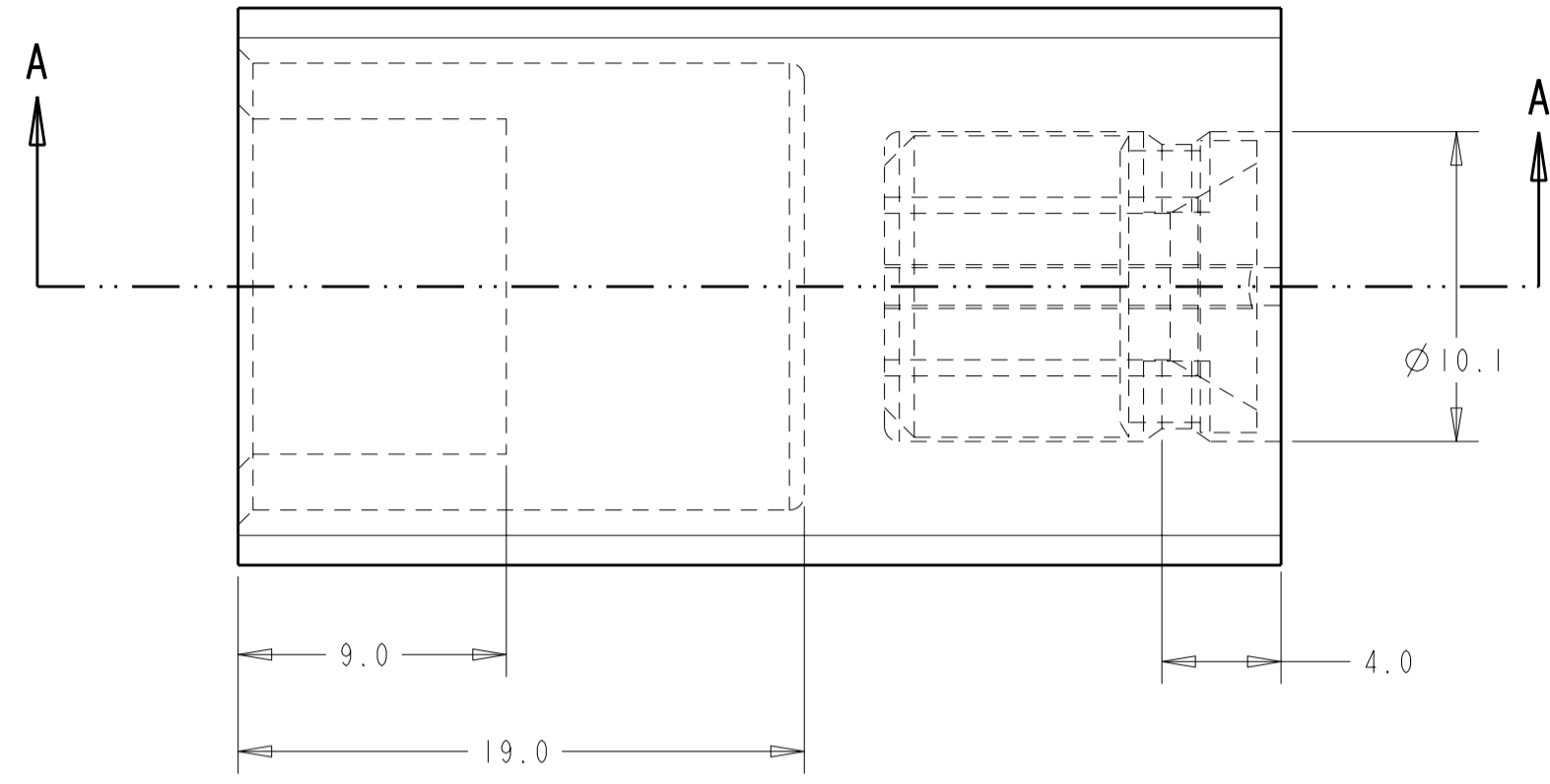
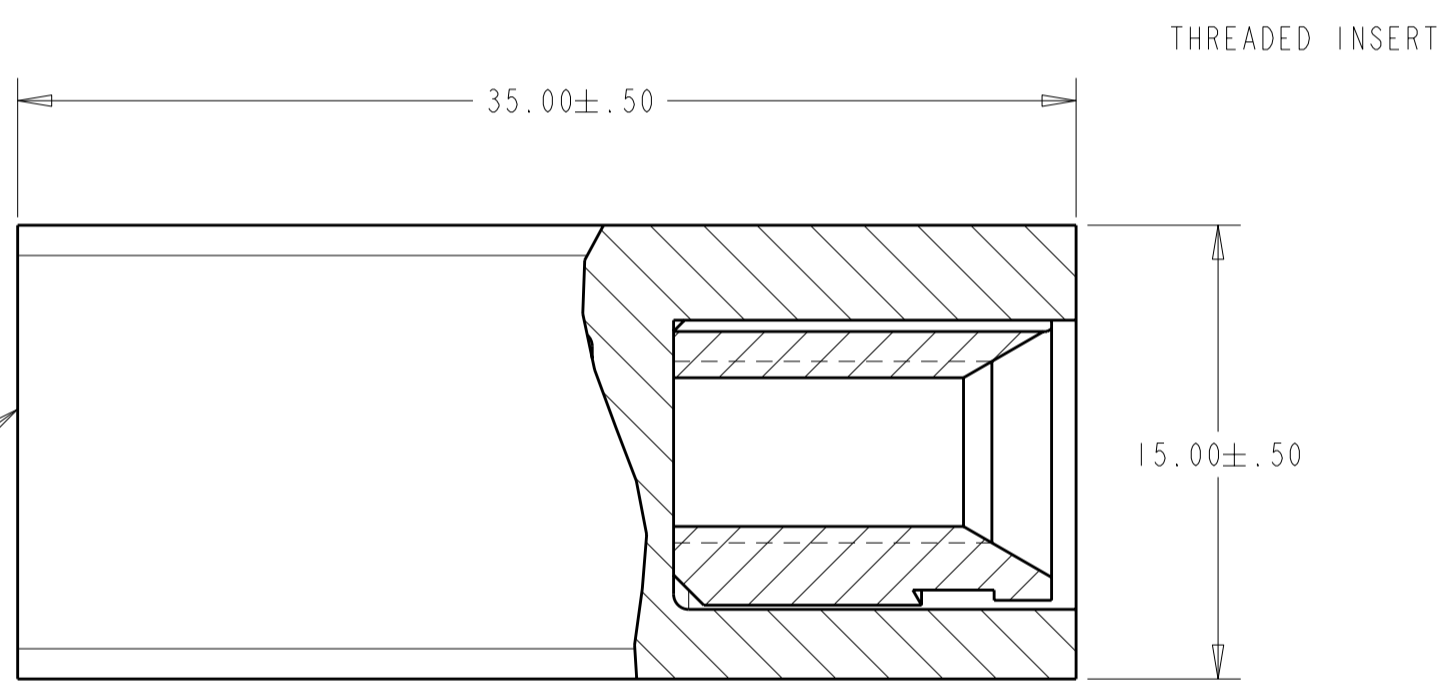


THIS DRAWING IS UNPUBLISHED. RELEASED FOR PUBLICATION 20  
 © COPYRIGHT 20 BY TYCO ELECTRONICS CORPORATION. ALL RIGHTS RESERVED.

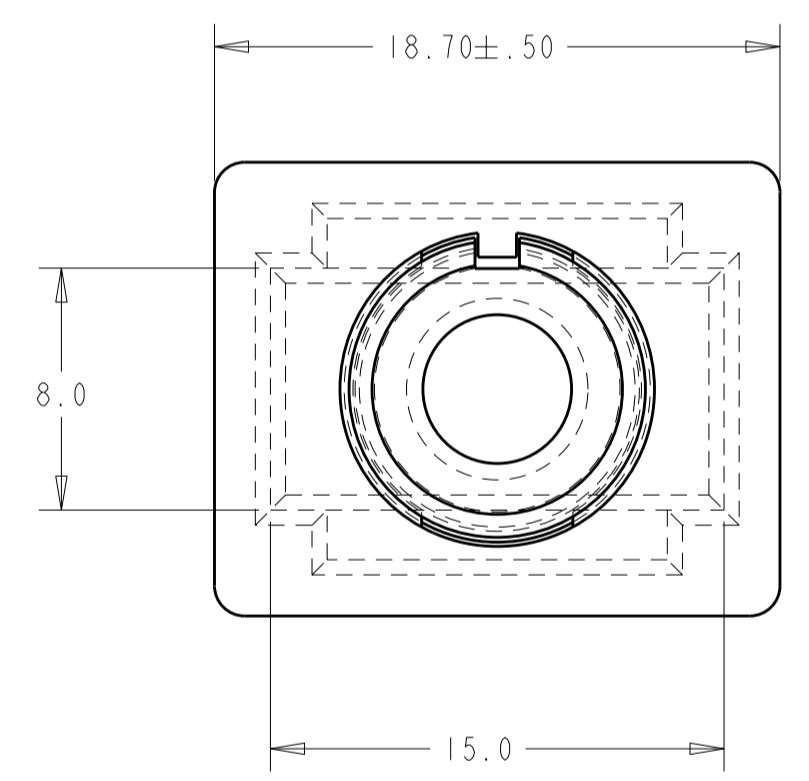
| LOC | DIST | REVISIONS   |               |         |        |
|-----|------|-------------|---------------|---------|--------|
| P   | LTR  | DESCRIPTION | DATE          | DWN     | APVD   |
| CE  | 16   | B           | ECR 06-028715 | 03JAN07 | LGE FA |
|     |      |             |               |         |        |
|     |      |             |               |         |        |



SCALE 4:1



THREADED INSERT



THREADED INSERT 3

SECTION A-A

MPX DUST COVER

- 1 MATERIAL: BOOT: THERMOPLASTIC ELASTOMER
- 2. BULK PACKAGE 25 PIECES.
- 3 USE WITH THREADED INSERT P/N: 5503798-1.
- 4. RETENTION FORCE WHEN MATED = 1/2 LB MINIMUM.
- 5 MATERIAL: INSERT: NICKEL PLATED BRASS.

|       |          |             |
|-------|----------|-------------|
| RED   | 5 1      | 492576-7    |
| BLACK | 5 1      | 492576-1    |
| COLOR | MATERIAL | PART NUMBER |

|   |  |                            |  |  |
|---|--|----------------------------|--|--|
| THIS DRAWING IS A CONTROLLED DOCUMENT FOR TYCO ELECTRONICS CORPORATION. IT IS SUBJECT TO CHANGE AND THE CONTROLLING ENGINEERING ORGANIZATION SHOULD BE CONTACTED FOR THE LATEST REVISION. |  | DWN<br>E. HALEY 22NOV05    | Tyco Electronics<br>Harrisburg, PA 17105-3608      |  |
| DIMENSIONS:<br>mm   |  | CHK<br>A. PLOTTIS 22NOV05  |  |  |
| TOLERANCES UNLESS OTHERWISE SPECIFIED:<br>0 PLC ±<br>1 PLC ±0.5<br>2 PLC ±0.13<br>3 PLC ±0.013<br>4 PLC ±0.0001<br>ANGLES ±<br>FINISH   |  | APVD<br>A. PLOTTIS 22NOV05 | NAME<br>DUST COVER WITH INSERT,<br>MPX MOTHERBOARD |  |
| MATERIAL<br>SEE TABULATION  |  | PRODUCT SPEC<br>-          | SIZE<br>A2   |  |
|   |  | APPLICATION SPEC<br>-      | CAGE CODE<br>00779                                 |  |
|   |  | WEIGHT<br>-                | DRAWING NO<br>5492576                              |  |
|   |  | CUSTOMER DRAWING           | RESTRICTED TO<br>-                                 |  |
|   |  | SCALE 4:1                  | SHEET 1 OF 1 REV B                                 |  |