

REVISIONS					
P	LTR	DESCRIPTION	DATE	DWN	APVD
C		ECO-20-004897	24AUG2020	SB	JB

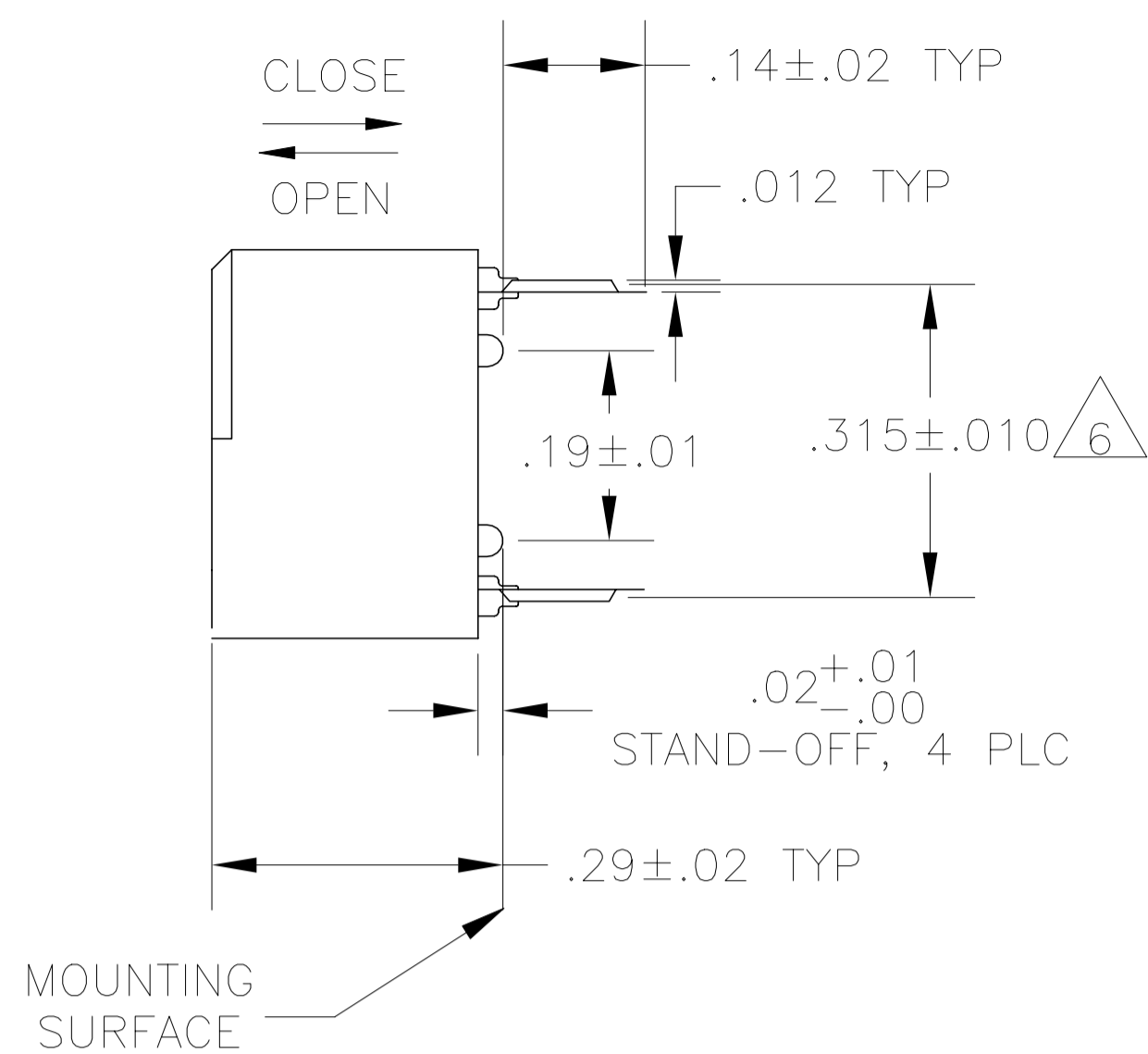
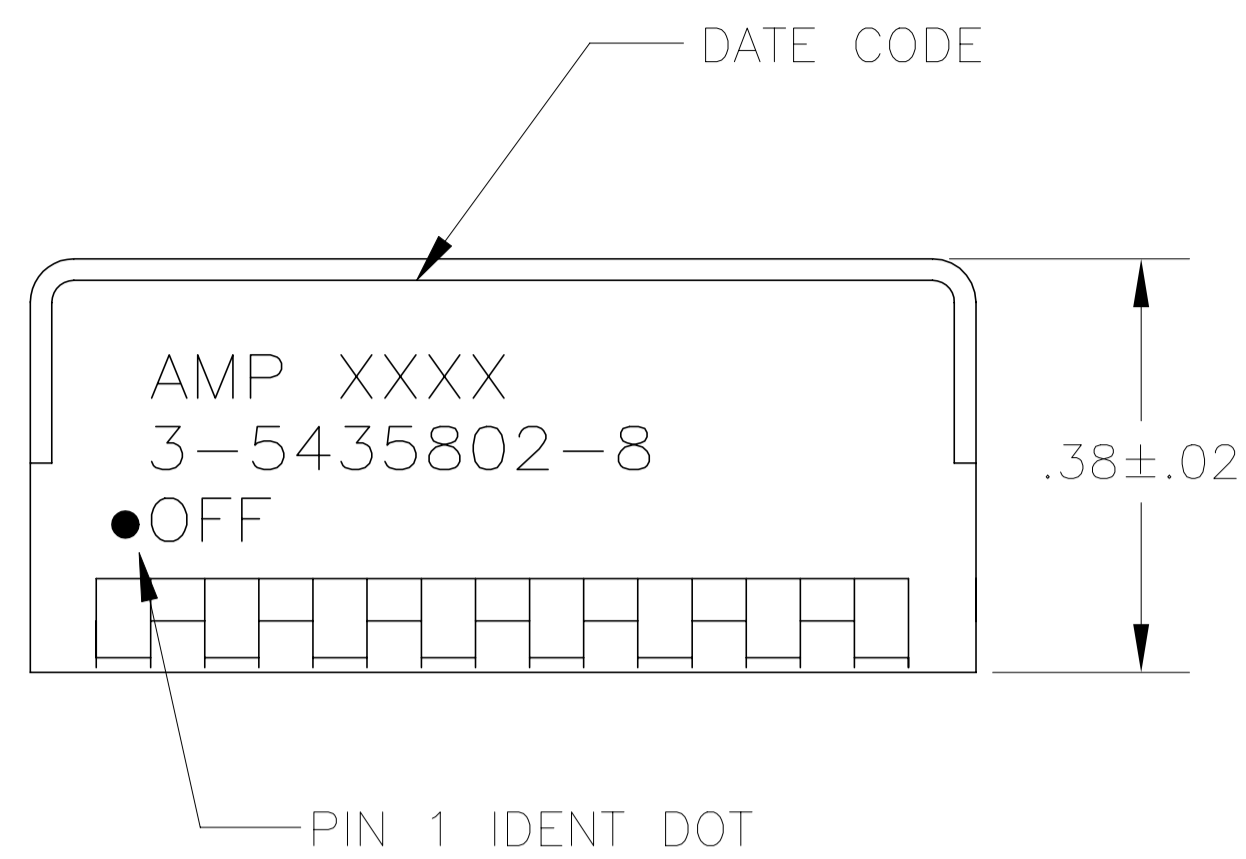


FIG 1

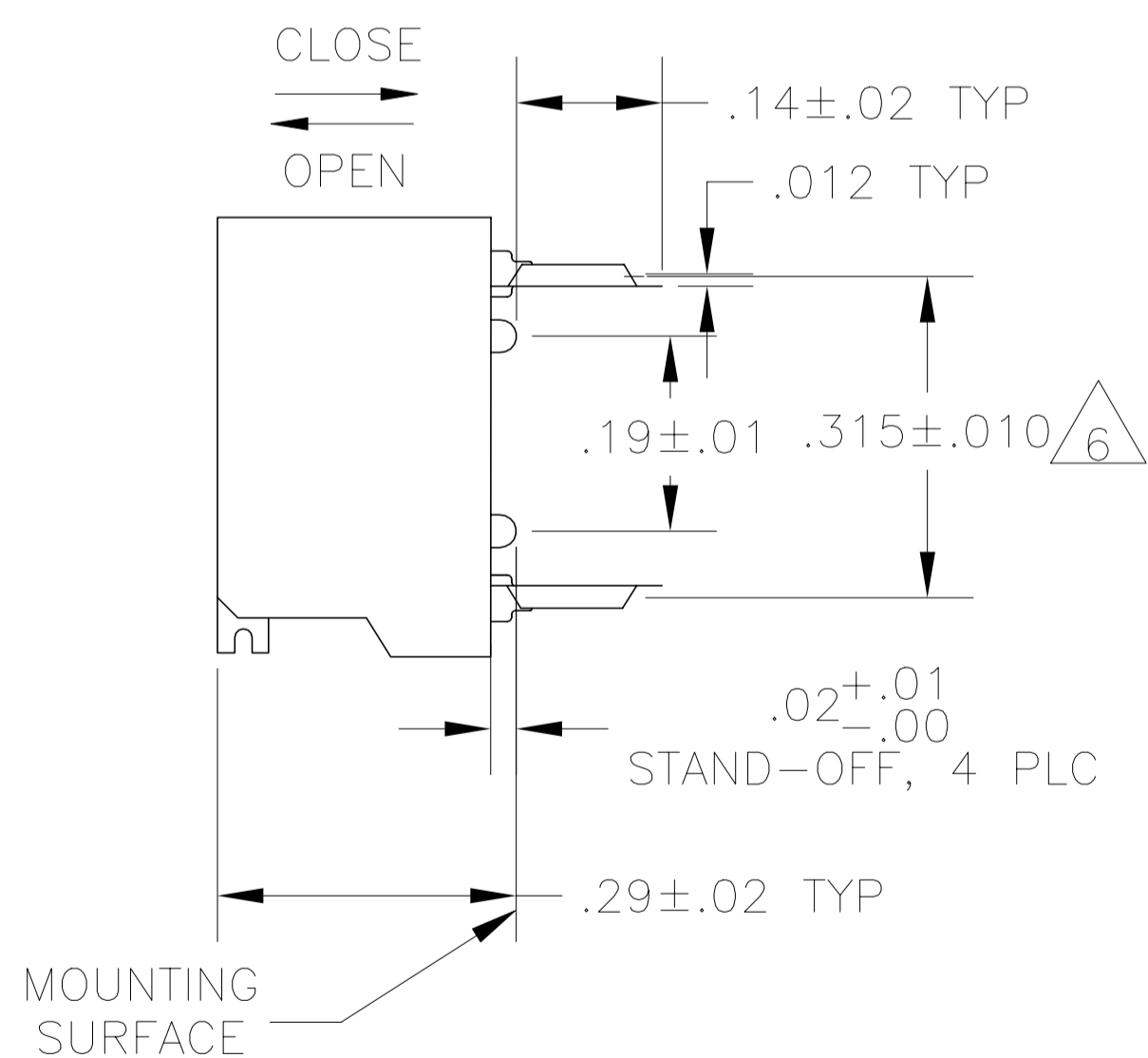
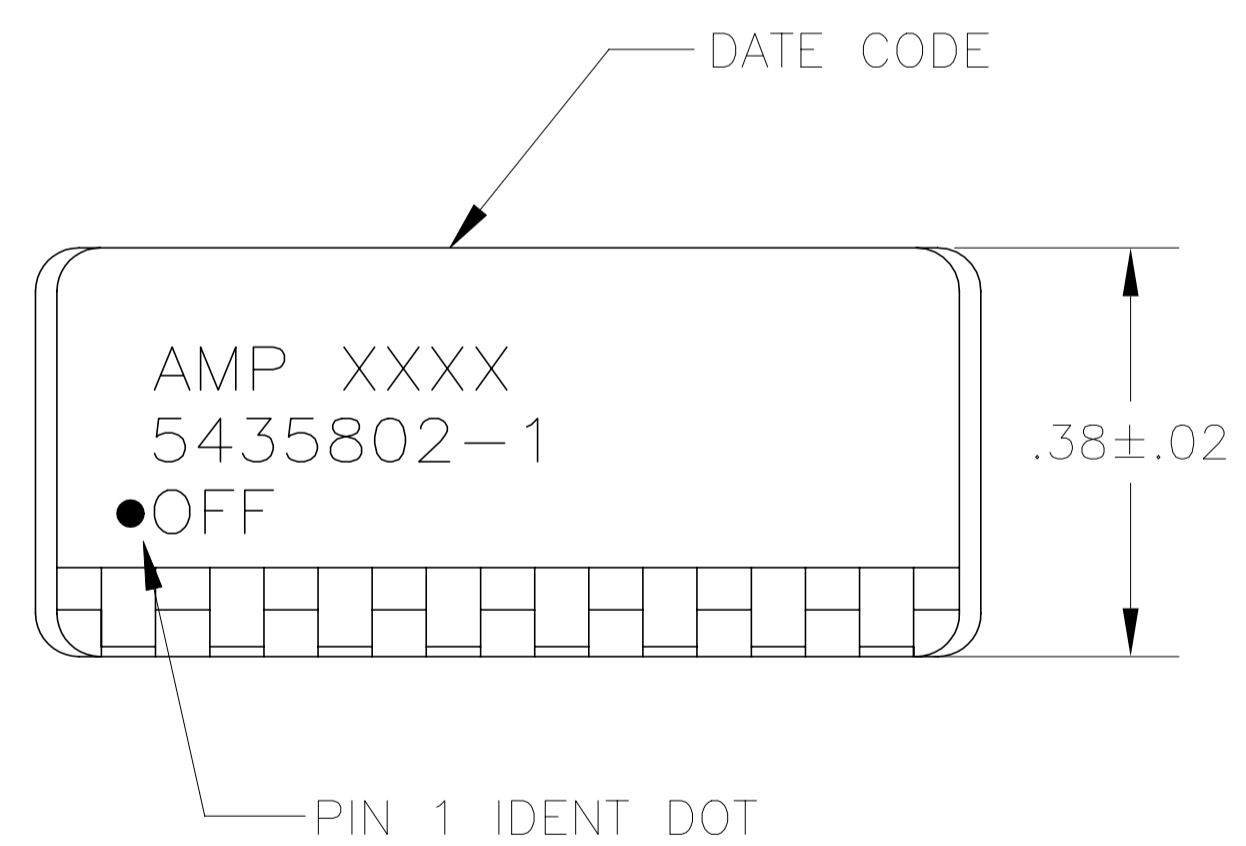
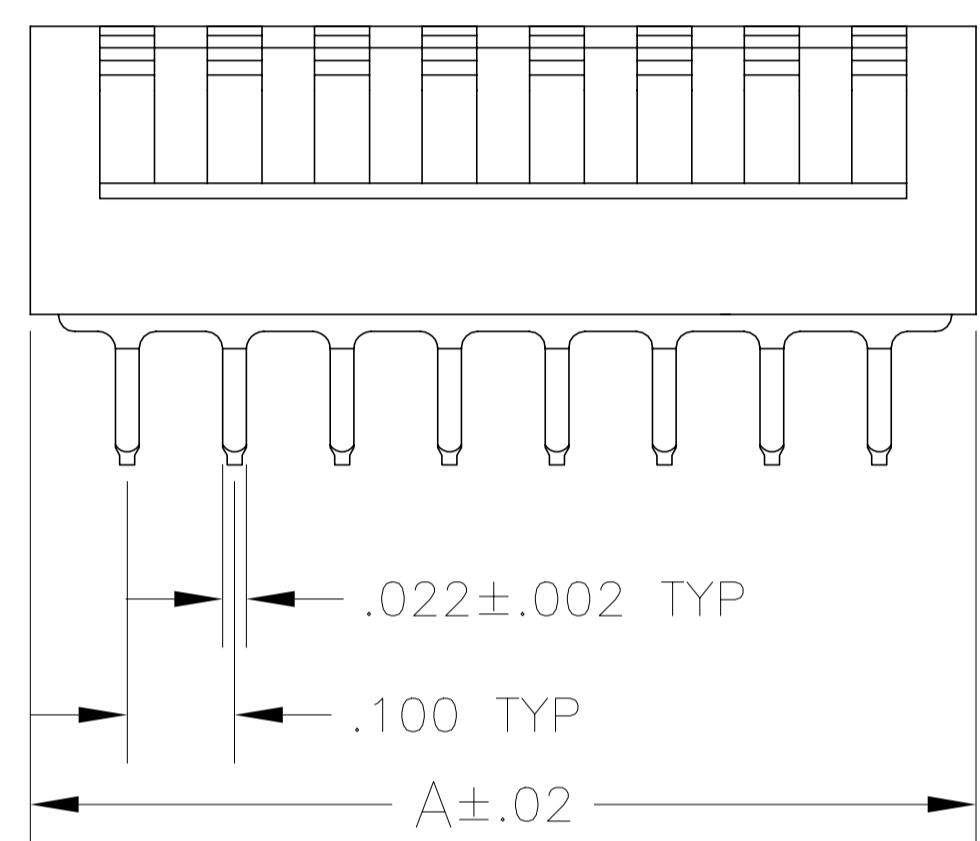
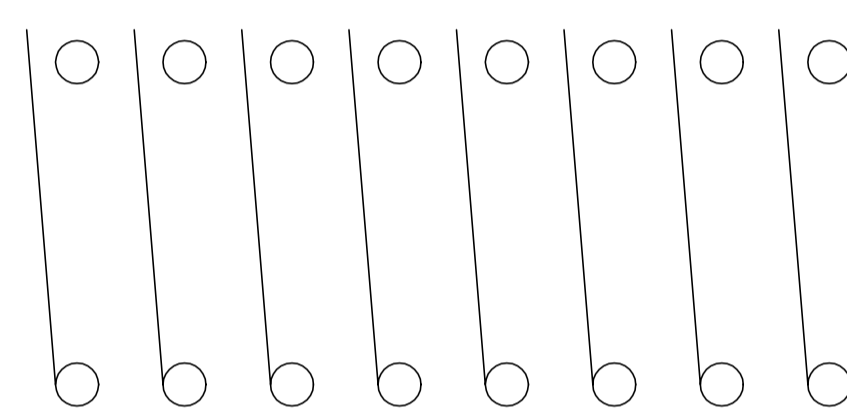
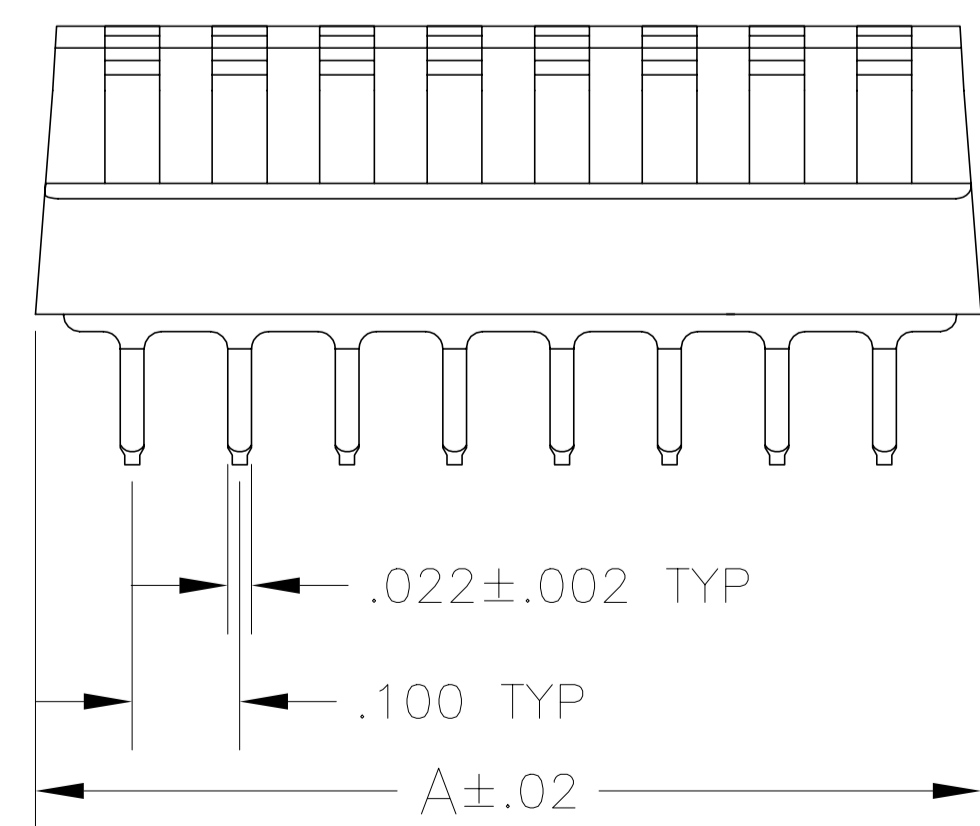


FIG 2



- FOR ADDITIONAL SPECIFICATIONS SEE AMP PRODUCT SPEC 108-7519.
- SWITCH SHOWN IN OPEN POSITION.
- ALL CHARACTERS AND ROCKERS ARE WHITE, HOUSING IS BLACK.
- LASER MARKING WILL VARY ON 2 AND 3 POSITION TOPS DUE TO SPACE RESTRICTIONS.
- STRIPPABLE TRANSPARENT SEAL, SEE FIG 6.
- .315 DIMENSION APPLIES AT TERMINAL TIPS. TERMINALS ARE .300+0.010/-0.000 AT MOUNTING SURFACE.
- NO POSITION MARKING.
- NO PART NO. MARKING.
- STRIPPABLE TAPE SEAL, SEE FIGURE 8.
- ALL MATERIALS AND FINISHES SHALL COMPLY WITH EU DIRECTIVE 2002/95/EC OF 27JAN2003 (ROHS)
- MATERIAL: HOUSING AND ROCKERS - POLYESTER CONTACT & SOLDER LEAD - COPPER ALLOY
- FINISH: CONTACT - GOLD OVER NICKEL SOLDER LEAD - TIN OVER NICKEL
- OBSOLETE PARTS: OBSOLETE CIS STREAMLINING PER D.RENAUD/D.SINISI
- MARKS WILL BE ADDED BY LASER MARK PROCESS.

FIG	FIG 3A& 7					
FIG 2	FIG 3A		1.08	10	6-5435802-3	
FIG 1	FIG 3B	9	.88	8	3-5435802-8	
FIG 2	7 8	5	.88	8	3-5435802-0	
FIG 2	7 8	5	.48	4	2-5435802-9	
FIG 2			1.28	12	2-5435802-2	
FIG 2			1.18	11	2-5435802-1	
FIG 2			1.08	10	2-5435802-0	
FIG 2	FIG 3A	5	.98	9	1-5435802-9	
FIG 2			.78	7	1-5435802-8	
FIG 2			.68	6	1-5435802-7	
FIG 2			.58	5	1-5435802-6	
FIG 2	8		.48	4	1-5435802-5	
FIG 2	FIG 3A		1.28	12	1-5435802-2	
FIG 1	8		.28	2	1-5435802-0	
FIG 2		5	.88	8	5435802-9	
FIG 2	FIG 3A		1.08	10	5435802-8	
FIG 2			.98	9	5435802-7	
FIG 2			.78	7	5435802-6	
FIG 2			.68	6	5435802-5	
FIG 2			.58	5	5435802-4	
FIG 2	8		.48	4	5435802-3	
FIG 2	8		.38	3	5435802-2	
FIG 2	FIG 3A		.88	8	5435802-1	
HOUSING	MARKING	PROTECTIVE SEAL	A	NO OF POSN	PART NO	

5435802-1 SHOWN

THIS DRAWING IS A CONTROLLED DOCUMENT.		DWN R. TALLEY 19-9-89	TE Connectivity Ltd.			
DIMENSIONS: INCHES		CHK R. MILLER 19-9-89				
TOLERANCES UNLESS OTHERWISE SPECIFIED:		APVD H. LEITER 19-9-89	NAME SWITCH ASSY, DIP, TYPE C, 7000 SERIES, SPST, SIDE ACTUATED			
0 PLC ± -		PRODUCT SPEC	APPLICATION SPEC			
1 PLC ± -			RESTRICTED TO			
2 PLC ± -			SIZE A2 CAGE CODE 00779 DRAWING NO C=5435802			
3 PLC ± .005			SCALE 4:1 SHEET 1 OF 2 REV C			
4 PLC ± -						
ANGLES ± -						
MATERIAL	FINISH	WEIGHT	CUSTOMER DRAWING			

REVISIONS					
P	LTR	DESCRIPTION	DATE	DWN	APVD
-	-	SEE SHEET 1	-	-	-

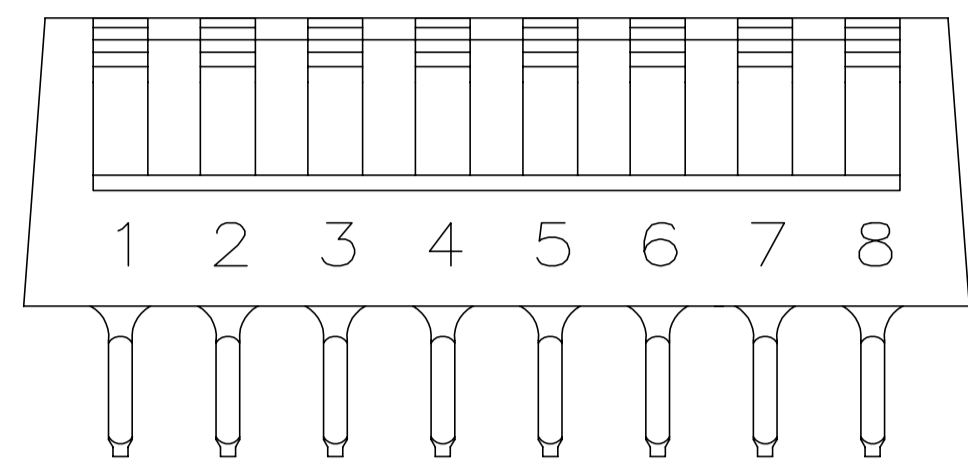


FIG 3A

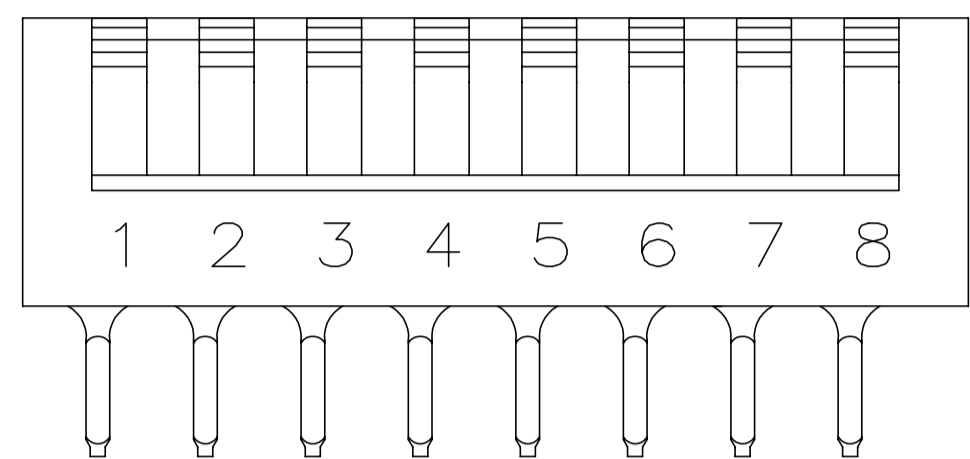


FIG 3B

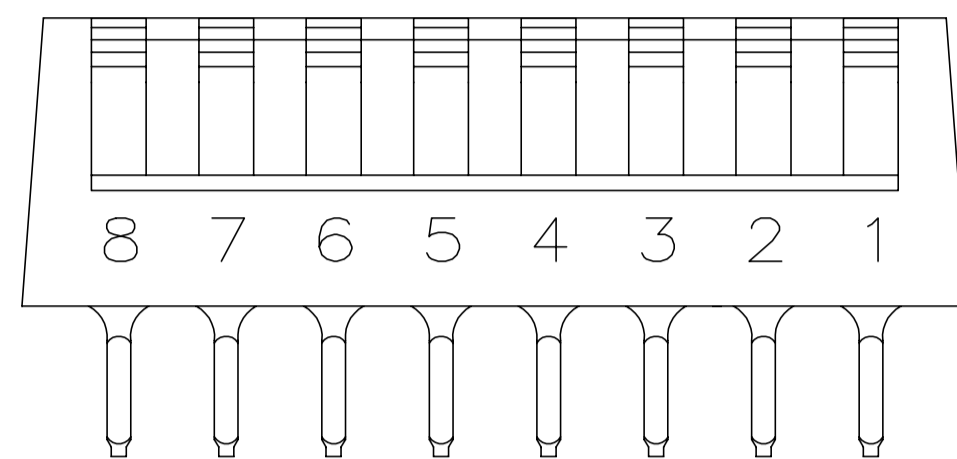
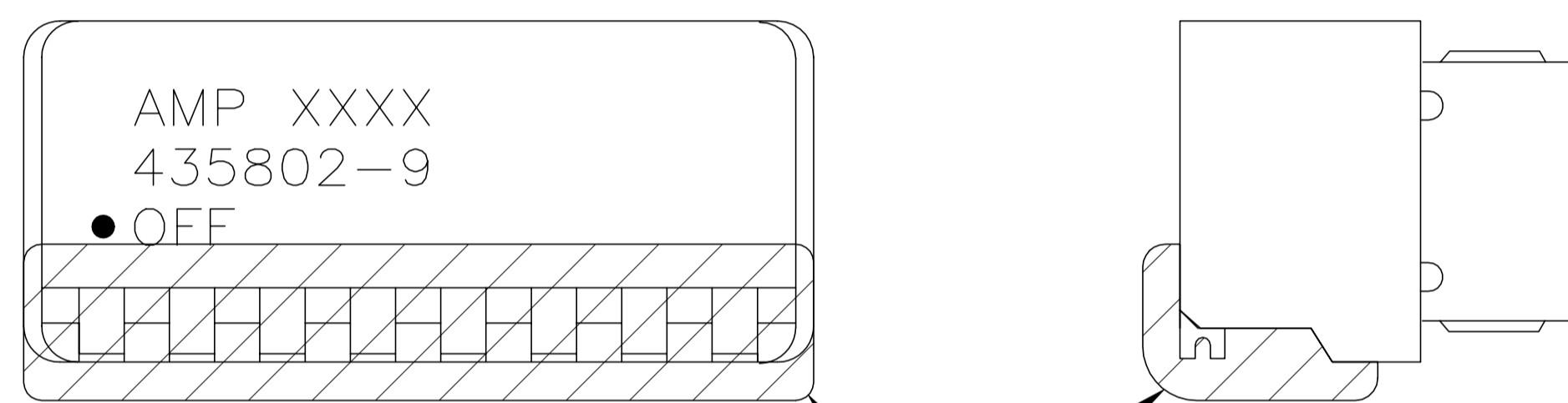
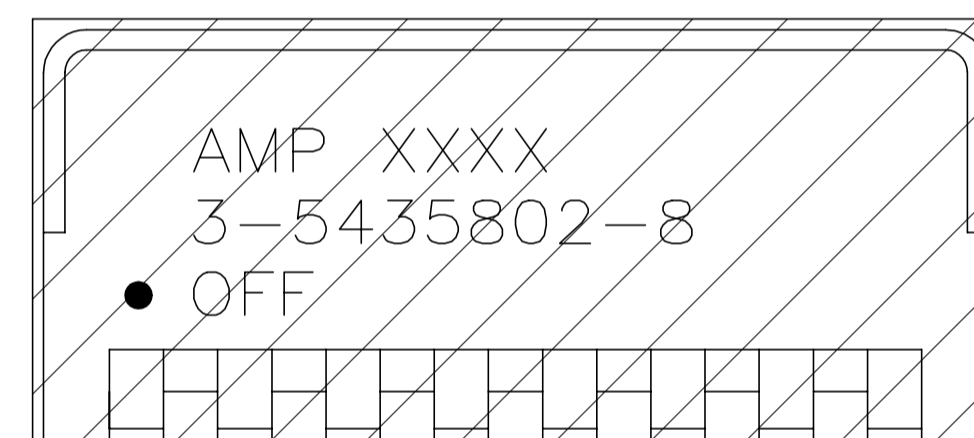


FIG 4



PROTECTIVE SEAL

FIG 6



PROTECTIVE SEAL

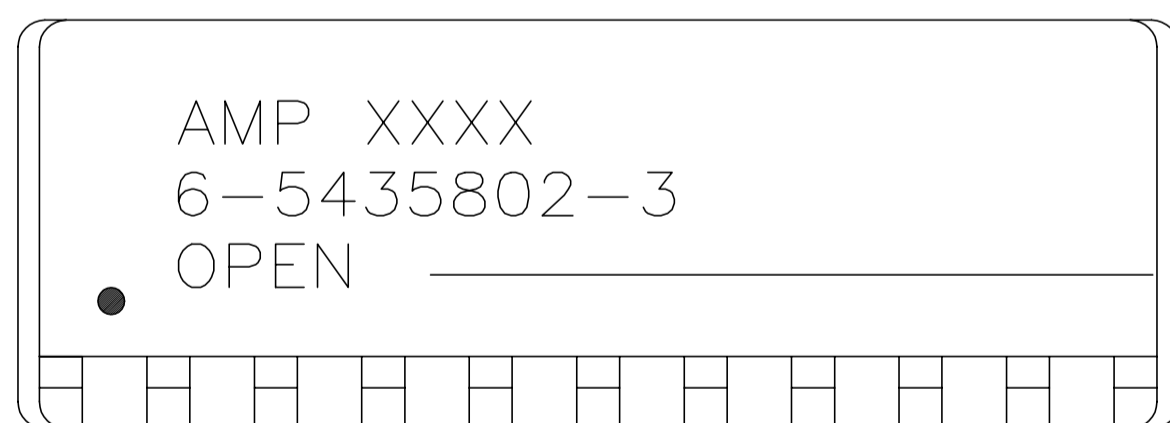


FIG 7

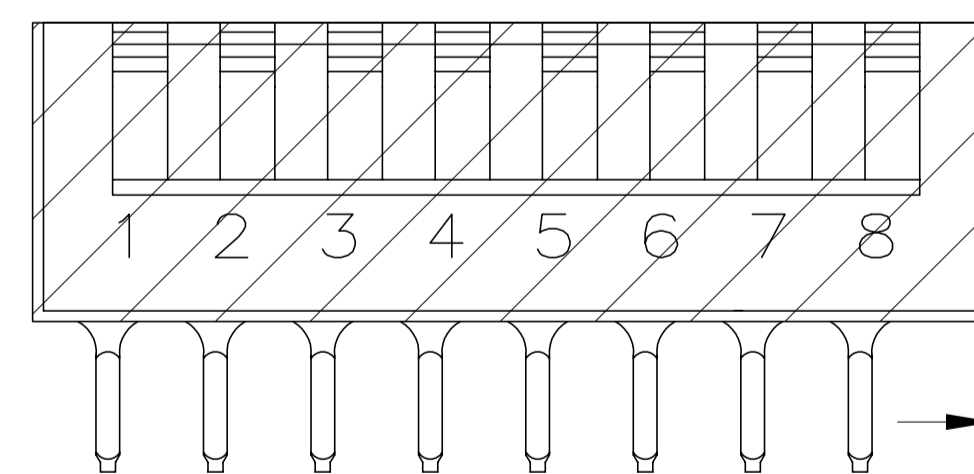


FIG 8

THIS DRAWING IS A CONTROLLED DOCUMENT.		DWN R. TALLEY 19-9-89	TE Connectivity Ltd.																			
DIMENSIONS: INCHES		CHK R. MILLER 19-9-89																				
TOLERANCES UNLESS OTHERWISE SPECIFIED:		APVD H. LEITER 19-9-89	NAME SWITCH ASSY, DIP, TYPE C, 7000 SERIES, SPST, SIDE ACTUATED																			
<table border="0"> <tr><td>0 PLC</td><td>±</td><td>-</td></tr> <tr><td>1 PLC</td><td>±</td><td>-</td></tr> <tr><td>2 PLC</td><td>±</td><td>-</td></tr> <tr><td>3 PLC</td><td>±</td><td>.005</td></tr> <tr><td>4 PLC</td><td>±</td><td>-</td></tr> <tr><td>ANGLES</td><td>±</td><td>-</td></tr> </table>		0 PLC	±	-	1 PLC	±	-	2 PLC	±	-	3 PLC	±	.005	4 PLC	±	-	ANGLES	±	-	PRODUCT SPEC	RESTRICTED TO	
0 PLC	±	-																				
1 PLC	±	-																				
2 PLC	±	-																				
3 PLC	±	.005																				
4 PLC	±	-																				
ANGLES	±	-																				
MATERIAL SEE SHEET 1	FINISH SEE SHEET 1	APPLICATION SPEC	SIZE A2	CAGE CODE 00779	DRAWING NO C=5435802																	
CUSTOMER DRAWING		WEIGHT -	SCALE 4:1	SHEET 2 OF 2	REV C																	