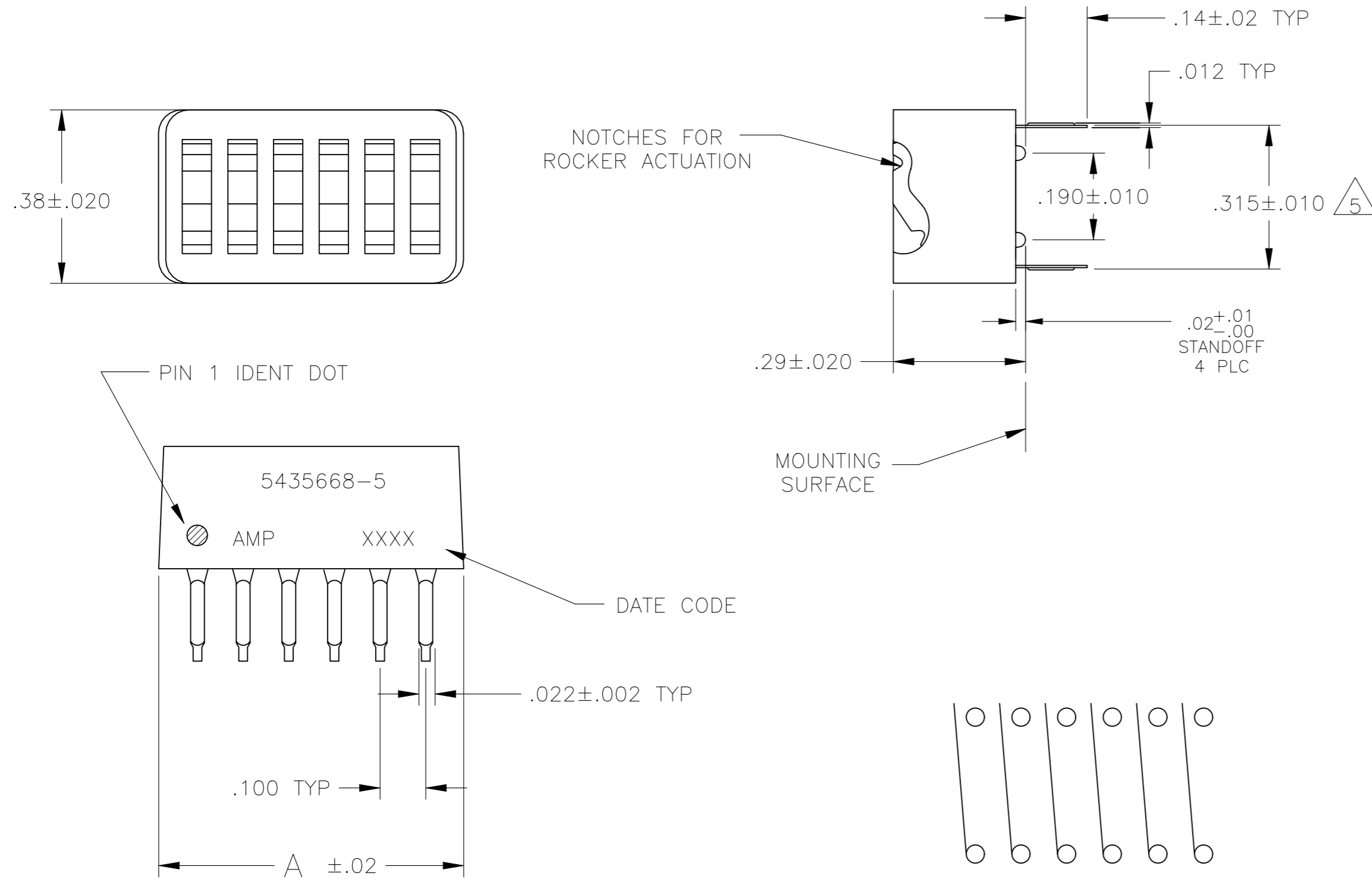


REVISIONS					
P	LTR	DESCRIPTION	DATE	DWN	APVD
B1		ECR-22-141847	20JUN2022	LP	DM



- FOR ADDITIONAL SPECIFICATIONS SEE AMP PRODUCT SPEC 108-7532.
- SWITCH SHOWN IN OPEN POSITION.
- ALL CHARACTERS AND ROCKERS ARE WHITE, HOUSING IS BLUE.
- LASER MARKING WILL VARY ON 2 AND 3 POSITION SIDES DUE TO SPACE RESTRICTIONS.
- .315 DIMENSION APPLIES AT TERMINAL TIPS. TERMINALS ARE .300 +.010 AT MOUNTING SURFACE. -.000
- ALL MATERIALS AND FINISHES SHALL COMPLY WITH EU DIRECTIVE 2002 /95/EC OF 27JAN2003 (ROHS).
- MATERIAL: HOUSING AND ROCKERS - POLYESTER CONTACT & SOLDER LEAD - COPPER ALLOY
- FINISH: CONTACT - GOLD OVER NICKEL SOLDER LEAD - TIN OVER NICKEL
- OBSOLETE PARTS: OBSOLETE CIS STREAMLINING PER D.RENAUD/D.SINISI
- MARKS WILL BE ADDED BY LASER MARK PROCESS.

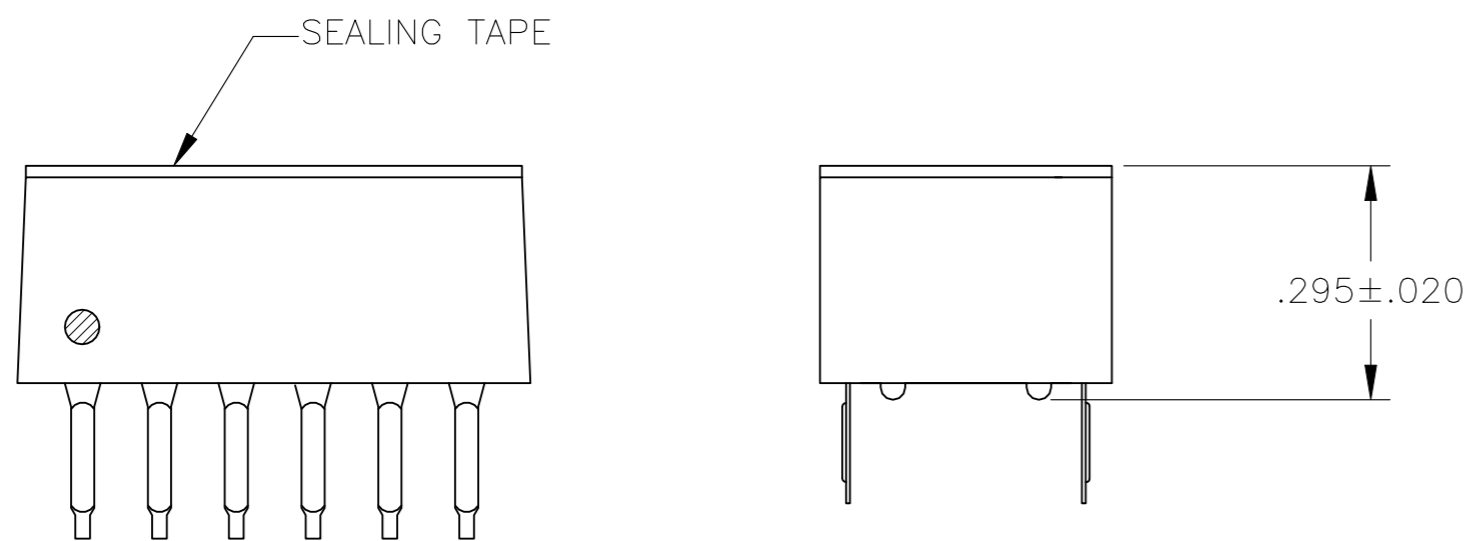
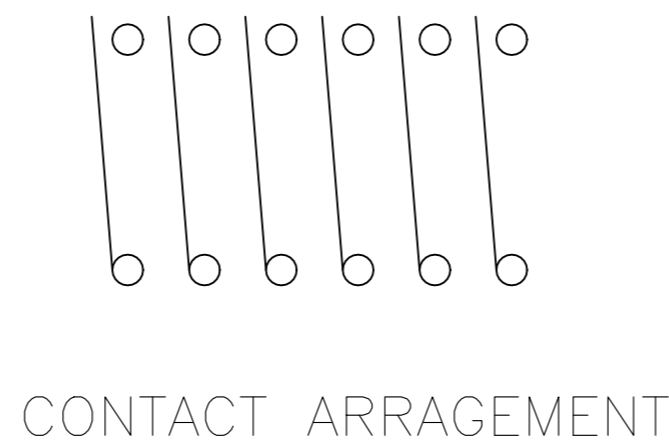
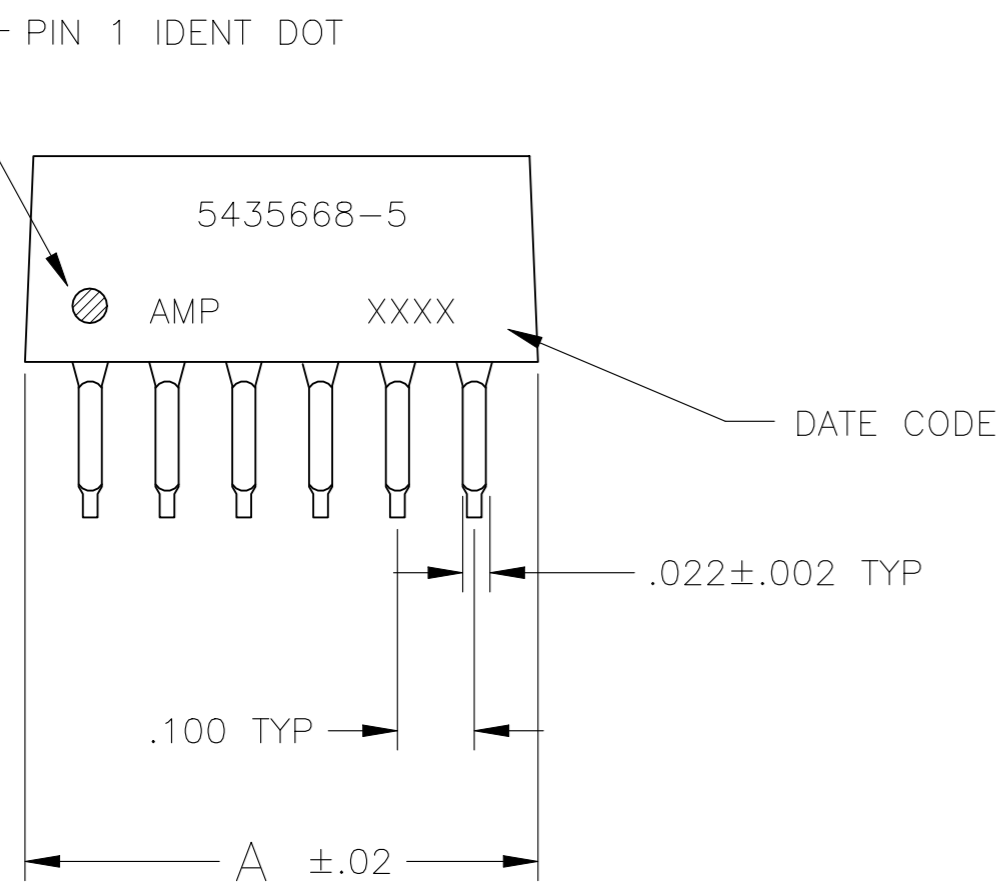


FIG 1

FIG	DESCRIPTION	QTY	UNIT	REF	DATE	BY	APP
9	OBSOLETE	FIG 7	—	.58	5	8-5435668-7	
				.58	5	3-5435668-5	
				.48	4	3-5435668-4	
				.38	3	3-5435668-3	
9	OBSOLETE	FIG 1	FIG 2	1.28	12	3-5435668-2	
9	OBSOLETE			1.18	11	3-5435668-1	
				1.08	10	3-5435668-0	
				.98	9	2-5435668-9	
				.88	8	2-5435668-8	
				.78	7	2-5435668-7	
				.28	2	2-5435668-6	
				.68	6	2-5435668-5	
				1.08	10	5435668-9	
				.88	8	5435668-7	
		.68	6	5435668-5			
		.58	5	5435668-4			
		.48	4	5435668-3			
9	OBSOLETE			.28	2	5435668-1	

THIS DRAWING IS A CONTROLLED DOCUMENT.		DWN	OBJAN05	TE Connectivity Ltd.	
		BSV			
		CHK			
		APVD			
		PRODUCT SPEC			
		APPLICATION SPEC			
		WEIGHT			
		CUSTOMER DRAWING			
DIMENSIONS: INCHES		TOLERANCES UNLESS OTHERWISE SPECIFIED:		NAME	
0 PLC ± -		1 PLC ± -		SIZE	
2 PLC ± -		3 PLC ± .005		CAGE CODE	
4 PLC ± -		ANGLES ± -		DRAWING NO	
FINISH		FINISH		RESTRICTED TO	
7		8		A2 00779 C=5435668	
				SCALE 4:1 SHEET 1 OF 2 REV B1	

REVISIONS

P	LTR	DESCRIPTION	DATE	DWN	APVD
-	-	SEE SHEET 1	-	-	-

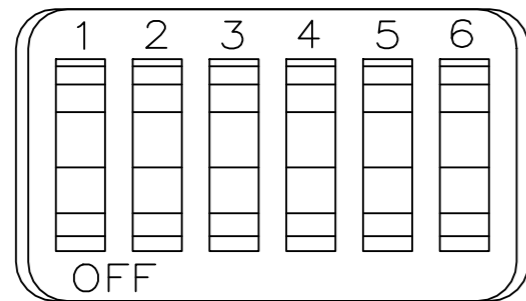


FIG 2

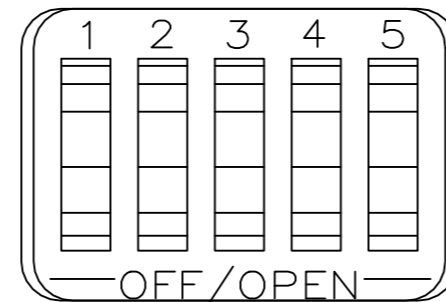


FIG 7

5435668

THIS DRAWING IS A CONTROLLED DOCUMENT.		DWN	08JAN05	TE Connectivity Ltd.	
		BSV	-		
DIMENSIONS: INCHES		CHK	-	NAME SWITCH ASSY, DIP, TYPE C, 7100 SERIES, SPST, LOW PROFILE	
		APVD	-		
TOLERANCES UNLESS OTHERWISE SPECIFIED:		PRODUCT SPEC	-	SIZE A2	
0 PLC ± -		APPLICATION SPEC	-		
1 PLC ± -		WEIGHT	-	CAGE CODE	00779
2 PLC ± -		DRAWING NO		DRAWING NO	C=5435668
3 PLC ± .005		RESTRICTED TO		SCALE	4:1
4 PLC ± -		CUSTOMER DRAWING		SHEET	2 of 2
ANGLES ± -		REV		B1	
MATERIAL	-				
FINISH	-				