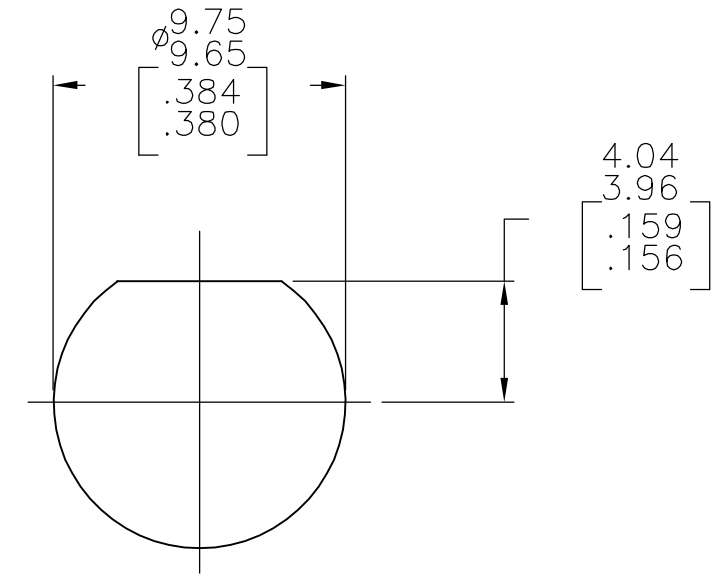
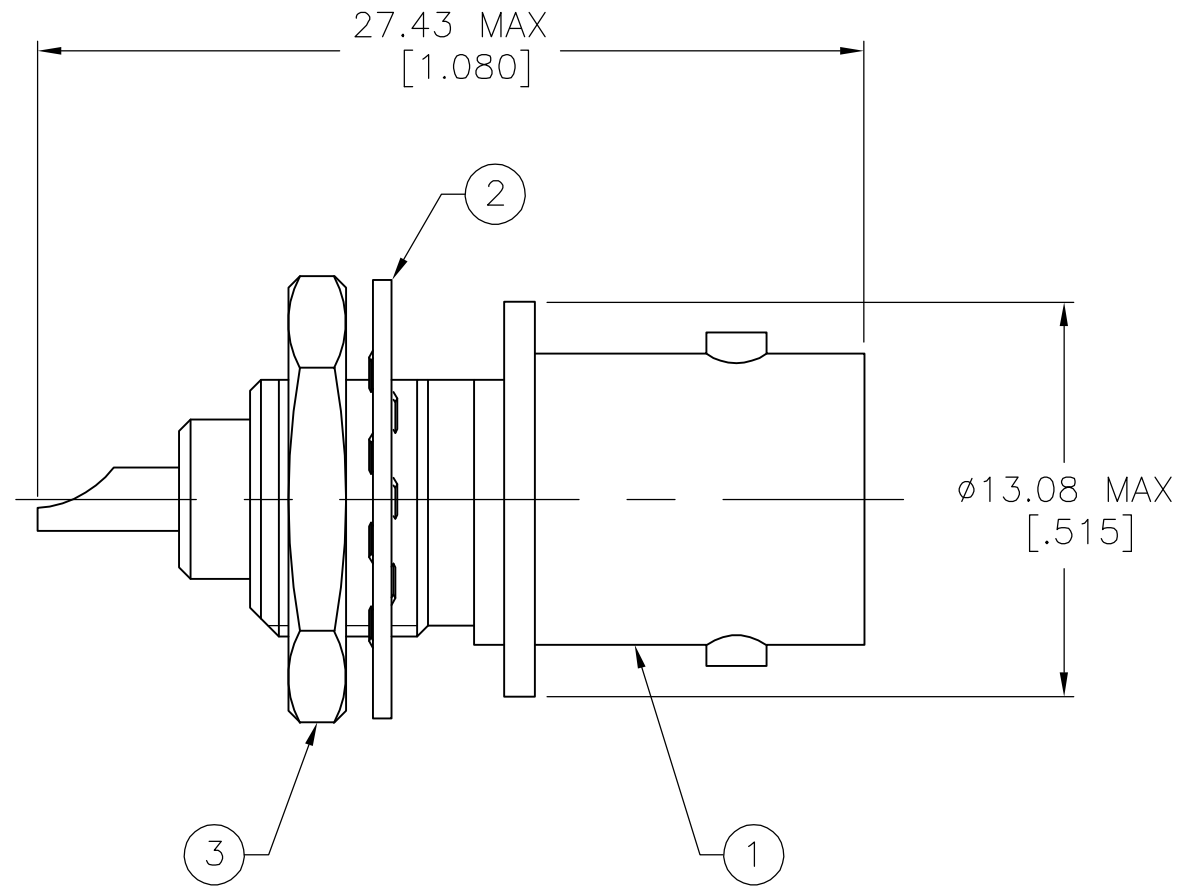


THIS DRAWING IS UNPUBLISHED. RELEASED FOR PUBLICATION
 © COPYRIGHT - BY TYCO ELECTRONICS CORPORATION. ALL RIGHTS RESERVED.

LOC	DIST	REVISIONS			
P	LTR	DESCRIPTION	DATE	DWN	APVD
AJ	16	A	REVISED PER ECO-05-009546	11OCT05	BM JL

1. SEE I.S. 408-9086.



RECOMMENDED PANEL CUTOUT

1-330249-1	1-329492-1	221245-1	5415187-1
③ JAM NUT QTY=1	② LOCKWASHER QTY=1	① JACK ASSY QTY=1	PART NUMBER

THIS DRAWING IS A CONTROLLED DOCUMENT.		DWN B. MCMASTER 12JULY05	Tyco Electronics Corporation Harrisburg, PA 17105-3608	
DIMENSIONS: mm [INCHES]		CHK J. LIPPERT 12JULY05		
TOLERANCES UNLESS OTHERWISE SPECIFIED:		APVD J. LIPPERT 12JULY05	NAME SOLDER, JACK 75 OHM, SERIES BNC	
0 PLC ± - 1 PLC ± - 2 PLC ± - 3 PLC ± - 4 PLC ± - ANGLES ± -		PRODUCT SPEC 108-12079	RESTRICTED TO	
MATERIAL		APPLICATION SPEC	SIZE A3	CAGE CODE
FINISH		WEIGHT	DRAWING NO C=5415187	SCALE 4:1
		CUSTOMER DRAWING	SHEET 1 of 1	REV A