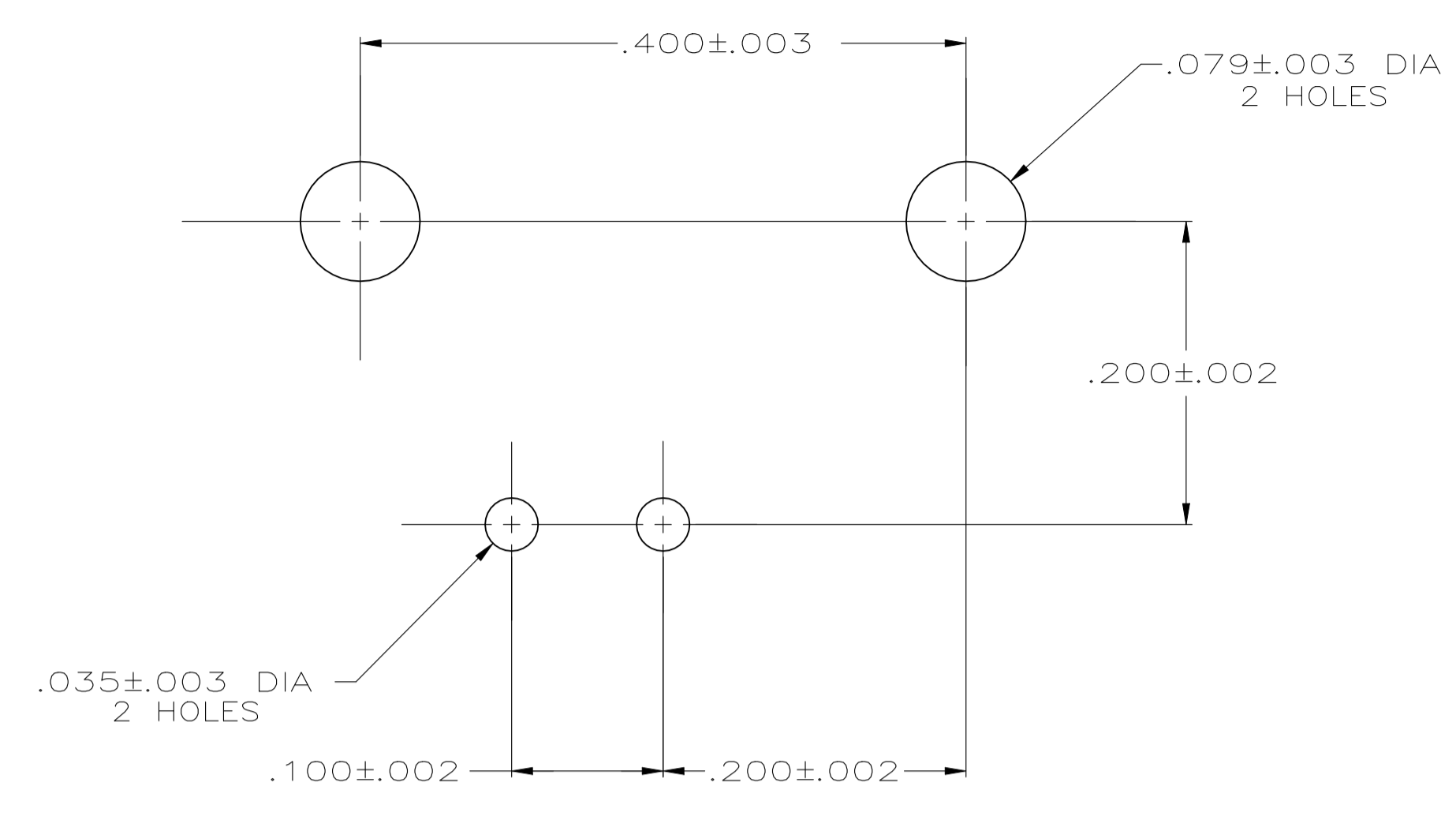
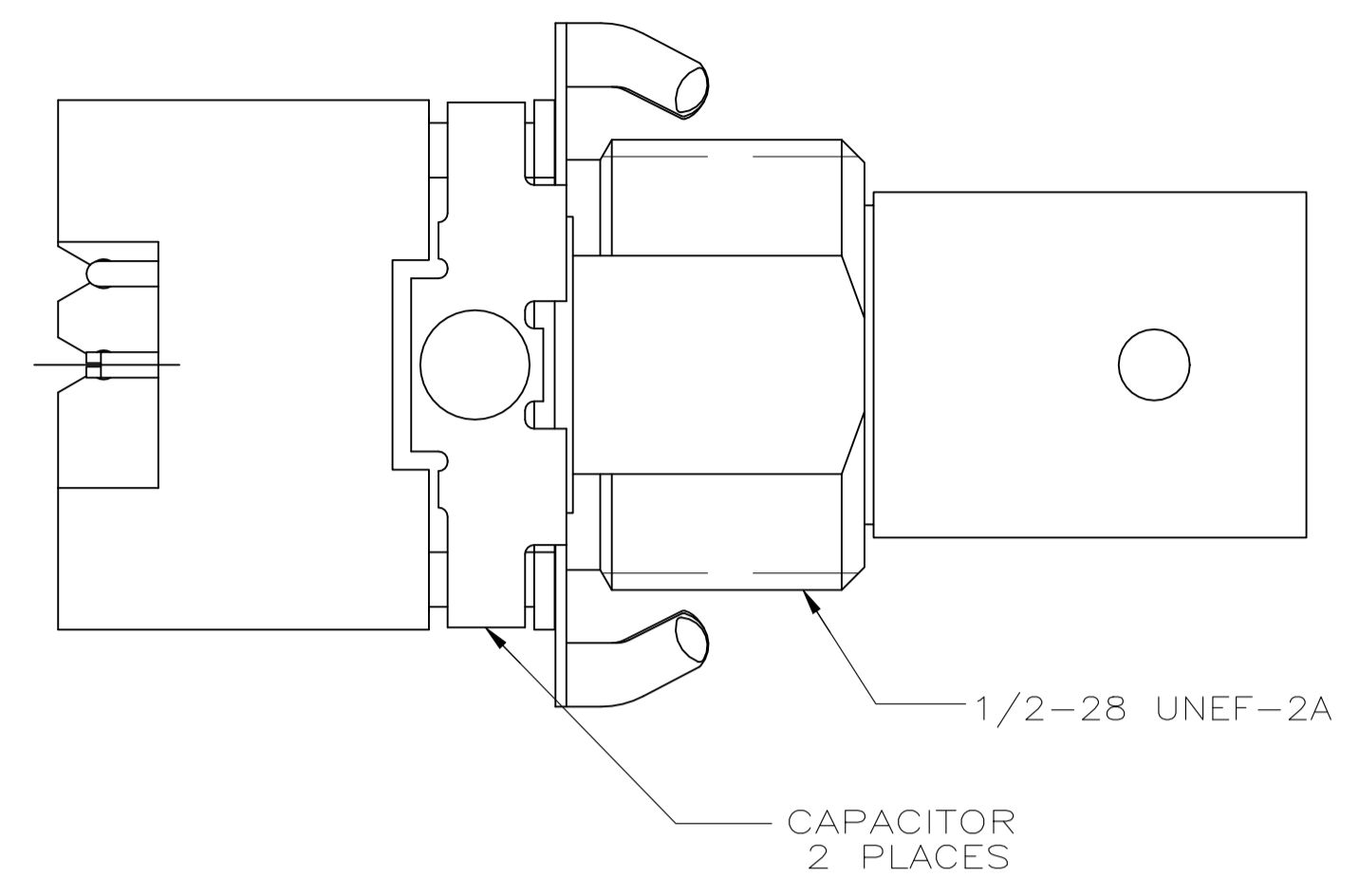


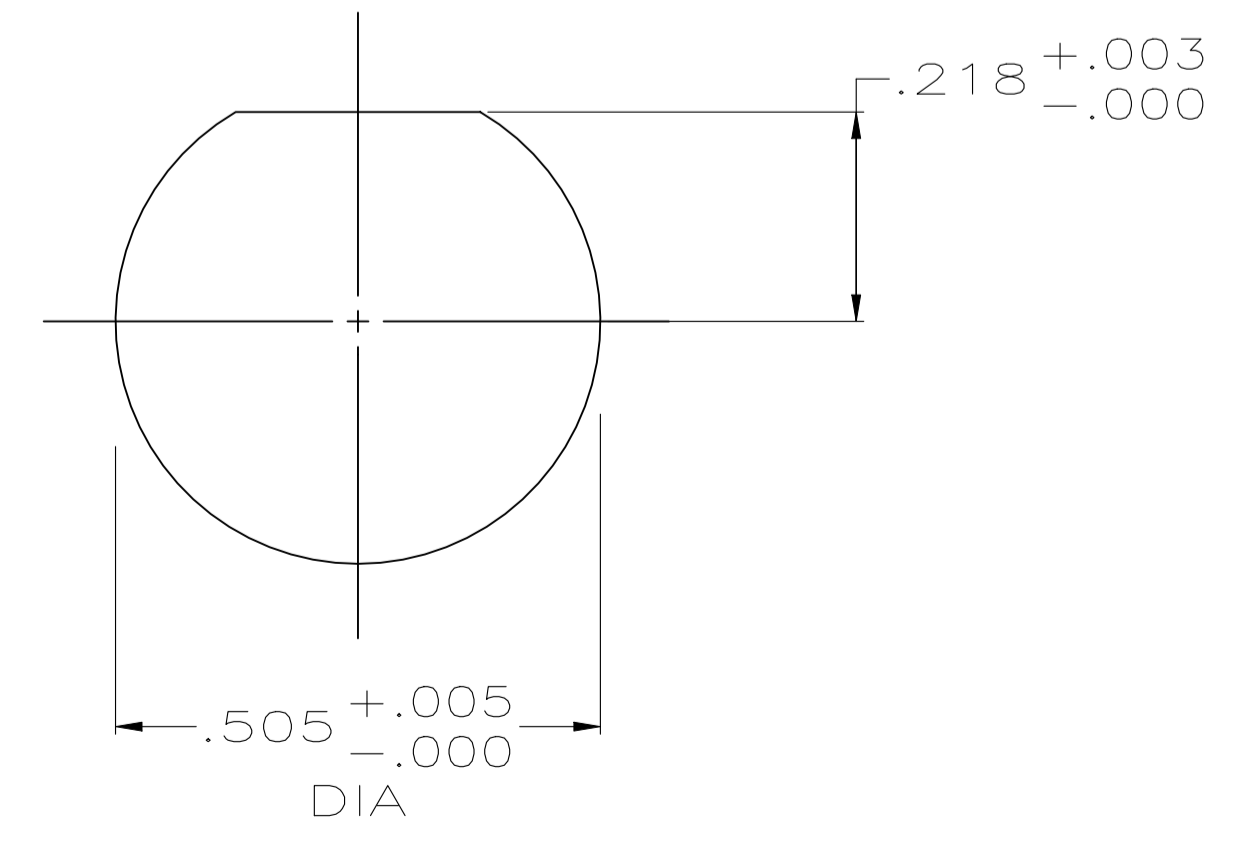
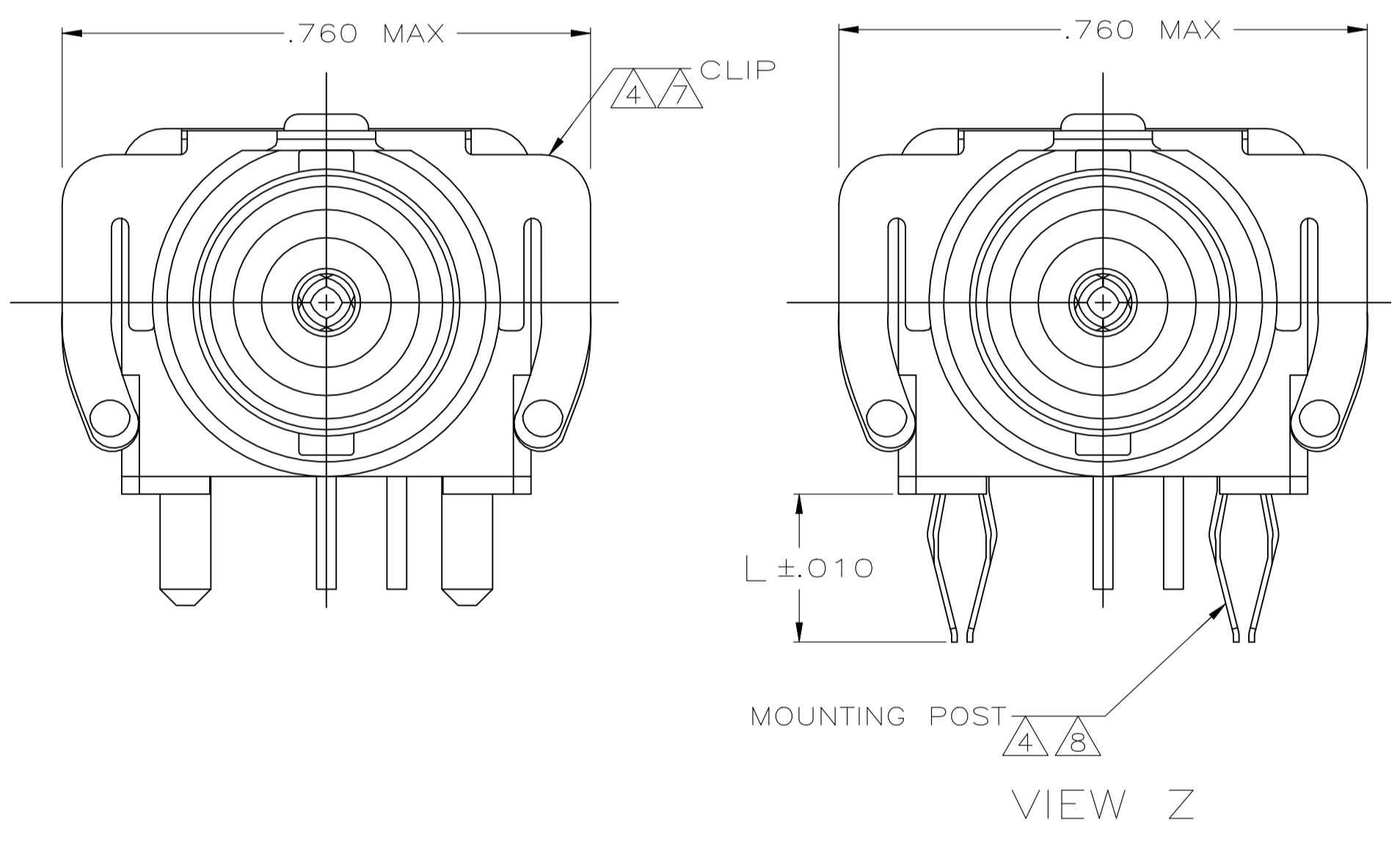
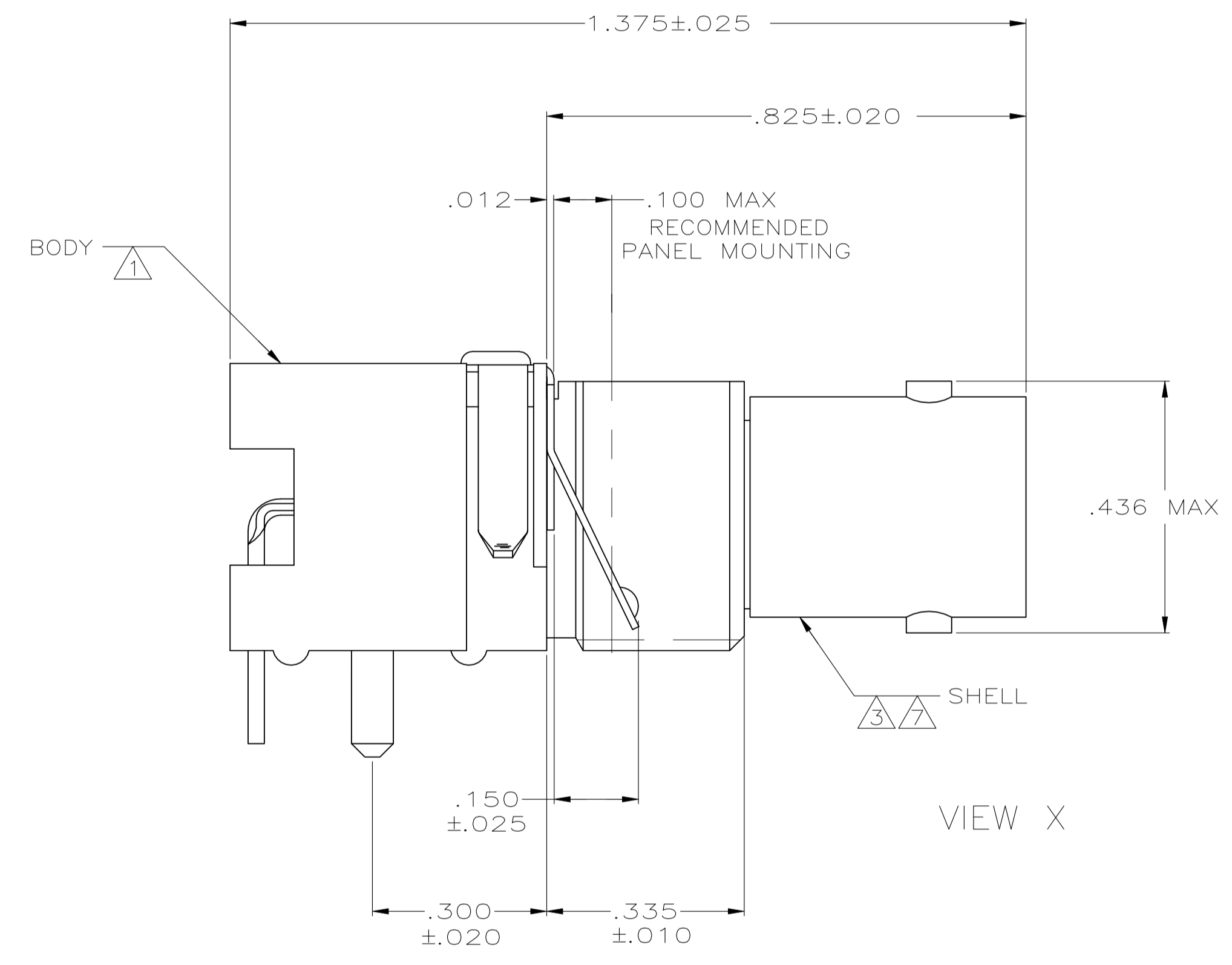
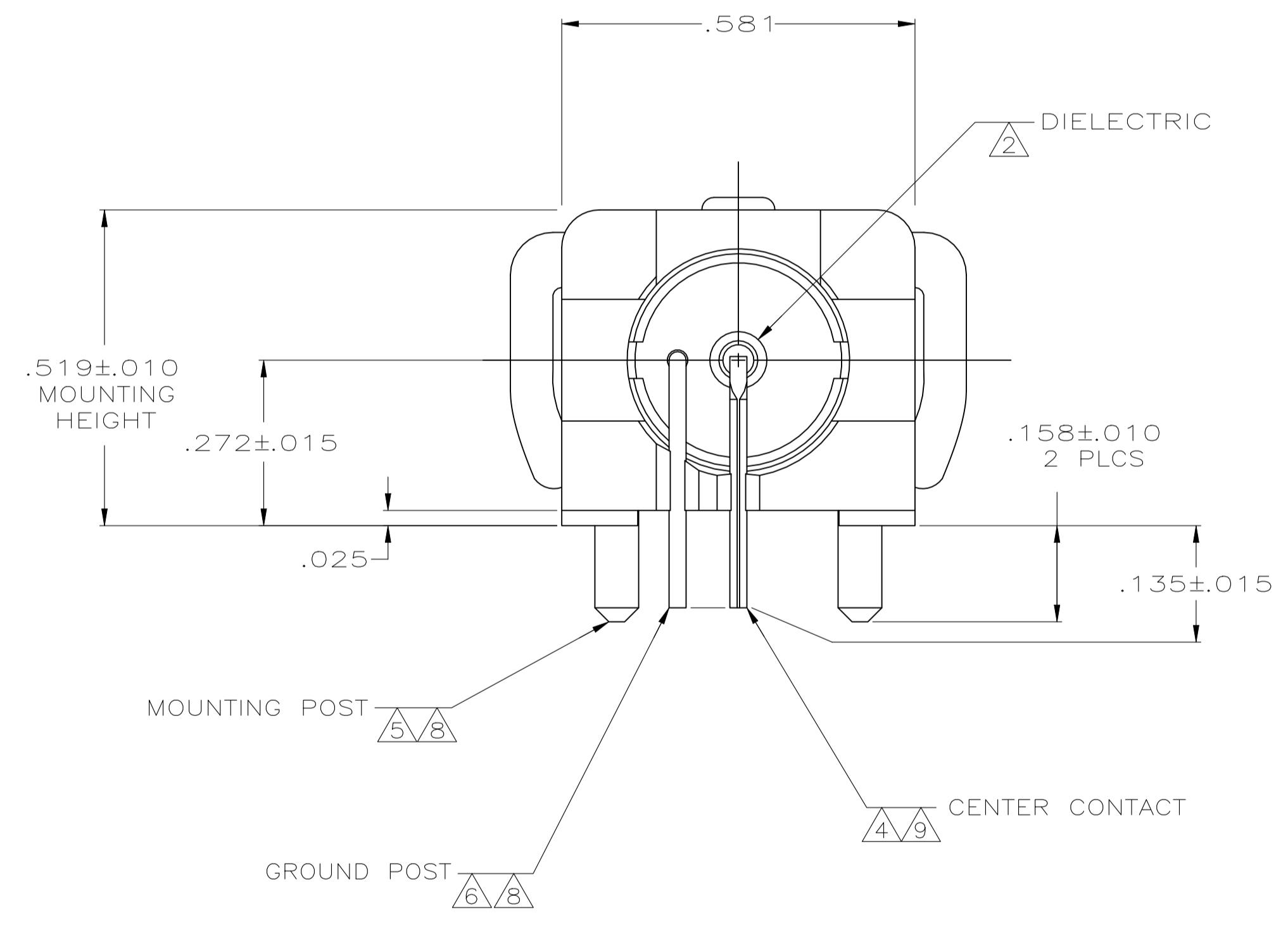
REVISIONS				
P	LTR	DESCRIPTION	DATE	BY
C6		ECR-23-187177	15SEP	SS



P.C.B. CONFIGURATION  
SCALE=10:1



- 1 POLYESTER, PBT, BLACK, PER MIL-M-24519.
- 2 POLYMETHYLPENTENE GENERAL PURPOSE.
- 3 ZINC PER QQ-Z-363.
- 4 PHOSPHOR BRONZE PER QQ-B-750.
- 5 BRASS PER QQ-B-626.
- 6 BRASS PER ASTM-B-453.
- 7 NICKEL PL PER QQ-N-290.
- 8 TIN PLATE PER ASTM-B-545.
- 9 SELECTIVELY GOLD PLATED ON INTERFACE AREA PER MIL-G-45204, .000030 THK, TIN PLATED ON SOLDER TAIL PER ASTM-B-545, ALL OVER NICKEL PL PER QQ-N-290.
- 10 TRAY PACKAGING.
- 11 OBSOLETE PARTS: OBSOLETE CIS STREAMLINING PER D.RENAUD/D.SINISI



RECOMMENDED PANEL CUTOUT

REV	DESCRIPTION	DATE	BY
11	OBSOLETE	-	-
10	OBSOLETE	-	-
9	OBSOLETE	-	-
8	OBSOLETE	-	-
7	OBSOLETE	-	-
6	OBSOLETE	-	-
5	OBSOLETE	-	-
4	OBSOLETE	-	-
3	OBSOLETE	-	-
2	OBSOLETE	-	-
1	OBSOLETE	-	-

THIS DRAWING IS A CONTROLLED DOCUMENT.		DIN L VARELA - 22APR2005		TE Connectivity	
DIMENSIONS: INCHES		TOLERANCES UNLESS OTHERWISE SPECIFIED:			
		0 PLC ± - 1 PLC ± - 2 PLC ± - 3 PLC ± .008 4 PLC ± - ANGLES ± -		CDRK J. HAVENER 22APR2005 APVD J. LIPPERT 22APR2005 NAME PRODUCT SPEC 108-1269 APPLICATION SPEC	
MATERIAL THRU FINISH		WEIGHT 0.000000		SIZE CAGE CODE DRAWING NO A1 00779 C=5413515 RESTRICTED TO	
1 6 7 8 9		CUSTOMER DRAWING		SCALE 4:1 SHEET 1 of 1 REV C6	